



LP8 440 Free Standing Dishwasher with a capacity for 10 cutlery and 6 washing programs in 45cm



Eco Function

DESCRIPTION

Free Standing Dishwasher with a capacity for 10 cutlery and 6 washing programs in 45cm

LIFE STYLE

Maestro

COLOURS



REFERENCE

REF. 40782341
EAN. 8421152119730

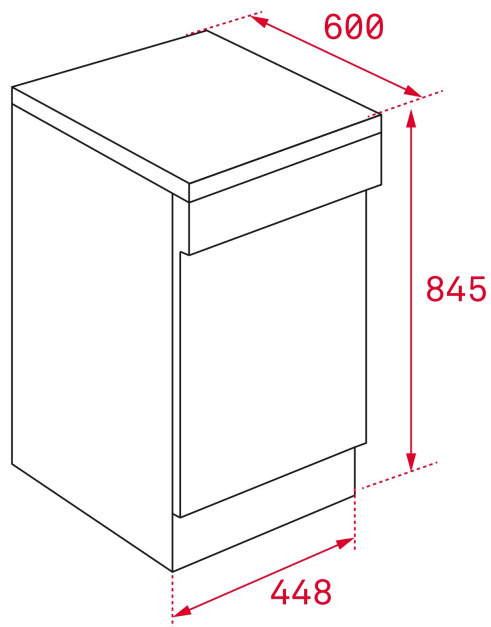


TEKA

LP8 440

FEATURES

Free standing dishwasher
Electronic control panel
LED display
Place Settings : 10
Washing programs : 6
Washing temperatures : 40°, 50°,
55°, 60°, 65°C
Full Aquastop
Delay timer 1-24h
Half load program
Automatic adjustable upper basket
Fast program 40 minutes
Eco program
Indicator pilots for : On-off, lack of salt,
rinse aid and program status
Noise level Db(A): 49
Power supply : 220/240V -50 Hz



DIMENSIONS

Product height (mm): 845
Product width (mm): 448
Product depth (mm): 600
Product length (mm):
Net weight (Kg): 33

TECH SPECS

PRODUCT SHEET

Capacity (Place Settings): 10
Energy consumption (kWh/year): 211
Power consumption (Kwh): 0,75
Water consumption (litres/year): 2520
Water consumption (litres): 9
Standard program: ECO
Standard cycle duration (minutes): 190
Noise level (dB): 49

POWER SUPPLY

Frequency (Hz): 50
Power rate (V): 220-240
Power rate (W): 1760-2100
Maximum Nominal Power (W): 2100

PARTICULAR CHARACTERISITICS

Type of installation: Free standing
Number of programs: 6
Number Of Washing Temperatures: 5
Water softener: Yes
Microfilter: Yes

SECURITY SYSTEM**Aquastop:** Yes**CONTROL INDICATOR LIGHTS****Low Salt Aid indicator:** Yes**Low Rinse Aid indicator:** Yes**Remaining time:** Yes**End of program acoustic alarm:** Yes**End of program visual alarm:** Yes**SPECIAL FUNCTIONS****Fast program (minutes):** 30**Economic program:** Yes**Half load:** Yes**Delayed Timer (h):** 24**EQUIPMENT****Adjustable Feet Back:** Yes**Adjustable feet front:** Yes**PRODUCT INFORMATION
SHEET (UE) 2019/2014****Supplier name or trademark:** TEKA**Supplier's address:** C/Cajo, 17, 39011, Santander , Spain**Model identifier:** LP8 440**Height (cm):** 84,5**Width (cm):** 44,8**Depth (cm):** 60**Additional information:**

Weblink to the supplier's website, where the information in point 6 of Annex II to Commission Regulation (EU) 2019/2022 (1) (b) is found:

(a) for the eco programme.

(b) changes to these items shall not be considered relevant for the purposes of paragraph 4 of Article 4 of Regulation (EU) 2017/1369.

(c) if the product database automatically generates the definitive content of this cell the supplier shall not enter these data.

