



TKS2 650 7kg Free Standing Dryer with humidity control



Quick Cycle



Washing
capacity: 7Kg

DESCRIPTION

7kg Free Standing Dryer with humidity control

LIFE STYLE

Easy

COLOURS



REFERENCE

REF. 40851110
EAN. 8421152087329

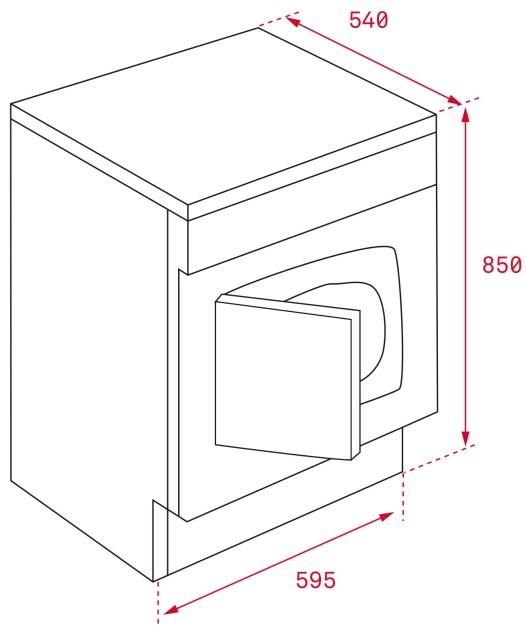


TEKA

TKS2 650

FEATURES

Free standing dryer
Vented dryer
15 programmes
Drying capacity : 7 kg
Electronic control panel
Humidity sensor
Easy ironing program
Delicate clothing program clothing program
Drying time selector
Bi-directional rotation
Removable filter with saturation level indicator
Energy Class : C



DIMENSIONS

Product height (mm): 850

Product width (mm): 595

Product depth (mm): 540

Product length (mm):

Net weight (Kg): 30000

TECH SPECS

PRODUCT SHEET

Type of load: FRONT

Type of installation: Free standing

Drying capacity (Kgs): 7

Certificates: CE, VDE

POWER SUPPLY

Frequency (Hz): 50

Power rate (V): 230

Maximum Nominal Power (W): 2200

Nominal power motor (W): 230

Power of heating element (W): 2000

PARTICULAR CHARACTERISTICS

Number of programs: 15

Control panel: PL 2-H LED

Electronic washing management: Yes

Bidirectional rotation: Yes

Reversible door: Yes

SPECIAL FUNCTIONS

Fast program: Yes
Fast program (minutes): 10,20,40,60
Delicate fabrics: Yes
Easy ironing/anti crease: Yes

EQUIPMENT

Adjustable feet front: Yes

PRODUCT INFORMATION SHEET (UE) 2019/2014

Supplier's name or trade mark :
Supplier's address :
Model identifier :

General product parameters

Rated capacity for the eco 40-60 programme (Kg) :

Dimensions (cm)

Height :

Width :

Depth:

Consumption and efficiency

Energy Efficiency Index (a):

Energy efficiency class (a):

Washing efficiency index (a):

Rinsing effectiveness (g/kg) (a):

Energy consumption in kWh per cycle, based on the eco 40-60 programme. Actual energy consumption will depend on how the appliance is used.:

Water consumption in litre per cycle, based on the eco 40-60 programme. Actual water consumption will depend on how the appliance is used and on the hardness of the water.:

Maximum temperature inside the treated textile (a) (°C)

Rated capacity:

Half capacity:

Quarter capacity:

Remaining moisture content (a) (%)

Rated capacity:

Half:

Quarter:

Spin speed (a) (rpm)

Rated capacity:

Half:

Quarter:

Spin-drying efficiency class (a):

Eco 40-60 programme duration (a) (h:min)

Rated capacity:

Half:

Quarter:

Other

Type:

Airborne acoustical noise emissions in the spinning phase (a) (dB(A) re 1 pW):

Airborne acoustical noise emission class (a) (spinning phase):

Off-mode (W):

Standby mode (W):

Delay start (W) (if applicable):

**TECHNICAL DOCUMENTATION
(UE) 2019/2014**

Networked standby (W) (if applicable):

Minimum duration of the guarantee offered by the supplier (b):

This product has been designed to release silver ions during the washing cycle YES/NO:

Additional information:

Weblink to the supplier's website, where the information in point 9 of Annex II to Commission Regulation (EU) 2019/2023 (1) (b) is found:

(a) for the eco 40-60 programme.

(b) changes to these items shall not be considered relevant for the purposes of paragraph 4 of Article 4 of Regulation (EU) 2017/1369.

(c) if the product database automatically generates the definitive content of this cell the supplier shall not enter these data.

Rated capacity for the eco 40-60 programme, at 0,5 kg intervals (c):

Energy consumption of the eco 40-60 programme at rated capacity (EW,full):

Energy consumption of the eco 40-60 programme at half rated capacity (EW,1/2):

Energy consumption of the eco 40-60 programme at quarter rated capacity (EW,1/4):

Weighted energy consumption of the eco 40-60 programme (EW):

Standard energy consumption of the eco 40-60 programme (SCEW):

Energy Efficiency Index (EEIW):

Water consumption of the eco 40-60 programme at rated capacity (WW,full):

Water consumption of the eco 40-60 programme at half rated capacity (WW,1/2):

Water consumption of the eco 40-60 programme at quarter rated capacity (WW,1/4):

Weighted water consumption (WW):

Washing efficiency index of the eco 40-60 programme at rated capacity (Iw):

Washing efficiency index of the eco 40-60 programme at half rated capacity (Iw):

Washing efficiency index of the eco 40-60 programme at quarter rated capacity (Iw):

Rinsing effectiveness of the eco 40-60 programme at rated capacity (IR):

Rinsing effectiveness of the eco 40-60 programme at half rated capacity (IR):

Rinsing effectiveness of the eco 40-60 programme at quarter rated capacity (IR):

Programme duration of the eco 40-60 programme at rated capacity (tw):

Programme duration of the eco 40-60 programme at half rated capacity (tw):

Programme duration of the eco 40-60 programme at quarter rated capacity (tw):

Temperature reached for minimum 5 min inside the load during eco 40-60 programme at rated capacity (T):

Temperature reached for minimum 5 min inside the load during eco 40-60 programme at half rated capacity (T):

Temperature reached for minimum 5 min inside the load during eco 40-60 programme at quarter rated capacity (T):

Spin speed in the spinning phase of the eco 40-60 programme at rated capacity (S):

Spin speed in the spinning phase of the eco 40-60 programme at half rated capacity (S):

Spin speed in the spinning phase of the eco 40-60 programme at quarter rated capacity (S):

Remaining moisture content for the eco 40-60 programme at rated capacity (Dfull):

Remaining moisture content for the eco 40-60 programme at half rated capacity (D1/2):

Remaining moisture content for the eco 40-60 programme at quarter rated capacity (D1/4):

Weighted remaining moisture content (D):

Airborne acoustical noise emissions during eco 40-60 programme (spinning phase):

Power consumption in 'off mode' (Po):

Power consumption in 'standby mode' (Psm):

Does 'standby mode' include the display of information?

YES/NO:

Power consumption in 'standby mode' (Psm) in condition of networked standby (if applicable):

Power consumption in 'delay start' (Pds) (if applicable):

Additional information:

(c) where appropriate, the references of the harmonised standards applied;

(d) where appropriate, the other technical standards and specifications used;

(e) the details and the results of calculations performed in accordance with Annex IV;

(f) a list of all equivalent models including the model identifier.



TKS2 650

ENERGY LABEL

