



TKD 1270 7kg Free Standing Washing Machine



Hand Wash



Quick Cycle



Washing
capacity: 7Kg

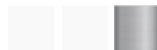
DESCRIPTION

7kg Free Standing Washing Machine

LIFE STYLE

Maestro

COLOURS

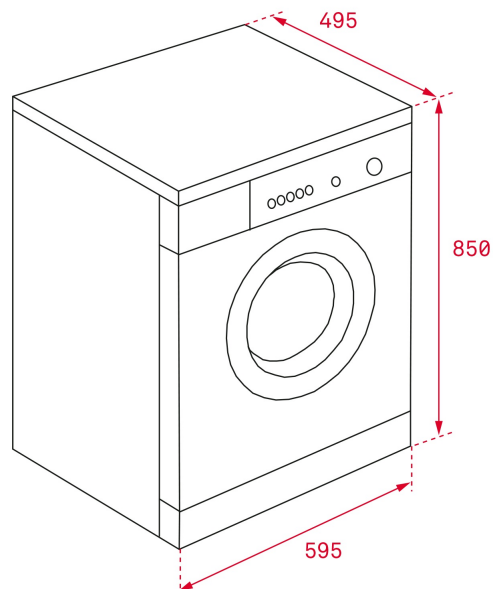


REFERENCE

REF. 40874301
EAN. 8421152131640

FEATURES

Free standing washing machine
Washing capacity: 7 Kg
16 washing programs
Maximum spin speed: 1200 r.p.m
Electronic control panel
LCD display
Electronic washing management (Fuzzy Logic)
Fast program 15 minutes
My Cycle program
Special programs: wool, children's clothing and 15'
Delay timer 1-24h
Balance control system
Locking system in case of lack of water or electricity
Foam control system
32 cm wide porthole
Function buttons for: on/off, program selector, delay programming, temperature, spinning exclusion and special functions
/B

TEKA**TKD 1270**

DIMENSIONS

Product height (mm): 850

Product width (mm): 595

Product depth (mm): 495

Product length (mm):

Net weight (Kg): 61

TECH SPECS

PRODUCT SHEET

Type of load: Front

Type of installation: Free standing

Washing capacity (Kgs): 7

Energy consumption (kWh/year): 175

Water consumption (litres/year): 10000

Maximum spinning speed (RPM): 1200

Certificates: CE + Reach + ERP

POWER SUPPLY

Frequency (Hz): 50

Power rate (V): 220-240

Maximum Nominal Power (W): 2050

Nominal power motor (W): 450

Power of heating element (W): 1800

PARTICULAR CHARACTERISTICS

Stainless Steel Drum: Yes

Glass door diameter (cms): 32

Number of programs: 16

Number Of Washing Temperatures: 6

Control panel: ELECTRONIC

CONTROL INDICATOR LIGHTS

Electronic washing management: Yes

Child lock: Yes

Auto lock door: Yes

Cancel spin cycle button: Yes

Selected program indicator: Yes

Remaining time: Yes

SPECIAL FUNCTIONS

Fast program: Yes

Fast program (minutes): 15

Economic program: Yes

Intense program: Yes

Delayed Timer (h): 1-24

Extra rinse: Yes

Delicate fabrics: Yes

Quick Wash: Yes

EQUIPMENT

Adjustable Feet Back: Yes

Adjustable feet front: Yes

PRODUCT INFORMATION SHEET (UE) 2019/2014

Supplier's name or trade mark :

Supplier's address : C/Cajo, 17, 39011, Santander , Spain

Model identifier : TKD 1270

General product parameters

Rated capacity for the eco 40-60 programme (Kg) :

Dimensions (cm)

Height : 85

Width : 59,5

Depth: 49,5

Consumption and efficiency

Energy Efficiency Index (a):

Energy efficiency class (a):

Washing efficiency index (a):

Rinsing effectiveness (g/kg) (a):

Energy consumption in kWh per cycle, based on the eco 40-60 programme. Actual energy consumption will depend on how the appliance is used.:

Water consumption in litre per cycle, based on the eco 40-60 programme. Actual water consumption will depend on how the appliance is used and on the hardness of the water.:

Maximum temperature inside the treated textile (a) (°C)

Rated capacity:

Half capacity:

Quarter capacity:

Remaining moisture content (a) (%)

Rated capacity:

Half:

Quarter:

Spin speed (a) (rpm)

Rated capacity:

Half:

Quarter:

Spin-drying efficiency class (a):

Eco 40-60 programme duration (a) (h:min)

Rated capacity:**Half:****Quarter:****Other****Type:****Airborne acoustical noise emissions in the spinning phase (a) (dB(A) re 1 pW):****Airborne acoustical noise emission class (a) (spinning phase):****Off-mode (W):****Standby mode (W):****Delay start (W) (if applicable):****Networked standby (W) (if applicable):****Minimum duration of the guarantee offered by the supplier (b):****This product has been designed to release silver ions during the washing cycle YES/NO:****Additional information:**

Weblink to the supplier's website, where the information in point 9 of Annex II to Commission Regulation (EU) 2019/2023 (1) (b) is found:

(a) for the eco 40-60 programme.

(b) changes to these items shall not be considered relevant for the purposes of paragraph 4 of Article 4 of Regulation (EU) 2017/1369.

(c) if the product database automatically generates the definitive content of this cell the supplier shall not enter these data.

**TECHNICAL DOCUMENTATION
(UE) 2019/2014****Rated capacity for the eco 40-60 programme, at 0,5 kg intervals (c):****Energy consumption of the eco 40-60 programme at rated capacity (EW,full):****Energy consumption of the eco 40-60 programme at half rated capacity (EW,1/2):****Energy consumption of the eco 40-60 programme at quarter rated capacity (EW,1/4):****Weighted energy consumption of the eco 40-60 programme (EW):****Standard energy consumption of the eco 40-60 programme (SCEW):****Energy Efficiency Index (EEIW):****Water consumption of the eco 40-60 programme at rated capacity (WW,full):****Water consumption of the eco 40-60 programme at half rated capacity (WW,1/2):****Water consumption of the eco 40-60 programme at quarter rated capacity (WW,1/4):****Weighted water consumption (WW):****Washing efficiency index of the eco 40-60 programme at rated capacity (Iw):****Washing efficiency index of the eco 40-60 programme at half rated capacity (Iw):****Washing efficiency index of the eco 40-60 programme at quarter rated capacity (Iw):****Rinsing effectiveness of the eco 40-60 programme at rated capacity (IR):****Rinsing effectiveness of the eco 40-60 programme at half rated capacity (IR):****Rinsing effectiveness of the eco 40-60 programme at quarter rated capacity (IR):****Programme duration of the eco 40-60 programme at rated capacity (tw):**

Programme duration of the eco 40-60 programme at half rated capacity (tw):

Programme duration of the eco 40-60 programme at quarter rated capacity (tw):

Temperature reached for minimum 5 min inside the load during eco 40-60 programme at rated capacity (T):

Temperature reached for minimum 5 min inside the load during eco 40-60 programme at half rated capacity (T):

Temperature reached for minimum 5 min inside the load during eco 40-60 programme at quarter rated capacity (T):

Spin speed in the spinning phase of the eco 40-60 programme at rated capacity (S):

Spin speed in the spinning phase of the eco 40-60 programme at half rated capacity (S):

Spin speed in the spinning phase of the eco 40-60 programme at quarter rated capacity (S):

Remaining moisture content for the eco 40-60 programme at rated capacity (Dfull):

Remaining moisture content for the eco 40-60 programme at half rated capacity (D1/2):

Remaining moisture content for the eco 40-60 programme at quarter rated capacity (D1/4):

Weighted remaining moisture content (D):

Airborne acoustical noise emissions during eco 40-60 programme (spinning phase):

Power consumption in 'off mode' (Po):

Power consumption in 'standby mode' (Psm):

Does 'standby mode' include the display of information?

YES/NO:

Power consumption in 'standby mode' (Psm) in condition of networked standby (if applicable):

Power consumption in 'delay start' (Pds) (if applicable):

Additional information:

(c) where appropriate, the references of the harmonised standards applied;

(d) where appropriate, the other technical standards and specifications used;

(e) the details and the results of calculations performed in accordance with Annex IV;

(f) a list of all equivalent models including the model identifier.

