



**TKD 1480** 8kg Free Standing Washing Machine with Woolmark certification



Woolmark  
Certificate



Hand Wash



Quick Cycle



Washing  
capacity: 8Kg

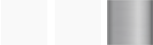
**DESCRIPTION**

8kg Free Standing Washing Machine with Woolmark certification

**LIFE STYLE**

Maestro

**COLOURS**

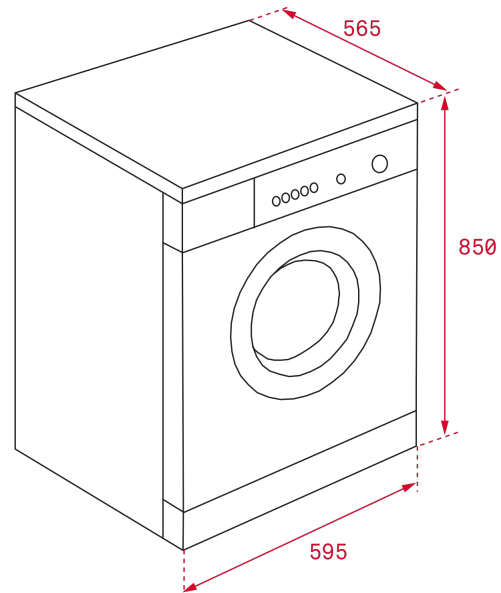


**REFERENCE**

REF. 40874441  
EAN. 8421152131619

**FEATURES**

Free standing washing machine  
Washing capacity: 8 Kg  
Woolmark certification  
16 washing programs  
Electronic control panel  
LCD display  
Maximum spin speed: 1400 r.p.m  
Electronic washing management (Fuzzy Logic)  
Special programs: wool, children's clothing and 15'  
Fast program 15 minutes  
32 cm wide porthole  
Function buttons for: on/off, program selector, delay programming, temperature, spinning exclusion and special functions  
Delay timer 1-24h  
Balance control system  
Locking system in case of lack of water or electricity  
Foam control system  
/B

**TEKA****TKD 1480**

## DIMENSIONS

**Product height (mm):** 850  
**Product width (mm):** 595  
**Product depth (mm):** 565  
**Product length (mm):**  
**Net weight (Kg):** 66

## TECH SPECS

### PRODUCT SHEET

**Type of installation:** Free standing  
**Energy consumption (kWh/year):** 196  
**Water consumption (litres/year):** 11000  
**Certificates:** CE + Reach + ERP

### POWER SUPPLY

**Frequency (Hz):** 50  
**Power rate (V):** 220-240  
**Maximum Nominal Power (W):** 2000  
**Nominal power motor (W):** 500  
**Power of heating element (W):** 1800

### PARTICULAR CHARACTERISTICS

**Stainless Steel Drum:** Yes  
**Glass door diameter (cms):** 32  
**Number of programs:** 16  
**Number Of Washing Temperatures:** 6  
**Control panel:** ELECTRONIC  
**Electronic washing management:** Yes  
**Child lock:** Yes  
**Auto lock door:** Yes

## CONTROL INDICATOR LIGHTS

## SPECIAL FUNCTIONS

## EQUIPMENT

## PRODUCT INFORMATION SHEET (UE) 2019/2014

**Cancel spin cycle button:** Yes

**Selected program indicator:** Yes

**Remaining time:** Yes

**Fast program:** Yes

**Fast program (minutes):** 15

**Economic program:** Yes

**Intense program:** Yes

**Delayed Timer (h):** 1-24

**Extra rinse:** Yes

**Delicate fabrics:** Yes

**Quick Wash:** Yes

**Adjustable Feet Back:** Yes

**Adjustable feet front:** Yes

**Supplier's name or trade mark :** TEKA

**Supplier's address :** C/Cajo, 17, 39011, Santander , Spain

**Model identifier :** TKD 1480

### General product parameters

#### Dimensions (cm)

**Height :** 85

**Width :** 59,5

**Depth:** 56,5

#### Consumption and efficiency

**Maximum temperature inside the treated textile (a) (°C)**

**Remaining moisture content (a) (%)**

**Spin speed (a) (rpm)**

**Eco 40-60 programme duration (a) (h:min)**

#### Other

#### Additional information:

Weblink to the supplier's website, where the information in point 9 of Annex II to Commission Regulation (EU) 2019/2023 (1) (b) is found:

(a) for the eco 40-60 programme.

(b) changes to these items shall not be considered relevant for the purposes of paragraph 4 of Article 4 of Regulation (EU) 2017/1369.

(c) if the product database automatically generates the definitive content of this cell the supplier shall not enter these data.

#### Additional information:

(c) where appropriate, the references of the harmonised standards applied;

(d) where appropriate, the other technical standards and specifications used;

(e) the details and the results of calculations performed in accordance with Annex IV;

(f) a list of all equivalent models including the model identifier.

## TECHNICAL DOCUMENTATION (UE) 2019/2014

