

TEKA

DW1 455 FI 55cm A+++ Built-in Dishwasher with a capacity for 10 cutlery and 6 washing programs



Eco Function

DESCRIPTION

55cm A+++ Built-in Dishwasher with a capacity for 10 cutlery and 6 washing programs

LIFE STYLE

Easy

COLOURS



REFERENCE

REF. 40782990
EAN. 8421152121931

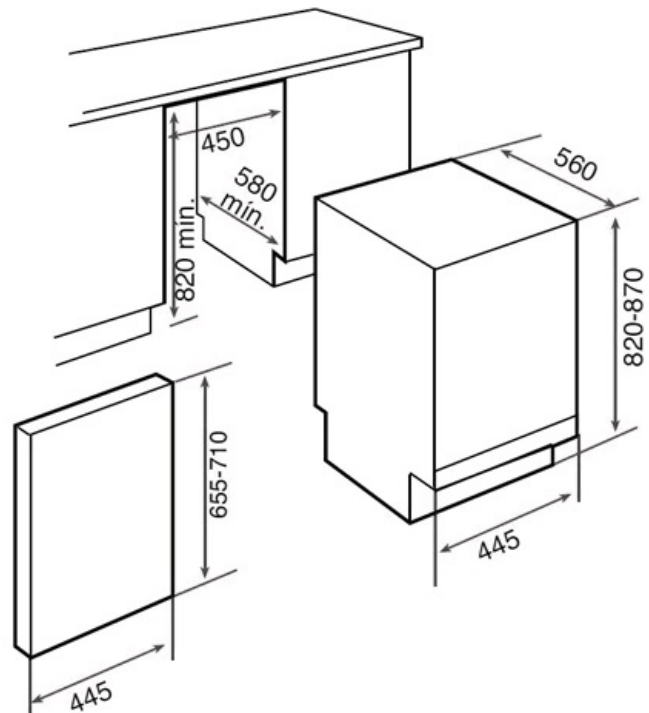


TEKA

DW1 455 FI

FEATURES

Fully integrated dishwasher
Electronic control panel
Place Settings : 10
Washing programs : 6
Washing temperatures : 40°, 50°,
55°, 60°, 65° C
Full Aquastop
Delay timer 3-6-9h
Half load program
Fast program 40 minutes
Eco program
5 positions water softener
Indicator pilots for : Selected program,
lack of salt and rinse aid, delay timer
Back feet adjustment from front
Energy class : A+/A
Noise level Db(A): 49
Power supply : 220/240V -50 Hz



DIMENSIONS

Product height (mm): 815-865
Product width (mm): 448
Product depth (mm): 550
Product length (mm):
Net weight (Kg): 29,5

TECH SPECS

FITTING MEASURES

Built-in niche height (cm): 82
Minimum door height (mm): 538
Maximum door height (mm): 538
Plinth (mm): 50
Door width (mm): 438

PRODUCT SHEET

Capacity (Place Settings): 10
Energy consumption (kWh/year): 211
Power consumption (Kwh): 0,74
Water consumption (litres/year): 2520
Water consumption (litres): 9
Standard cycle duration (minutes): 190
Noise level (dB): 49
Certificates: GS/CE/EMC/Rohs

POWER SUPPLY

Frequency (Hz): 50
Power rate (V): 220-240
Power rate (W): 1760-2100
Plug type: EU

**PARTICULAR
CHARACTERISTICS**

Maximum Nominal Power (W): 2100

Type of installation: Built-in

Control panel: Electronic buttons

Number of programs: 6

Number Of Washing Temperatures: 5

Water softener: Yes

Microfilter: Yes

SECURITY SYSTEM

Internal Leakage Control: Yes

Aquastop: Yes

CONTROL INDICATOR LIGHTS

Low Salt Aid indicator: Yes

Low Rinse Aid indicator: Yes

Selected program indicator: Yes

End of program acoustic alarm: Yes

SPECIAL FUNCTIONS

Fast program: Yes

Fast program (minutes): 40

1 Hour program: Yes

Economic program: Yes

Intense program: Yes

Half load: Yes

Delayed Timer (h): 3-6-9

EQUIPMENT

Adjustable Feet Back: Yes

Adjustable feet front: Yes

Adjustable back feet from front: Yes

**PRODUCT INFORMATION
SHEET (UE) 2019/2014**

Supplier name or trademark: TEKA

Additional information:

Weblink to the supplier's website, where the information in point 6 of Annex II to Commission Regulation (EU) 2019/2022 (1) (b) is found:

(a) for the eco programme.

(b) changes to these items shall not be considered relevant for the purposes of paragraph 4 of Article 4 of Regulation (EU) 2017/1369.

(c) if the product database automatically generates the definitive content of this cell the supplier shall not enter these data.

