



DW9 70 FI Built-in Dishwasher for 14 place settings wiht thrid tray and SlidingDoor



Beam On Floor



Eco Function



Third Cutlery
Tray



Extra Dry
function



Sliding Door



Water dirtiness
sensor
Aqualogic

DESCRIPTION

Built-in Dishwasher for 14 place settings wiht thrid tray and SlidingDoor

LIFE STYLE

Maestro

COLOURS



REFERENCE

REF. 40782171
EAN. 8421152153741

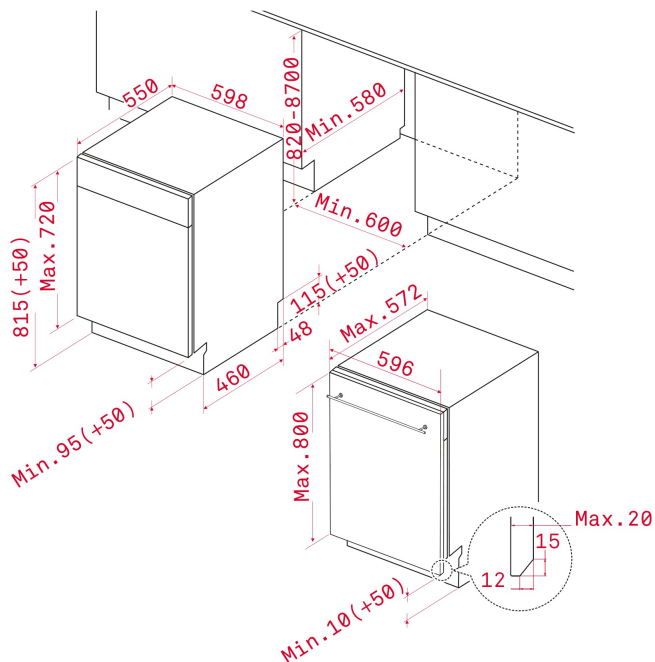


TEKA

DW9 70 FI

FEATURES

Fully integrated dishwasher
Electronic control panel with display
Place Settings : 14
Multifunctional third cutlery basket
Third sprayer
Washing programs : 8
Washing temperatures : 45°, 50°, 55°, 60°, 65° C
Beam on floor
Dual half load
SlidingDoor installation system
Fast program 30 minutes
Extra drying function
Eco program
Full AquaStop safety system
Aqualogic
Delay timer 1-24h
Automatic adjustable upper basket
Back feet adjustment from front
Noise level: 44 dBA



DIMENSIONS

Product height (mm): 815-865
Product width (mm): 598
Product depth (mm): 550
Product length (mm):
Net weight (Kg): 37,5

TECH SPECS

FITTING MEASURES

Built-in niche height (cm): 82
Minimum door height (mm): 654
Maximum door height (mm): 654
Plinth (mm): 50
Door width (mm): 589

PRODUCT SHEET

Capacity (Place Settings): 14
Energy consumption (kWh/year): 237
Power consumption (Kwh): 0,83
Water consumption (litres/year): 2800
Water consumption (litres): 10
Standard program: ECO
Standard cycle duration (minutes): 220
Noise level (dB): 44
Certificates: GS/CE/EMC/Rohs

POWER SUPPLY

Frequency (Hz): 50
Power rate (V): 220-240
Power rate (W): 1760-2100

**PARTICULAR
CHARACTERISITICS**

Plug type: EU
Maximum Nominal Power (W): 2100

Type of installation: Built-in
Control panel: Electronic buttons
Control panel display: Yes
Number of programs: 8
Number Of Washing Temperatures: 6
Beam on floor: Yes
Aqua-Logic: Yes
Water softener: Yes
Microfilter: Yes

SECURITY SYSTEM

Internal Leakage Control: Yes
Aquastop: Yes

CONTROL INDICATOR LIGHTS

Low Salt Aid indicator: Yes
Low Rinse Aid indicator: Yes
Selected program indicator: Yes
Remaining time: Yes

SPECIAL FUNCTIONS

Soak/Prewash program: Yes
Fast program: Yes
Economic program: Yes
Intense program: Yes
Alternative wash (Zone Wash): Yes
Delayed Timer (h): 1-24

EQUIPMENT

3rd Basket: Yes
3rd sprayer: Yes
Adjustable back feet from front: Yes

**PRODUCT INFORMATION
SHEET (UE) 2019/2014**

Supplier name or trademark: TEKA
Supplier's address: C/Cajo, 17, 39011, Santander , Spain
Model identifier: DW9 70 FI
Height (cm): 81,5
Width (cm): 59,8
Depth (cm): 55

Additional information:

Weblink to the supplier's website, where the information in point 6 of Annex II to Commission Regulation (EU) 2019/2022 (1) (b) is found:
(a) for the eco programme.
(b) changes to these items shall not be considered relevant for the purposes of paragraph 4 of Article 4 of Regulation (EU) 2017/1369.
(c) if the product database automatically generates the definitive content of this cell the supplier shall not enter these data.

