



DW8 58 FI Built-in Dishwasher for 14 place settings and third tray for cutlery



Eco Function



Third Cutlery
Tray



Extra Dry
function

DESCRIPTION

Built-in Dishwasher for 14 place settings and third tray for cutlery

LIFE STYLE

Total

COLOURS



REFERENCE

REF. 40782129
EAN. 8421152153819

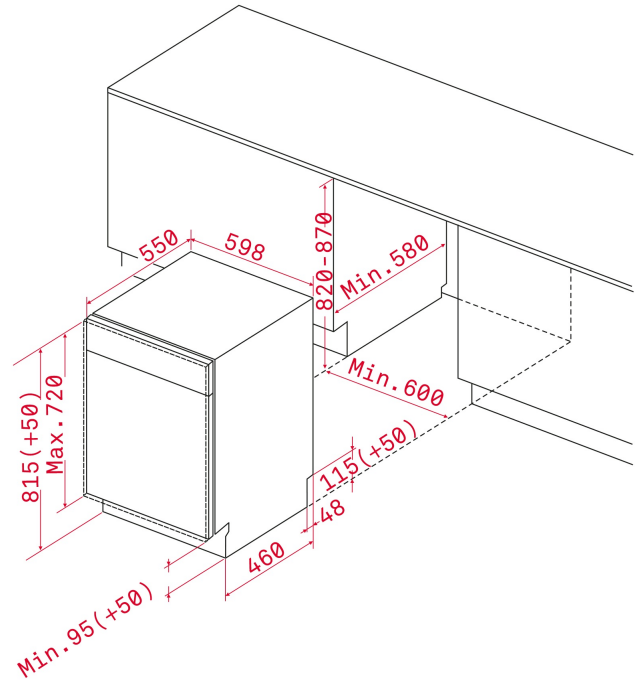


TEKA

DW8 58 FI

FEATURES

Fully integrated dishwasher
Electronic control panel with display
Place Settings: 14
Multifunctional third cutlery basket
Adjustable upper basket
Washing programs: 9
Washing temperatures: 38°, 45°, 50°, 55°, 60°, 65°C
Half load
Fast program 30 minutes
Extra drying function
Power wash & Express program
Full AquaStop safety system
Aqualogic
Delay timer 1-24h
Noise level: 47 dBA



DIMENSIONS

Product height (mm): 815-865
Product width (mm): 598
Product depth (mm): 550
Product length (mm):
Net weight (Kg): 37

TECH SPECS

FITTING MEASURES

Built-in niche height (cm): 82
Maximum door height (mm): 654
Plinth (mm): 50
Door width (mm): 589

PRODUCT SHEET

Capacity (Place Settings): 14
Energy consumption (kWh/year): 266
Power consumption (Kwh): 0,93
Water consumption (litres/year): 3080
Water consumption (litres): 11
Standard program: ECO
Standard cycle duration (minutes): 190
Noise level (dB): 47
Certificates: GS/CE/EMC/Rohs

POWER SUPPLY

Frequency (Hz): 50
Power rate (V): 220-240
Power rate (W): 1760-2100
Plug type: EU

Maximum Nominal Power (W): 2100

**PARTICULAR
CHARACTERISTICS**

Type of installation: Built-in
Control panel: Electronic buttons
Control panel display: Yes
Number of programs: 9
Number Of Washing Temperatures: 6
Water softener: Yes
Microfilter: Yes

SECURITY SYSTEM

Internal Leakage Control: Yes
Aquastop: Yes

CONTROL INDICATOR LIGHTS

Low Salt Aid indicator: Yes
Low Rinse Aid indicator: Yes
Selected program indicator: Yes
Remaining time: Yes
End of program acoustic alarm: Yes
End of program visual alarm: Yes

SPECIAL FUNCTIONS

Soak/Prewash program: Yes
Fast program: Yes
1 Hour program: Yes
Economic program: Yes
Intense program: Yes
Half load: Yes
Delayed Timer (h): 1-24

EQUIPMENT

Adjustable Feet Back: Yes
Adjustable feet front: Yes
3rd Basket: Yes
3rd sprayer: Yes
Adjustable back feet from front: Yes

**PRODUCT INFORMATION
SHEET (UE) 2019/2014**

Supplier name or trademark: TEKA
Supplier's address: C/Cajo, 17, 39011, Santander , Spain
Model identifier: DW8 58 FI
Height (cm): 81,5
Width (cm): 59,8
Depth (cm): 55

Additional information:

Weblink to the supplier's website, where the information in point 6 of Annex II to Commission Regulation (EU) 2019/2022 (1) (b) is found:
(a) for the eco programme.
(b) changes to these items shall not be considered relevant for the purposes of paragraph 4 of Article 4 of Regulation (EU) 2017/1369.
(c) if the product database automatically generates the definitive content of this cell the supplier shall not enter these data.

