



**TKI4 325** Built-in Defrost Refrigerator in 177cm with 2 doors and Electronic control panel



Fresh Box



LED



Zero Box



77L

**DESCRIPTION**

Built-in Defrost Refrigerator in 177cm with 2 doors and Electronic control panel

**LIFE STYLE**

Total

**COLOURS**



**REFERENCE**

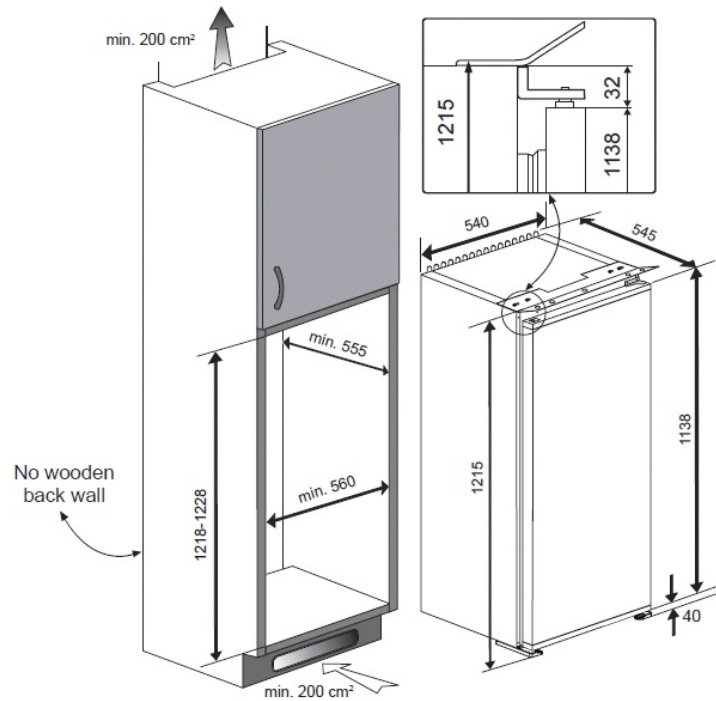
REF. 40693172  
EAN. 8421152156568

**FEATURES**

Built-in Combi  
Sliding doors  
Door-on-door door fastener (rigid)  
Hettich 3D Loops  
No frost in the freezer  
Automatic defrost in the cooling chamber  
Increased Depth 545 mm  
Electronic control panel  
Quick cooling button  
Acoustic and visual signals  
Freshness Zone 0-3 ° C  
Adjustable safety glass shelves  
Adjustable shelves in the door  
2 glass shelves in the freezer to maximize loading  
Chrome stand for 4 bottles  
Indoor LED backlight  
Freezer  
1 compressor  
Concealed Evaporator  
Antibacterial sealant  
:  
Noise Level: 38dB  
Total capacity: 275 L  
Freezer capacity: 69 L  
Cooling chamber capacity: 167 L  
Freshness Capacity: 19 L

## DIMENSIONS

**Product height (mm):** 1776  
**Product width (mm):** 540  
**Product depth (mm):** 545  
**Product length (mm):**  
**Net weight (Kg):** 57



## TECH SPECS

### FITTING MEASURES

**Built-in niche (cm):** 178

### PRODUCT SHEET

**Cooling system:** Defrost  
**Total gross capacity (litres):** 285  
**Refrigerator compartment capacity (litres):** 191  
**Freezer compartment capacity (litres):** 77  
**Freezer classification:** 4  
**Freezing capacity:** 3,5  
**Annual Consumption (kWh/year):** 221  
**Temperature Rise Time (h):** 20  
**Climate class:** T  
**Noise level (dB):** 40

### POWER SUPPLY

**Frequency (Hz):** 60  
**Power rate (V):** 220-240  
**Power rate (W):** 125  
**Energy consumption (kw/day):** 0,726

**PARTICULAR  
CHARACTERISTICS**

**EQUIPMENT**

**PRODUCT INFORMATION  
SHEET (UE) 2019/2016**

**Type of installation:** Built-in  
**Automatic defrosting in the refrigeration compartment:** Yes  
**Antibacterial treatment:** NO  
**Inner light:** Yes  
**Type of inner light:** LED on Ceiling  
**Reversible doors:** Yes

**Chromed bottle rack:** 4  
**Antibacterial gasket:** Yes  
**Multipurpose compartment:** NO  
**Ice cubes tray:** 1  
**Bottle rack type:** CHROMED  
**Adjustable feet front:** Yes  
**Roller (rear):** Yes  
**Vegetable drawers:** 1  
**Temperature and humidity regulation in drawers:** FRESH BOX

**Supplier name or trademark:** TEKA

**Type of refrigerating appliance**

**Overall dimensions (mm)**

**Climate class:** T

**Light source parameters**

**Minimum duration of the guarantee offered by the manufacturer (b):** 24 months

**Light source parameters**

**Minimum duration of the guarantee offered by the manufacturer (Years) (b):** 24 months

**Additional information:**

Weblink to the manufacturer's website, where the information in point 4(a) Annex of Commission Regulation (EU) 2019/2019 (1) (b) is found:  
(a) as determined in accordance with Commission Delegated Regulation (EU) 2019/2015 (2).  
(b) changes to these items shall not be considered relevant for the purposes of point 4 of Article 4 of Regulation (EU) 2017/1369.  
(c) if the product database automatically generates the definitive content of this cell the supplier shall not enter these data.

(1) Commission Regulation (EU) 2019/2019 of 1 October 2019 laying down ecodesign requirements for refrigerating appliances pursuant to Directive 2009/125/EC of the European Parliament and of the Council and repealing Commission Regulation (EC) No 643/2009 (see page 187 of this Official Journal).(2)

(2) Commission Delegated Regulation (EU) 2019/2015 of 11 March 2019 supplementing Regulation (EU) 2017/1369 of the European Parliament and of the Council with regard to energy labelling of light sources and repealing Commission Delegated Regulation (EU) No 874/2012 (see page 68 of this Official Journal).



TKI4 325

ENERGY LABEL

TEKA TKI4 325 EU

Energy scale: A, B, C, D, E, F, G. Current rating: E

225 kWh/annum

78 L (Snowflake icon) 193 L (Water tap icon)

35 dB (Sound power level) ABCD

9182/2016