



# RFD 77820 190cm A++ French Door No Frost Refrigerator



IonClean Technology, neutralise bacteria and bad odours



Gourmet Box, drawer with temperature selection between -2° and 3° C



LED lighting



LongLife No Frost, independent cooling circuits



High efficiency Inverter Motor



On Holidays function



VitaCare Box, keeps fruit and vegetables fresh

**DESCRIPTION**

190cm A++ French Door No Frost Refrigerator

**LIFE STYLE**

Maestro

**COLOURS**

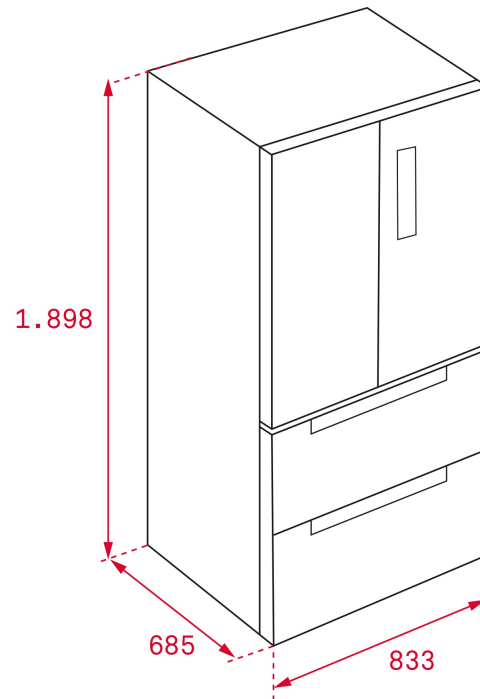


**REFERENCE**

REF. 113430004  
EAN. 8434778001471

**FEATURES**

French Door Gourmet Refrigerator  
Motor inverter with high efficiency compressor  
IonClean technology to neutralize bacteria and bad odours  
LongLife No Frost with 3 independent circuits  
Touch control with independent temperature regulator  
Chromed details  
Gourmet Box with telescopic guides and softclose, interior light, display, and Touch control with independent temperature regulator between -2° and +3°C  
2 VitaCare Box drawers with independent humidity control  
Top and back LED light  
TempGuard Radar technology  
Interior LED light in freezer  
Pull-out telescopic softclose drawer with deep tray and two special drawers for meat and fish  
Pull-out telescopic softclose deep drawer with an upper tray with telescopic guides  
Removable freezer drawers for easy cleaning



## DIMENSIONS

**Product height (mm):** 1898  
**Product width (mm):** 833  
**Product depth (mm):** 685  
**Product length (mm):**  
**Net weight (Kg):** 136

## TECH SPECS

### FITTING MEASURES

**Built-in Width (mm):** 0  
**Built-in Depth (mm):** 0  
**Built-in Height (mm):** 1898

### PRODUCT SHEET

**Cooling system:** LongLife No Frost  
**No Frost In Refrigerator Compartment:** Yes  
**No Frost in chiller:** Yes  
**No Frost in freezer compartment:** Yes  
**Total gross capacity (litres):** 582  
**Refrigerator compartment capacity (litres):** 304  
**Chilling Compartment Capacity (litres):** 31  
**Freezer compartment capacity (litres):** 165  
**Freezer classification:** 4  
**Freezing capacity:** 13,0  
**Annual Consumption (kWh/year):** 333  
**Temperature Rise Time (h):** 15  
**Climate class:** N/T  
**Noise level (dB):** 41  
**Certificates:** CB/DE

## POWER SUPPLY

**Frequency (Hz):** 50  
**Power rate (V):** 230  
**Power rate (W):** 250  
**Defrost element power (W):** 250  
**Energy consumption (kw/day):** 0,915  
**Cable Connection Length (cm):** 1750

## PARTICULAR CHARACTERISTICS

**Type of installation:** Free standing  
**Automatic defrosting in the refrigeration compartment:** Yes  
**Automatic defrosting in the freezer compartment:** Yes  
**Electronic adjustable thermostat:** Yes  
**Display on door:** Yes  
**Fingerprint proof door:** Yes  
**Antibacterial treatment:** IonClean  
**Freezing set button:** Yes  
**Cooling set button:** Yes  
**Lock function:** Yes  
**Fast freezing:** Yes  
**Fast Cooling Function:** Yes  
**On Holidays Function:** Yes  
**Inner light:** Yes  
**Type of inner light:** LED  
**Integrated handle:** Yes

## CONTROL INDICATOR LIGHTS

**Operating light fridge:** Yes  
**Operating light freezer:** Yes  
**Freezer compartment temperature display:** Yes  
**Fast freezing indicator:** Yes  
**Acoustic alarm:** Yes  
**Visual alarm:** Yes

## EQUIPMENT

**Antibacterial gasket:** Yes  
**Multipurpose compartment:** NO  
**Ice cubes tray:** 1  
**Bottle rack type:** CHROMED  
**Dairy covered compartment:** Yes  
**Adjustable feet front:** Yes  
**Roller (rear):** Yes  
**Refrigerator adjustable shelves:** Yes  
**Vegetable drawers:** 2  
**Temperature and humidity regulation in drawers:** VitaCare Box

## PRODUCT INFORMATION SHEET (UE) 2019/2016

**Supplier name or trademark:** TEKA  
**Supplier's address:** C/Cajo, 17, 39011, Santander , Spain  
**Model identifier:** RFD 77820 GBK EU

### Type of refrigerating appliance

**Low-noise appliance:** 0  
**Design type:** Free standing  
**Wine storage appliance:** 0  
**Other refrigerating appliance:** 1

### Overall dimensions (mm)

**Height:** 1898  
**Width:** 833  
**Depth:** 685  
**Total volume (dm<sup>3</sup> or l):** 535  
**Energy efficiency class:** E  
**Airborne acoustical noise emissions (dB(A) re 1 pW):**

**Airborne acoustical noise emission class:** C

**Annual energy consumption (kWh/a):** 314

**Climate class:** N/T

**Minimum ambient temperature (°C), for which the refrigerating appliance is suitable:**

**Maximum ambient temperature (°C), for which the refrigerating appliance is suitable:**

**Winter setting:**

**Compartment 1:** Fresh food

**Compartment 1 - Compartment Volume (l):** 348

**Compartment 1 - Recommended temperature setting for optimised food storage (°C):**

**Compartment 1 - Freezing capacity (kg/24h):** NA

**Compartment 1 - Defrosting type:** A

**Compartment 1 - Target temperature (°C):**

**Compartment 1 - Thermodynamic parameter (rc):** NA

**Compartment 1 - Nc:** NA

**Compartment 1 - Mc:** NA

**Compartment 1 - Defrost factor (Ac):** NA

**Compartment 1 - Built-in factor (Bc):** NA

**Compartment 2:** 4 STAR

**Compartment 2 - Compartment Volume (l):** 187

**Compartment 2 - Recommended temperature setting for optimised food storage (°C):**

**Compartment 2 - Freezing capacity (kg/24h):** 12

**Compartment 2 - Defrosting type:** A

**Compartment 2 - Target temperature (°C):**

**Compartment 2 - Thermodynamic parameter (rc):** NA

**Compartment 2 - Nc:** NA

**Compartment 2 - Mc:** NA

**Compartment 2 - Defrost factor (Ac):** NA

**Compartment 2 - Built-in factor (Bc):** NA

**Compartment 3:** NA

**Compartment 3 - Compartment Volume (l):** NA

**Compartment 3 - Recommended temperature setting for optimised food storage (°C):**

**Compartment 3 - Freezing capacity (kg/24h):** NA

**Compartment 3 - Defrosting type:** NA

**Compartment 3 - Target temperature (°C):**

**Compartment 3 - Thermodynamic parameter (rc):** NA

**Compartment 3 - Nc:** NA

**Compartment 3 - Mc:** NA

**Compartment 3 - Defrost factor (Ac):** NA

**Compartment 3 - Built-in factor (Bc):** NA

**Compartment 4:** NA

**Compartment 4 - Compartment Volume (l):** NA

**Compartment 4 - Recommended temperature setting for optimised food storage (°C):**

**Compartment 4 - Freezing capacity (kg/24h):** NA

**Compartment 4 - Defrosting type:** NA

**Compartment 4 - Target temperature (°C):**

**Compartment 4 - Thermodynamic parameter (rc):** NA

**Compartment 4 - Nc:** NA

**Compartment 4 - Mc:** NA

**Compartment 4 - Defrost factor (Ac):** NA

**Compartment 4 - Built-in factor (Bc):** NA

**Compartment 5 - Type:** NA

**Compartment 5 - Compartment Volume (l):** NA

**Compartment 5 - Recommended temperature setting for optimised food storage (°C):**

**Compartment 5 - Freezing capacity (kg/24h):** NA

**Compartment 5 - Defrosting type:** NA

**Compartment 5 - Target temperature (°C):**

**Compartment 5 - Thermodynamic parameter (rc):** NA

**Compartment 5 - Nc:** NA

**Compartment 5 - Mc:** NA

**Compartment 5 - Defrost factor (Ac):** NA

**Compartment 5 - Built-in factor (Bc): NA**

**Light source parameters**

**Light source - Type of light source: LED**

**Light source - Energy efficiency class: NA**

**Minimum duration of the guarantee offered by the manufacturer (b): 2 años**

**Additional information:**

Weblink to the manufacturer's website, where the information in point 4(a) Annex of Commission Regulation (EU) 2019/2019 (1) (b) is found:  
(a) as determined in accordance with Commission Delegated Regulation (EU) 2019/2015 (2).

(b) changes to these items shall not be considered relevant for the purposes of point 4 of Article 4 of Regulation (EU) 2017/1369.

(c) if the product database automatically generates the definitive content of this cell the supplier shall not enter these data.

(1) Commission Regulation (EU) 2019/2019 of 1 October 2019 laying down ecodesign requirements for refrigerating appliances pursuant to Directive 2009/125/EC of the European Parliament and of the Council and repealing Commission Regulation (EC) No 643/2009 (see page 187 of this Official Journal).(2)

(2) Commission Delegated Regulation (EU) 2019/2015 of 11 March 2019 supplementing Regulation (EU) 2017/1369 of the European Parliament and of the Council with regard to energy labelling of light sources and repealing Commission Delegated Regulation (EU) No 874/2012 (see page 68 of this Official Journal).



RFD 77820

ENERGY LABEL

The energy label for the TEKA RFD 77820 GBK refrigerator features the following information:

- Model:** RFD 77820 GBK
- Energy Class:** A++ (indicated by a black arrow pointing to the A++ level on the scale)
- Energy Consumption:** 333 kWh/annum
- Net Capacity:** 335 L
- Freezer Capacity:** 165 L
- Noise Level:** 42 dB

At the bottom left of the label, the number 2010/1060 is printed.