



TK3 1490 WD Freestanding washer-dryer



Quick cycle program



6Kg washing capacity



9Kg washing capacity

DESCRIPTION

Freestanding washer-dryer

LIFE STYLE

Total

COLOURS



REFERENCE

REF. 40878060
EAN. 8421152119594

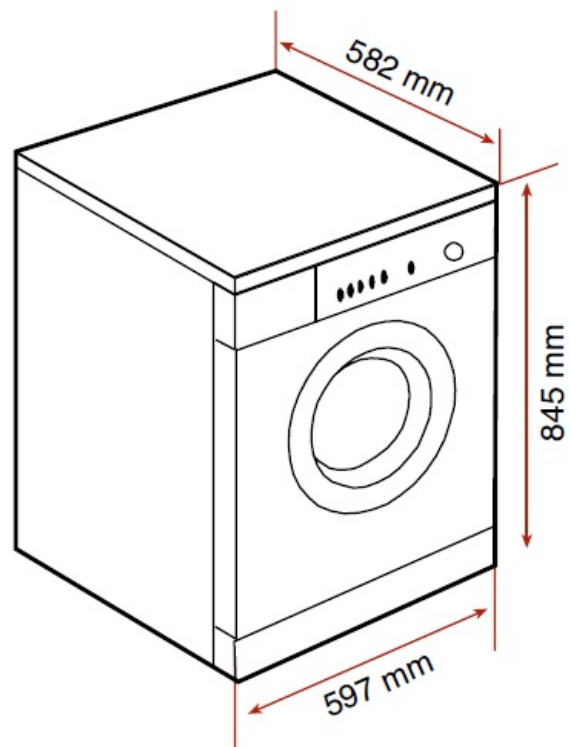


TEKA

TK3 1490 WD

FEATURES

Freestanding washer-dryer
Washing capacity: 9 Kg
Dryer capacity: 6 Kg
Programs: 9 + 6(Wash+Dry)
LCD Electronic control panel
Delay timer:1-25 hours
Temperature and speed selector
Spinning Speed: 1400 rpm
Intense & Extra rinse programs
Fast Program 12 min.
Stainless steel drum
Indicator pilots on display for : On/Off, Delay, Reminding Time,
Temperature and rpm.
33 cm side crystal door with 165° door opening
Energy class: A/A

TEKA**TK3 1490 WD**

DIMENSIONS

Product height (mm): 845
Product width (mm): 597
Product depth (mm): 582
Product length (mm):
Net weight (Kg): 78

TECH SPECS

PRODUCT SHEET

Type of load: Front
Type of installation: Free standing
Washing capacity (Kgs): 9
Drying capacity (Kgs): 6
Energy Efficiency Class: A
Washing efficiency: A
Spinning efficiency: B
Energy consumption (kWh/year): 210
Water consumption (litres/year): 9800
Maximum spinning speed (RPM): 1400
Certificates: CE + IMQ + VDE

POWER SUPPLY

Frequency (Hz): 50
Power rate (V): 220-240
Maximum Nominal Power (W): 2200
Nominal power motor (W): 200
Power of heating element (W): 1850

PARTICULAR

Stainless Steel Drum: Yes

CHARACTERISITICS

Glass door diameter (cms): 47
Number of programs: 11
Control panel: ELECTRONIC
Electronic washing management: Yes
Child lock: Yes
Auto lock door: Yes
Cancel spin cycle button: Yes
Removable work top: Yes

CONTROL INDICATOR LIGHTS

Selected program indicator: Yes
Remaining time: Yes
Drying: Yes
Dryer timer: Yes
Extra rinse indicator: Yes

SPECIAL FUNCTIONS

Fast program: Yes
Fast program (minutes): 12
Economic program: Yes
Intense program: Yes
Extra rinse: Yes
Delicate fabrics: Yes
Resistant: Yes
Quick Wash: Yes

EQUIPMENT

Adjustable Feet Back: Yes
Adjustable feet front: Yes

PRODUCT INFORMATION SHEET (UE) 2019/2014

Supplier's name or trade mark :
Supplier's address :
Model identifier :

General product parameters

Rated capacity for the eco 40-60 programme (Kg) : 9 kg

Dimensions (cm)

Height : 84,5

Width : 59,7

Depth: 58,2

Consumption and efficiency

Energy Efficiency Index (a):

Energy efficiency class (a):

Washing efficiency index (a): 1,04

Rinsing effectiveness (g/kg) (a): 5,0

Energy consumption in kWh per cycle, based on the eco 40-60 programme. Actual energy consumption will depend on how the appliance is used.:

Water consumption in litre per cycle, based on the eco 40-60 programme. Actual water consumption will depend on how the appliance is used and on the hardness of the water.:

Maximum temperature inside the treated textile (a) (°C)

Rated capacity:

Half capacity:

Quarter capacity:

Remaining moisture content (a) (%)

Rated capacity:

Half:
Quarter:

Spin speed (a) (rpm)

Rated capacity: 1404
Half: 1402
Quarter: 1402
Spin-drying efficiency class (a): B

Eco 40-60 programme duration (a) (h:min)

Rated capacity:
Half:
Quarter:

Other

Type: Free-standing
Airborne acoustical noise emissions in the spinning phase (a) (dB(A) re 1 pW):
Airborne acoustical noise emission class (a) (spinning phase):
Off-mode (W): 0,50
Standby mode (W): 1,00
Delay start (W) (if applicable): 4,00
Networked standby (W) (if applicable):
Minimum duration of the guarantee offered by the supplier (b): -
This product has been designed to release silver ions during the washing cycle YES/NO: 0

Additional information:

Weblink to the supplier's website, where the information in point 9 of Annex II to Commission Regulation (EU) 2019/2023 (1) (b) is found:
(a) for the eco 40-60 programme.
(b) changes to these items shall not be considered relevant for the purposes of paragraph 4 of Article 4 of Regulation (EU) 2017/1369.
(c) if the product database automatically generates the definitive content of this cell the supplier shall not enter these data.

TECHNICAL DOCUMENTATION (UE) 2019/2014

Rated capacity for the eco 40-60 programme, at 0,5 kg intervals (c):
Energy consumption of the eco 40-60 programme at rated capacity (EW,full): 1,170
Energy consumption of the eco 40-60 programme at half rated capacity (EW,½): 0,543
Energy consumption of the eco 40-60 programme at quarter rated capacity (EW,1/4): 0,281
Weighted energy consumption of the eco 40-60 programme (EW): -
Standard energy consumption of the eco 40-60 programme (SCEW): 0,951
Energy Efficiency Index (EEIW):
Water consumption of the eco 40-60 programme at rated capacity (WW,full): 55,8
Water consumption of the eco 40-60 programme at half rated capacity (WW,½): 39,9
Water consumption of the eco 40-60 programme at quarter rated capacity (WW,1/4): 37
Weighted water consumption (WW): -
Washing efficiency index of the eco 40-60 programme at rated capacity (Iw): 1,04
Washing efficiency index of the eco 40-60 programme at half rated capacity (Iw): 1,05
Washing efficiency index of the eco 40-60 programme at quarter rated capacity (Iw): 1,05
Rinsing effectiveness of the eco 40-60 programme at rated

capacity (IR): 4,7

Rinsing effectiveness of the eco 40-60 programme at half rated capacity (IR): 4,6

Rinsing effectiveness of the eco 40-60 programme at quarter rated capacity (IR): 4,5

Programme duration of the eco 40-60 programme at rated capacity (tw):

Programme duration of the eco 40-60 programme at half rated capacity (tw):

Programme duration of the eco 40-60 programme at quarter rated capacity (tw):

Temperature reached for minimum 5 min inside the load during eco 40-60 programme at rated capacity (T):

Temperature reached for minimum 5 min inside the load during eco 40-60 programme at half rated capacity (T):

Temperature reached for minimum 5 min inside the load during eco 40-60 programme at quarter rated capacity (T):

Spin speed in the spinning phase of the eco 40-60 programme at rated capacity (S): 1400

Spin speed in the spinning phase of the eco 40-60 programme at half rated capacity (S): 1400

Spin speed in the spinning phase of the eco 40-60 programme at quarter rated capacity (S): 1400

Remaining moisture content for the eco 40-60 programme at rated capacity (Dfull):

Remaining moisture content for the eco 40-60 programme at half rated capacity (D1/2):

Remaining moisture content for the eco 40-60 programme at quarter rated capacity (D1/4):

Weighted remaining moisture content (D):

Airborne acoustical noise emissions during eco 40-60 programme (spinning phase):

Power consumption in 'off mode' (Po):

Power consumption in 'standby mode' (Psm): 1,00

Does 'standby mode' include the display of information?

YES/NO:

Power consumption in 'standby mode' (Psm) in condition of networked standby (if applicable): 2,00

Power consumption in 'delay start' (Pds) (if applicable): 4,00

Additional information:

(c) where appropriate, the references of the harmonised standards applied;

(d) where appropriate, the other technical standards and specifications used;

(e) the details and the results of calculations performed in accordance with Annex IV;

(f) a list of all equivalent models including the model identifier.



TK3 1490 WD

ENERGY LABEL

Energy Washer-Dryer

Manufacturer **teka**
Model **TK3 1490 WD**

More efficient

A

Less efficient

Energy consumption kWh <small>(to wash and dry a full capacity wash load at 60°C)</small>	6.12
Washing (only) kWh <small>Actual energy consumption will depend on how the appliance is used</small>	0.90
Washing performance <small>A: higher G: lower Spin speed (rpm)</small>	A B C D E F G 1400
Capacity (cotton) kg	Washing 9.0 Drying 6.0
Water consumption (total) l	112
Noise (dB(A)re 1 pW)	Washing 58 Spinning 77 Drying 64

Further information is contained in product brochures.

Norm EN 50229
Washer-dryer Label Directive No 96/60/EC.