



**DLV 985** Urban Colors Edition 90cm Vertical Hood with Contour Rim extraction system and Touch control display



LED lighting



Rim extraction



Stop delay timer

**DESCRIPTION**

Urban Colors Edition 90cm Vertical Hood with Contour Rim extraction system and Touch control display

**LIFE STYLE**

Maestro

**COLOURS**



**REFERENCE**

REF. 112930006  
EAN. 8434778009156

**FEATURES**

Urban Colors Edition  
Quadro vertical hood  
Double turbine motor ECOPOWER  
Extraction rim system "Contour"  
Digital control Touch Control with white display  
3 speeds + Intensive  
Saturation filters lighting indicator  
Exhaust capacity (\*): min.325 m<sup>3</sup>/h - max.782 m<sup>3</sup>/h  
Sound level (\*): min.54 dBA - máx.65 dBA  
LED light bar  
Stop delay timer  
Recirculation function optional (SET D10CTP)

## DIMENSIONS

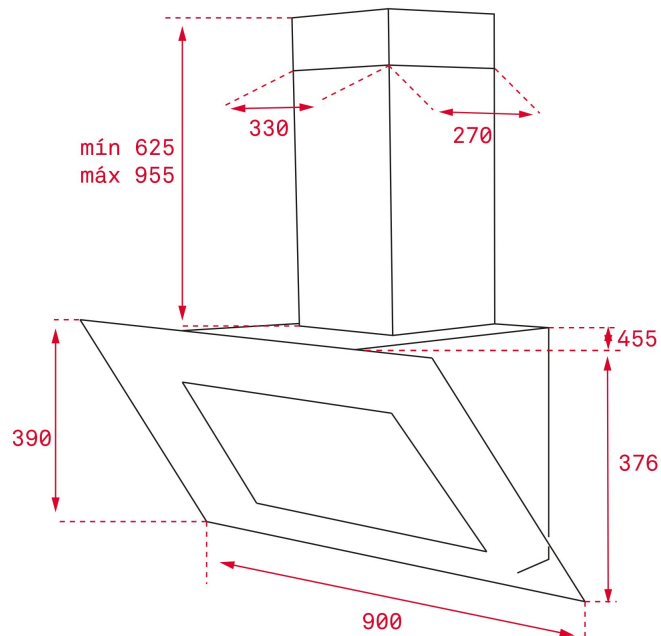
**Product height (mm):** 800-1200

**Product width (mm):** 900

**Product depth (mm):** 450

**Product length (mm):**

**Net weight (Kg):** 20,27



## TECH SPECS

### PARTICULAR CHARACTERISTICS

**Certificates:** CE; CB; Rohs  
**Ø Outlet (mm):** 150  
**Type of inner light:** LED  
**Inside light Consumption (W):** 7  
**Plug type:** Schuko plug  
**Power rate (V):** 230  
**Frequency (Hz):** 50  
**Total hood power (W):** 287  
**Number of motors:** 1  
**Motor power (W):** 280

### ACCESSORIES

**Anti Return valve:** Yes  
**Outlet reduction:** Yes  
**Optional Charcoal Filter:** D4C  
**Conventional recirculation kit (opt) - w/tube cover:** SET 1/N1

### MODELS

**Number of filters:** 1  
**Filter description:** Glass panel; aluminum filter below  
**Control panel:** Touch control

**Stop delay timer:** Yes

**Filter saturation indicator:** Yes

**Time clock:** Yes

**Number of speeds:** 3+1



DLV 985

ENERGY LABEL

