

I WISH

TO PAMPER MY FOOTBALL
TALISMAN TSHIRT

by
TEKA LAUNDRY





LAUNDRY

WISHES COME TRUE

*Caring for your clothes it is our WISH
and has never been so easy.*



RANGE OVERVIEW



Maestro



Total



TEKA LAUNDRY

A SPA for your most delicate garments with maximum energy saving

OUR ULTIMATE SPA LAUNDRY RANGE HAS TRANSFORMED WASHING MACHINES INTO METICULOUS APPAREL CARE APPLIANCES, EVIDENCED BY THE WOOLMARK CERTIFICATE.





ENERGY EFFICIENCY

They new SPA range consumes little and offers a lot. These washing machines are characterized by their ability to pamper your clothes using less energy and reducing the environmental footprint. Our washing machine's efficiency improves their energy rating increasing cleaning capacity and delicate-garment care.



A LOVE FOR CLOTHES

Feel free to wash your woolen garments in your Teka washing machine. The SPA range personifies excellence in top fabric care. Our 8-kilo models proudly show off their Woolmark certificate; a universal quality company that only certifies after testing the woolen garment-washing programme and ensures it keeps your clothes in perfect shape, even after dozens of washes.

**THE PERFECT COMBINATION:
2 IN 1, WASHER+DRYER**

The ideal solution to wash and dry in one go! It offers all the advantages of a high-advanced washing machine and the best performance of a tumble dryer in laundry care. The perfect combination for small rooms.



LESS VIBRATION, MORE SILENCE

With Teka's new BLDC Inverter motor, this 10+7 Kg, 1600 r.p.m. washer-dryer offers you maximum power that is barely noticeable on the outside.

This is a direct current motor that is super efficient thanks to rotation powered by strong magnets instead of traditional brushes.

Less friction for the motor, which means less vibration and more silence. If we add the option of eliminating the spin cycles during the wash, the result is that we can finally use the washing machine at night without worrying about disturbing anyone.

Plus, the technology provided by the Inverter motor lengthens the washer-dryer's life and reduces power use, saving you money every time you use it.



TEKA'S ELECTRONIC WASHING MANAGEMENT

Do you want to wash more efficiently? Teka's Fuzzy Logic System manages all washing processes electronically. This system corrects any irregularities that might be found throughout the program, for example, a foam level higher than expected or a poor load weight distribution, an unsuitable water level.



DRUM SOFTCARE

The gentlest way to break down water resistance. Our drum's exclusive design, formed of small cubes, has been developed using cutting-edge computational fluid dynamics technology. The result can be seen in the lower textile water flow resistivity – up to 20 times lower than that offered by other washing machines – improving garment care in their washing, drying and spinning stages.



BALANCE CONTROL SYSTEM

Teka's balance control system optimizes clothing distribution, preventing it from becoming tangled. It also increases stability, reducing the noise level and also extends the useful life of the washing machine. In addition, Teka's washing machine drum is a perforated stainless steel drum that helps clothes slide smoothly inside the washing machine.



DELAYED PROGRAMMING

Wash whenever you want even if you are not at home!. Your washing cycle can be delayed up to 24 hours to take advantage of more economic night rates.



SPEED WASH

No more waiting. Thanks to this function, just by pushing a button, you can reduce the length of any washing programme by 30%. More time for you, less for the machine.



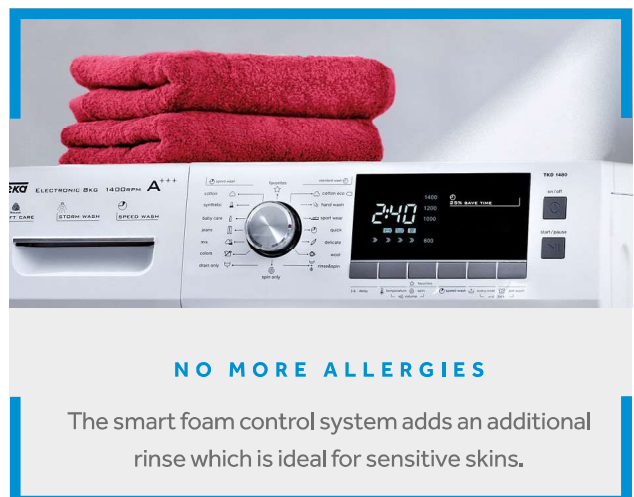
REALLY SAFER

Teka appliances are equipped with the most advanced technology regarding security like Delayed Opening or Child Lock security.



MY FAVOURITE CYCLE

Memorize your ideal program just touching for 3 second the favourite button. It allows you to design the perfect cycle for your preferred garments.



NO MORE ALLERGIES

The smart foam control system adds an additional rinse which is ideal for sensitive skins.



WISH LAUNDRY

Minimum consumption, highly accurate and very easy to use

MAESTRO

WASHER DRYER

WASHING MACHINE

8 KG

FREESTANDING

1600



TKD 1610 WD

1400



TKD 1480 INOX

BUILT-IN

1400



LSI4 1470 E

MAESTRO

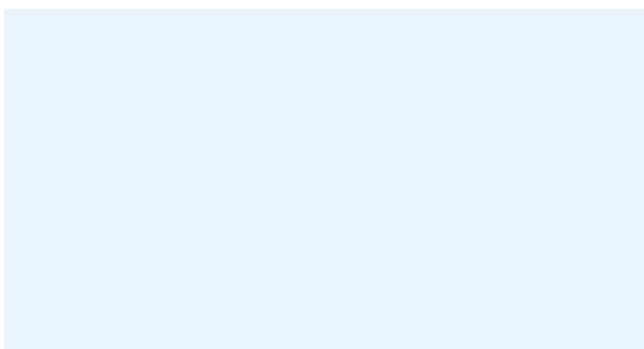
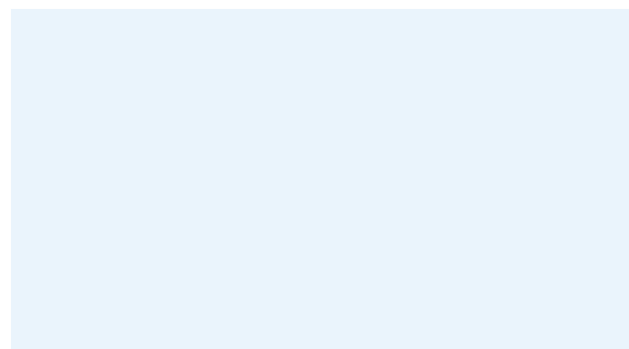
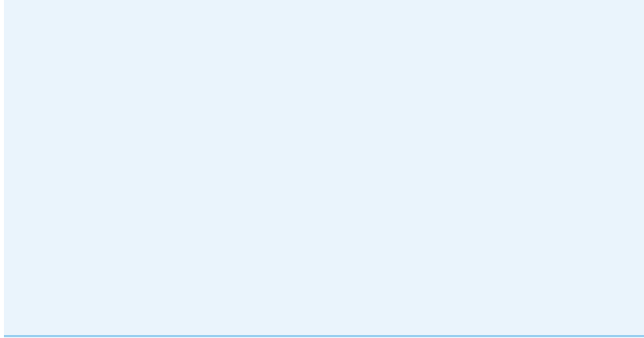
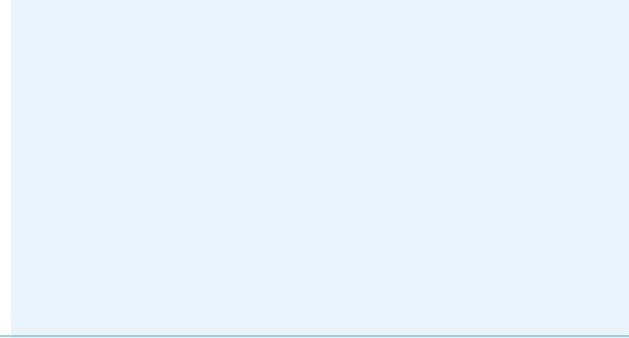
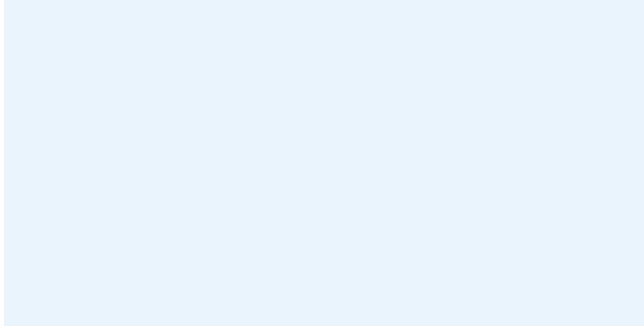



Domestic appliances for those who like going one step further. For those who will not settle for being like the rest.

TOTAL

Designed for those who demand everything of their appliances, for everyone in the house. Maximum effectiveness in any situation.

EASY

For those who prefer no complications in the kitchen without denying themselves an appliance that gives so much while asking for so little in return.

_ M A E S T R O	_ T O T A L
WASHING MACHINE	TUMBLE DRYER
7 KG	7 KG
	
	
	 <p>TKS 850 C</p>
 <p>L4 1470 E</p>	



CODE: 40821030

LSI4 1470 E

MAESTRO



Integrated washer- dryer

- Washing capacity : 7 kg
- Drying capacity : 4 kg
- 12 washing programmes
- 3 drying programmes
- Maximum spin speed : 1400 rpm
- Electronic control panel
- Electronic washing management (Fuzzy Logic)
- Fast program 15 minutes
- Automatic water regulation
- Delay timer 1-24h
- Balance control system
- Foam control system, 30 cm wide porthole
- Reversible door
- Function buttons for : on/off, delayed programming, extra rinse, spinning exclusion and easy ironing
- Energy class A/A

COLOR
White

EXTERNAL DIMENSIONS

825/850 mm 596 mm 545 mm



CODE: 40830100

LI4 1470 E

MAESTRO



Integrated washing machine

- Washing capacity : 7 kg
- 15 washing programmes
- Electronic control panel
- Maximum spin speed : 1400 rpm
- Electronic washing management (Fuzzy Logic)
- Fast program 15 minutes
- 30 cm wide porthole
- Function buttons for : on/off, delayed programming, extra rinse, spinning exclusion, easy ironing and temperature
- Automatic water regulation
- Delay timer 1-24h
- Balance control system
- Foam control system
- Children safety block
- Energy class A+/A

COLOR
White

EXTERNAL DIMENSIONS

825/850 mm 596 mm 560 mm



CODE: 40874454

SPA TKD 1610 WD

MAESTRO



Freestanding washer-dryer

Washing capacity : 10 kg
 Drying capacity : 7 kg
 Woolmark Apparel Care®
 BLDC Inverter Motor
 16 washing programs, 6 drying programmes
 Electronic control panel, Digital display LCD
 Maximum spin speed : 1600 rpm
 Electronic washing management (Fuzzy Logic)
 Special Programs Wool, baby care and 15'
 Special program 1hour wash + Dry
 Fast program 15 minutes, 32 cm wide crystal door
 Function buttons for : on/off, delayed programming, extra rinse, spinning selection, fast program and temperature
 Automatic water regulation
 Delay timer 1-24h, Balance control system
 Locking system in case of lack of water or electricity
 Foam control system
 Energy class A/A

COLOR

Fingerprint proof stainless steel

EXTERNAL DIMENSIONS

↑ 850 mm → 595 mm ↻ 630 mm



CODE: 40874442

SPA TKD 1480

MAESTRO



Freestanding washing machine

Washing capacity: 8 Kg
 16 washing programs
 Woolmark certification
 Maximum spin speed: 1400 r.p.m
 Electronic control panel, LCD display
 Electronic washing management (Fuzzy Logic)
 Fast program 15 minutes
 My Cycle program
 Special programs: wool, children's clothing and 15'
 Delay timer 1-24h
 Balance control system
 Locking system in case of lack of water or electricity
 Foam control system, 32 cm wide porthole
 Function buttons for: on/off, program selector, delay programming, temperature, spinning exclusion and special functions
 Energy class: A+++/B

COLOR

Fingerprint proof stainless steel

EXTERNAL DIMENSIONS

↑ 850mm → 595 mm ↻ 565 mm





CODE: 40854101

TKS 850 C

ENERGY CLASS TOTAL



Freestanding dryer

- Condenser dryer
- 16 programs
- Drying capacity: 8 Kg
- Electronic control panel with display
- Delay timer 1-24h
- 4 Power levels
- End of cycle alarm
- Speed dry function
- Humidity sensor
- Anti-crease program
- Delicate clothing program
- Cooling program
- Bi- direction rotation
- Remaining time indicator
- Removable filter with saturation
- LED indicators for: on/off, filter saturation and full tank
- Inner light
- Energy class: B

COLOR

White

EXTERNAL DIMENSIONS

845mm x 595 mm x 615 mm



PRODUCT FICHE ACCORDING TO COMMISSION DELEGATED REGULATION (EU) NO 65/2014

MODEL	LSI4 1470 E	TKD 1610 WD
PRODUCT FICHE		
Energy efficiency class (1)	A	A
Energy consumption for washing, spinning and drying, kWh (2)	4,76	6,8
Energy consumption for washing and spinning per cycle, kWh (3)	1,19	1,3
Washing performance class (1)	A	A
Water remaining after spinning in % (as a proportion of dry weight of wash)	50	44
Maximum spin speed (rpm)	1400	1600
Washing capacity (kg) for a standard 60°C cotton washing cycle	7	10
Drying capacity (kg) for a standard "dry cotton" drying cycle	4	7
Water consumption for washing, spinning and drying, l (4)	99	130
Water consumption for washing and spinning, l (5)	47	50
Washing and drying time (min) (6)	390	334
Energy consumption, always using the dryer (kWh/year) (7)	952	1360
Water consumption, always using the dryer (l/year) (7)	19800	26000
Energy consumption, never using the dryer (kWh/year) (7)	238	260
Water consumption, never using the dryer (l/year) (7)	9400	10000
Noise during washing/spinning/drying, [dB(A) re 1 pW] (8)	56/72/58	56/78/62
OVERALL MEASUREMENTS		
Height (mm)	820/850	850
Width (mm)	596	595
Depth (mm)	560	630
BUILT IN DOOR MEASUREMENTS		
Height (mm)	670	-
Width (mm)	596	-
POWER SUPPLY		
Voltage (V)/ Hz	220-240/50	220-240/50
Nominal Power (W)	2200	2000
Nominal Power motor (W)	340	500/50
Nominal Power heating element (W)	2000	1200
Nominal Power heating dryer element (W)	920-1840	1300
FEATURES		
Electronic control	•	•
Fingerprint proof stainless steel	-	-
Electronic washing management	•	•
N° of programs	12+3	16+6
Balance control	•	•
Humidity sensor	•	•
Cancel spin cycle button	•	•
Glass door diameter (cms)	30	32
Reversible door	•	-
Adjustable feet front/back	•/•	•/•
Double water inlet (warm-cold)	-	-
Removable work top	-	-
Stainless steel drum	•	•
Child lock	•	•
CONTROL PILOT LIGHTS		
On/off	•	•
Extra rinse	•	•
Remaining time	•	•
Delay timer	1-24h	1-24h
Drying	•	•
SPECIAL FUNCTIONS		
Quick wash	•	•
Resistant	•	•
Delicate spin	•	•
Easy ironing/anti crease	•	-
Extra rinse	•	•
Delay timer	•	•

(1) On a scale from D (least efficiency) to A+++ (most efficiency)

(2) Energy consumption for washing, spinning and drying, in kWh per complete operating cycle using standard 60°C cotton cycle and "dry cotton" drying cycle

(3) Energy consumption for washing and spinning only in kWh per cycle using standard 60°C cotton cycle

(4) Water consumption for washing, spinning and drying in litres per complete operating cycle

(5) Water consumption for washing and spinning only in litres per cycle using standard 60°C cotton cycle

(6) Washing and drying time, Programme time for complete operating cycle (60°C cotton washing and "dry cotton" drying) for rated washing capacity (min)

(7) Estimated annual energy/water consumption based on 200 complete operating cycles for a four-person household,

(8) Noise using standard 60°C cotton washing cycle according with Directive 86/594/EEC 77, [dB(A) re 1 pW]:

PRODUCT FICHE ACCORDING TO COMMISSION DELEGATED REGULATION (EU) NO 65/2014

MODELS	LI4 1470 E	SPA TKD 1480
PRODUCT FICHE		
Washing capacity (Kgs)	7	8
Energy efficiency (1)	A+	A+++
Energy consumption per year (kWh)(2)	218	196
Consumption/ cycle energy (kWh) (3)	1,08/0,98/0,8	1,05/0,84/0,63
Power consumption in off-mode and left-on mode	0,2/0,8	0,5/1,0
Water consumption (litre/year) (4)	10340	11000
Spinning efficiency (5)	A	B
Maximum spinning speed	1400	1400
Percentage of water after the spinning	54,5	53
Cycle duration (minutes) (3)	150/150/150	179/179/179
Noise level dB washing/spinning	56/72	59/78
OVERALL MEASUREMENTS		
Height (mm)	820/850	850
Width (mm)	596	595
Depth (mm)	560	565
BUILT IN DOOR MEASUREMENTS		
Height (mm)	670	-
Width (mm)	596	-
POWER SUPPLY		
Voltage (V)/ Hz	220-240/50	220-240/50
Nominal Power (W)	2200	2000
Nominal Power motor (W)	340	500
Nominal Power heating element (W)	2000	1800
FEATURES		
Electronic control		•
Fingerprint proof stainless steel	-	• / White
Electronic washing management	•	•
N° of programs	15	16
Balance control	•	•
Cancel spin cycle button	•	•
Glass door diameter (cms)	30	32
Reversible door	•	-
Adjustable feet front/back	• / •	• / •
Double water inlet (warm-cold)	-	-
Removable work top	-	-
Stainless steel drum	•	•
Child lock	•	•
CONTROL PILOT LIGHTS		
On/off	•	•
Extra rinse	•	•
Remaining time	•	•
Delay timer	1-24h	1-24h
SPECIAL FUNCTIONS		
Quick wash	•	•
Resistant	•	•
Delicate spin	•	•
Easy ironing	•	-
Extra rinse	•	•
Delay timer	•	•

(1) Energy efficiency class "X" on a scale from D (least efficiency) to A+++ (most efficiency)

(2) Energy consumption "X" kWh per year, based on 220 standard washing cycles for cotton programmes at 60°C and 40°C at full and partial load, and the consumption of the low-power modes. Actual energy consumption will depend on how the appliance is used.

(3) Real energy consumption and program times of the standard 60° cotton programme to full load and partial load and of the standard 40°C cotton programme at partial load.

(4) Water consumption "X" litres per year, based on 220 standard washing cycles for cotton programmes at 60°C and 40°C at full and partial load. Actual water consumption will depend on how the appliance is used.

(5) Spin-drying efficiency class "X" on a scale from G (least efficient) to A (most efficient).

Note: "standard 60°C cotton programme" and the "standard 40°C cotton programme" are the standard washing programmes to which the information in the label and the fiche relates, that these programmes are suitable to clean normally soiled cotton laundry and that they are the most efficient programmes in terms of combined energy and water consumption.



MODELS

TKS 850 C

PRODUCT FICHE

Drying capacity (Kgs)	8
Drying technology	Condenser
Energy efficiency (1)	B
Energy consumption (kWh) (2)	561
Automatic (sensor drying)	YES
Energy cycle consumption full/partial load (kWh)	4,74/2,16
ConsumptiOn/off and left on modes	0,28/0,8
Programm duration Tt, T1,T 1/2 (minutes) (3)	112/140/90
Condensation efficiency (4)	B
Condensation percentages C1, C1/2, Ct (5)	80,1%/80,1%/80,1%
Noise level (dBA)	69

OVERALL MEASUREMENTS

Height (mm)	845
Width (mm)	595
Depth (mm)	615

POWER SUPPLY

Voltage (V)/Hz	220-240/50
Nominal Power (W)	2700
Nominal Power motor (W)	200
Nominal Power heating dryer element (W)	2500

FEATURES

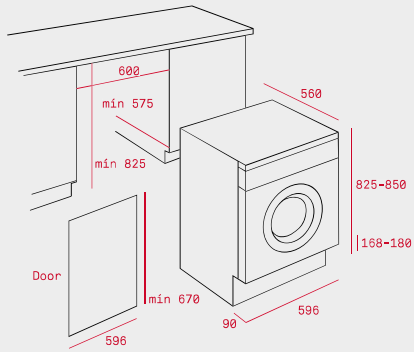
Electronic control	
Drum	Galvanized
Fingerprint proof stainless steel	-
Drying/washing electronic management	
N° of programs	16
Reversible door	-
Adjustable feet front/back	- / •
Condensed water deposit	upper
Posibility to drain water	•
Bidirectional rotation	•
Humidity sensor	•
Drum light	•
Child lock	•

CONTROL PILOT LIGHTS

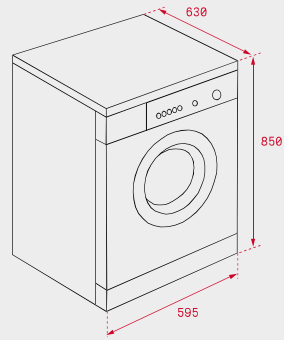
On/off	•
Drying	•
Remaining time	•
Delay timer	1-24h
Full water tank	•
Drying timer	30-150'
Full filter saturation	•

SPECIAL FUNCTIONS

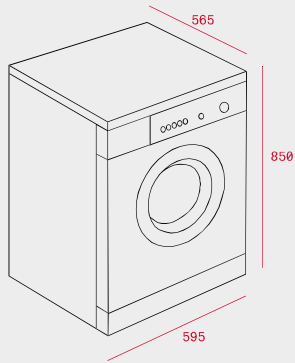
Automatic ventilation program	•
Removable filter	•
Anti-crease	•
Delicate fabrics	•



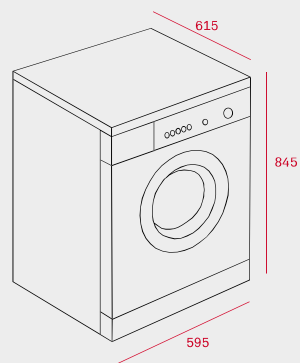
LSI4 1470 LI4 1470



TKD 1610



SPA TKD 1480



TKS 850 C