

A man with dark hair, wearing a red button-down shirt and a white apron, is smiling as he chops vegetables on a wooden cutting board in a kitchen. He is holding a large knife. On the counter, there is a red bell pepper, a lemon, and some bread. In the background, there is a stainless steel pot on a stove and a blurred kitchen shelf.

I WISH

MIXING A WORLD OF  
FLAVORS IN MY PAN

by  
TEKA HOBS



# H O B S

WISHES COME TRUE

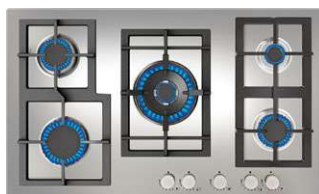
*However you cook, Teka turns it into a genuine  
experience as if it is WISH granted.  
Teka hobs are synonymous with cleaning, safety and efficiency.*



## RANGE OVERVIEW



*Maestro*



*Total*

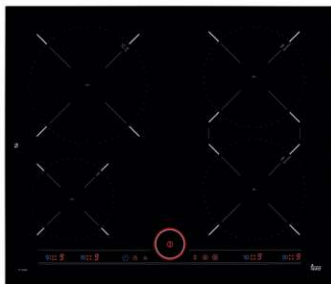


*Easy*

# WISH HOBBS

*The real choice whatever your preference is*

TEKA OFFERS THE WIDEST AND MOST ATTRACTIVE HOB RANGE. FROM HIGH-TECH INDUCTION TO VITROCERAMIC OR TRADITIONAL GAS HOBBS. THE RANGE INCLUDES A DIVERSE ARRAY OF SPECIAL GEOMETRICAL SHAPES, DIFFERENT SIZES, COLOURS AND FINISHES.



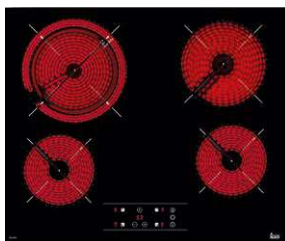
## INDUCTION HOBBS

They are a new level of sophistication. Cook without limits with the Space models.



## DOMINO HOBBS

Teppan Yaki, Space induction, vitroceramic, gas on glass, traditional gas... what's your choice?



## VITROCERAMIC HOBBS

Teka has a solution for every need. Just have a look at its wide, comprehensive range!



## GAS HOBBS

With Autolock Safety and Auto-ignition for maximum comfort.



## GAS ON GLASS HOBBS

A beautiful composition of glass and cast iron, even with Touch control!



## Avant-garde design

PERSONALIZE THE HOB ACCORDING TO YOUR STYLE. TWO NEW FINISHES HAVE BEEN ADDED TO THE FULLY BEVELLED GLASS AND FRAMELESS GLASS FINISHES: FRONT BEVELLED AND THE SLIM METAL FRAME.



### FRONTAL BEVELLED

The new bevelled finish on the front of the hob shows that, in addition to its functions, you like details and new ideas. Another alternative to the full bevelled finish.



### SLIM METAL FRAME

The new varnished aluminium frame completely surrounds the hob, protecting it from any blows. It brings personality and an elegant designer touch



### FULL BEVELLED GLASS

A finish that is the same on all four sides of the hob. Sober and efficient, it further reduces the entry and accumulation of dirt. A classic in your kitchen that Teka has reinterpreted with each generation of hobs.



### FRAMELESS GLASS

To offer complete integration in your hob. Pure discretion, its characteristic design underscores its width and focuses on aesthetic balance and coordination with the rest of your appliances.



# THE COOKING TABLET

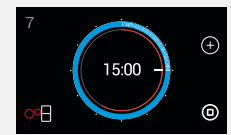


*Induction with a 7-inch screen*

THE NEW *TABLET* IRF 9480 TFT INDUCTION HOB IS NOT A HOB WITH A SCREEN, BUT RATHER A GENUINE TABLET THAT COOKS. BECAUSE ITS 7" SCREEN, ENSURES MAXIMUM CONTROL.



**RED LED:** Power level



**BLUE LED:** Cooking time



## DIRECT FUNTIIONS



**MELTING**

ideal for melting chocolate or enjoying fondues.



**SIMMERING**

cooking over low heat, as the experts do.



**KEEP WARM**

keeps foods hot until it's time to serve them.



**QUICK BOLING**

A fast boil, essential for when we are in a hurry.

**PLANNER**

Add notes, reminders of important dates, etc. That way, you won't forget anything.

**UTILITIES**

Consult the energy used by each cooking zone or the instruction manual. Easy, isn't it?

**RECIPES**

15 pre-programmed recipes and you can include your favourites and store them in folders, and even add your own weekly menu.

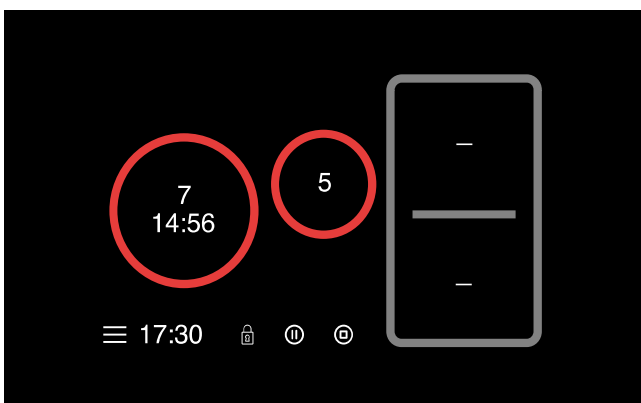
**SETTINGS**

Select language, screen brightness, chronometer, timer, sound or sleep mode (to programme the shut-off), among other utilities.



TRUE COLOR 7" TFT TOUCH SCREEN

DIRECT FUNCTIONS SCREEN





# i K N O B H O B

*The most advanced concept of induction precision*

THE NEW *IKNOB* INDUCTION REFUSES TO GO UNNOTICED. BECAUSE EVERYTHING HAS BEEN DESIGNED SO YOU CAN ENJOY ITS EASY USE AND INTELLIGENT INNOVATION.



**EXTRACTABLE MAGNETIC CONTROL:  
A LEVEL OF PRECISION YOU HAVE  
NEVER KNOWN BEFORE.**



With this control, not only can you select the power (red LED) or the cooking time (blue LED) for each zone:

it is completely extractable, and when removed it makes clean-up easier but also locks the control panel, bringing you total safety. Just press it to unlock.

The **iKnob induction's precise control** allows you to easily use all its special functions. An **independent programmer and display** for each cooking zone allows you to control their individual time and temperature.

The **new serigraphy**, cleaner and more precise in the cooking zones; its Stop&Go function or the safety locking are features designed for those who want to go one step further.

The **control panel** is **invisible** until its backlit LEDs are activated by pressing the On/Off Sensor on its unmistakable rotary control, the star of the kitchen.



# MULTISLIDER

*New control panels*



TEKA HAS DEVELOPED A NEW GENERATION OF COOKING ZONE TOUCH CONTROLS CALLED MULTISLIDER.

## MULTISLIDER PRO



The new generation of sliding touch controls brings you the greatest level of precision yet developed.

### MULTISLIDER PRO

in addition to direct individual control of each cooking zone, offers various special functions directly accessible just by pressing the corresponding icon:



#### Melting

(45°–55°C)

Ideal for preparing fondues or melting chocolate.



#### Simmering

(80–90°C slow cooking)

The temperature is close to boiling.



#### Keep Warm

(35°C)

Dishes will maintain their ideal temperature until it's time to serve them.



#### iQuick Boiling

(100–110°C)

The hob reaches boiling point as fast as possible.

## MULTISLIDER



You can raise the temperature of each cooking zone just by running your finger over its straight line. The power level will appear on each display, as will the programmed time needed for each recipe.

Available in a large variety of hobs, so that whichever one you choose you can always enjoy the MultiSlider advantages and precision.

**This makes it possible to independently control each zone without needing to pre-select it beforehand. Each cooking zone has its own sliding touch control. Stunningly easy to use. Stunningly beautiful.**

# INDUCTION

*Much faster, cleaner, safer and energy efficient*

THESE HOBS ARE USER FRIENDLY, EASY TO CLEAN AND EFFORT FREE. MANUFACTURATED TO ENSURE YOU ONLY USE THE ENERGY YOU NEED. THEY REDUCE COOKING TIME AND KEEP THE SURFACE COOL AND SAFE.



## INDUCTION TECHNOLOGY

An electromagnet located beneath the glass surface creates a powerful magnetic field which fits the size and shape of the cookWare and heats only its base while adjacent areas remain cold. Up to 90% of the energy consumed is transferred to the pot being used.



## TRADITIONAL TECHNOLOGIES

A high percentage of the energy is wasted heating the entire surface of the cooking area and the surrounding air. In a gas hob only 55% of the energy used to heat the pan reaches it when it is being used.



### THE FASTEST WAY OF COOKING

Teka's Induction is simply the quickest way to cook. It boils water faster than a comparable gas or vitroceramic hob.



### REALLY EASY TO CLEAN

Since the surface of the hob is only heated by the pot, it is easy to swipe with a damp cloth avoiding the need to rub, as it happens with traditional hobs.



### EXTRA SAFE

Induction hobs feature automatic pan recognition creating heat precisely where needed, under the pot. Avoid burning!

### **Teka induction hobs: The best option**

*Teka's induction hobs guarantee you maximum energy precision to meet your needs with no efficiency loss.*

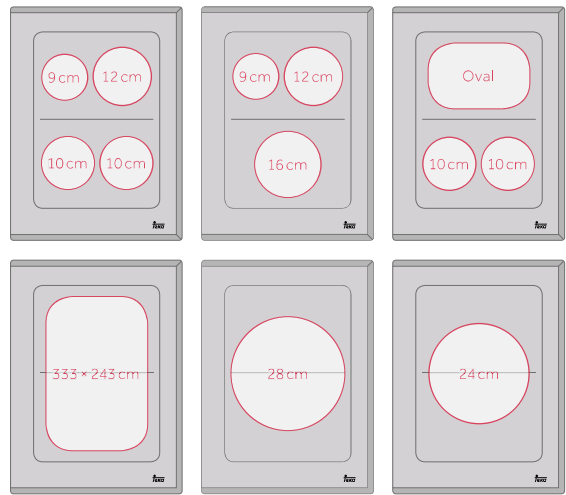
*Efficient hobs even in the manufacturing process.*

*The ceramic-glass of our induction hobs is fully recyclable, 100% free.*

# SPACE INDUCTION

*Cook without limitations*

WITH A 30% EXTRA SURFACE AREA YOU CAN NOW COOK WITH REAL FREEDOM USING SEVERAL PANS



HOBBS

## SPACE LIMITATIONS ARE NO LONGER AN ISSUE!

Teka Space induction hobs thanks to its latest generation technology, allows you to use really large pots or several small ones at the same time with no energy waste

### PAN OPTIMIZATION SYSTEM

No matter which pot you use! This exclusive system adapts the power according to your cookWare quality, guaranteeing your food is cooked at the ideal temperature.

### POWER PLUS

Are you in a hurry? Do you need fast boiling or to brown meat intensely? This function increases total power up to 70% reaching 3.700W in one or various cooking zones for 10 minutes maximum.

### ZONE PROGRAMMER

Set the timer which automatically switches off the zone!. An acoustic alarm can be set up for 99 minutes and allows you to programme all the heating elements at the same time.

### MUTE FUNCTION

Allows to silence the changes of level of cooking, leaving those functions in which audible warning device is required.

### STOP & GO

If you are called away this function pauses the cooking process for 10 minutes. Once you return and press the button again, the hob will automatically restore the previous settings (temperature, timer, etc...)

### SYNCHRO

Do you cook fish in a fish pan? The Synchro function allows the simultaneous activation of two zones for a larger cooking surface.



# WISH HOBBS

*Minimum consumption, highly accurate and very easy to use*

## INDUCTION & CERAMIC HOBBS






### \_ MAESTRO

TFT

IKNOB

SLIDER

TOUCH CONTROL

INDUCTION	FLEX	 IRF 9480			
	90		 IR 9530		
MODULAR	60	 IT 6450			
				 IRF 3200	
VITROCERAMIC	90			 TR 951	
	60				
	MODULAR				

## MAESTRO

Domestic appliances for those who like going one step further. For those who will not settle for being like the rest.

## TOTAL

Designed for those who demand everything of their appliances, for everyone in the house. Maximum effectiveness in any situation.

## EASY

For those who prefer no complications in the kitchen without denying themselves an appliance that gives so much while asking for so little in return.

### \_ TOTAL

SLIDER



IRS 641 WHITE

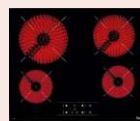
### \_ EASY

MULTISLIDER



IZ 6415

TOUCH CONTROL



TR 6415



TT 6515



VT CM



TR 3220

MECHANICAL

# GAS HOBS

## \_ MAESTRO

CRISTAL GAS

GAS

90



CGW LUX 90 TC 5G



CGW LUX 90 5G



EW 90 5G

60



CGW LUX 60 4G

MODULAR



CGW LUX 30.1 2G AIAL CI

GAS

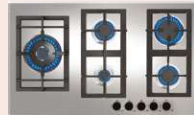


**\_ TOTAL**

INOX GAS



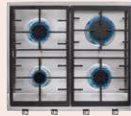
EX 90,1 5G DR



EFX 90,1 5G DR LEFT



EFX 60,1 4G DR



EX 60,1 4G



EX 60,1 3G 1P



EH 60 4G TR  
BRIGHT CREAM



HLX 60 4G



EFX 30,1 2G



EFX 30,1 2P



EFX 30,1 2H



EFX 30,1 GRILL



EFX 30,1 FRYER

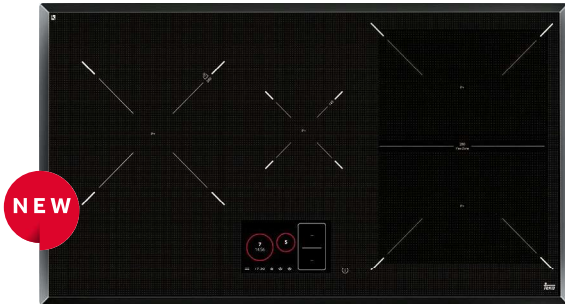


EFX 30,1 TEPPANYAKI

**\_ EASY**

INOX GAS

90 CM



**NEW**

CODE: 10210184

### IRF 9480 TFT TABLET

**\_MAESTRO**



#### 90 cm Space induction hob

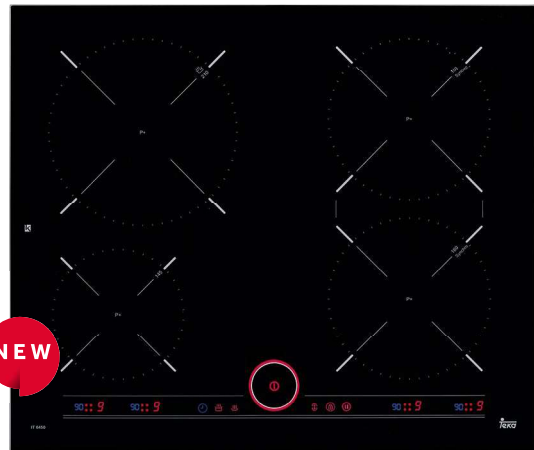
- 7" Touch screen color
- 15 Pre-programmed recipes
- 1 FlexiZone 280 x 385 mm
- Cooking time programmer
- Independent programmer of each cooking zone
- Extra menus: Recipes, Planning, Utilities & Settings
- Power Plus function
- 4 special iCooking functions: iQuick boiling, Simmering, Melting and Keep warm
- Stop&Go Function
- Pan optimization system
- Power management function
- Mute function
- Pan detector
- Security blocking
- Residual heat indicators
- 4 cooking zones:
  - 1 induction Ø 145 mm
  - 2 Flex induction 270 x 180 mm=280x385
  - 1 induction Ø 280 mm
- Total nominal power: 7.400 W

#### FRAME

Bevelled glass

#### EXTERNAL DIMENSIONS

➔ 900 mm ⬆ 510 mm



**NEW**

CODE: 10210182

### IT 6450 iKNOB

**\_MAESTRO**



#### 60 cm induction hob

- iKNOB touch control
- Cooking time programmer
- Independent programmer of each cooking zone
- Power Plus Function
- iQuick boiling & Keep warm function
- Stop&Go Function
- Pan optimization system
- Power Management function
- Mute Function
- Pan detector
- Security blocking
- Residual heat indicators
- Synchro Function (only IT 6450 model)
- 4 cooking zones:
  - 1 induction Ø 210 mm
  - 2 induction Ø 180 mm
  - 1 induction Ø 145 mm
- Total nominal power: 7.400 W

#### FRAME

New slim metal frame

#### EXTERNAL DIMENSIONS

➔ 605 mm ⬆ 515 mm

90 CM



CODE: 10210163

### IR 9530

**\_MAESTRO**



#### 90 cm induction hob

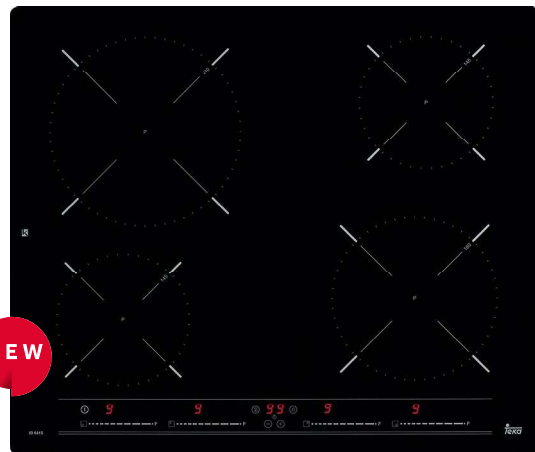
- Touch control slider
- Cooking time programmer
- Independent programmer of each cooking zone
- iQuick boiling function (Ø 280 mm zone)
- Keep warm function
- Power Plus function
- Synchro function
- Stop&Go Function
- Pan optimization system
- Pan detector
- Low-temperature function
- Security blocking
- Residual heat indicators
- 5 cooking zones:
  - 1 induction Ø 190/300 mm
  - 2 induction Ø 180 mm
  - 1 induction Ø 210 mm
  - 1 induction Ø 145 mm
- Total nominal power: 11.000 W

#### FRAME

IR=Frameless glass

#### EXTERNAL DIMENSIONS

➔ 900 mm ⬆ 510 mm



CODE: 10210161

### IZ 6415

**\_EASY**



#### 60 cm induction hob

- MultiSlider touch control
- Cooking time programmer
- Independent programmer of each cooking zone
- Power function
- Stop&Go Function
- Power Management function
- Mute function
- Pan detector
- Security blocking
- Residual heat indicator
- 4 cooking zones:
  - 1 induction Ø 210 mm
  - 1 induction Ø 180 mm
  - 2 induction Ø 145 mm
- Total nominal power: 7.200 W

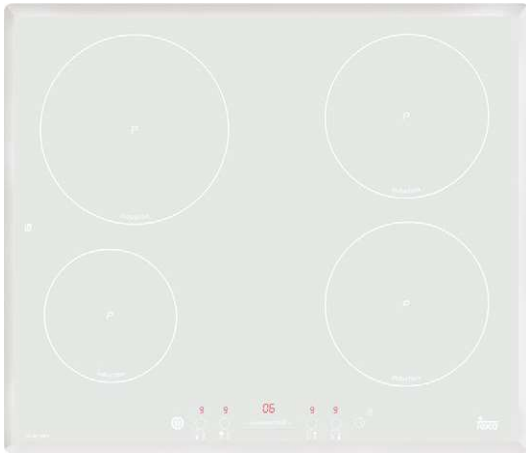
#### FRAME

IZ=Frontal bevelled

#### EXTERNAL DIMENSIONS

➔ 600 mm ⬆ 510 mm





CODE: 10210102

## IRS 641 WHITE

**— TOTAL**



### 60 cm induction hob

- Slider touch control panel
- Cooking time programmer
- Independent programmer of each cooking zone
- Power function
- Pan optimization system
- Keep warm function
- Low temp function
- Mute function
- Security blocking
- Residual heat indicator
- 4 cooking zones :
  - 1 induction Ø 210 mm
  - 2 induction Ø 180 mm
  - 1 induction Ø 145 mm
- Total nominal power: 7000 W

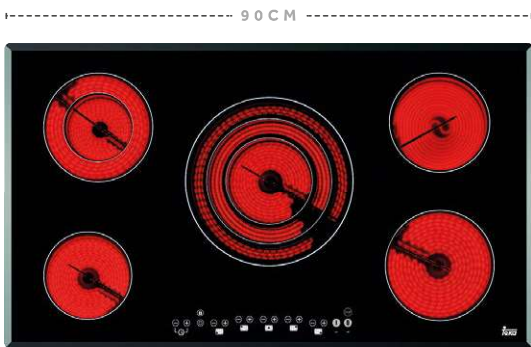
**— FRAME**

White finish Bevelled glass

**EXTERNAL DIMENSIONS**

➔ 600 mm ➕ 510 mm





CODE: 10210002

**TR 951**

**MAESTRO**



**90 cm vitroceramic hob**

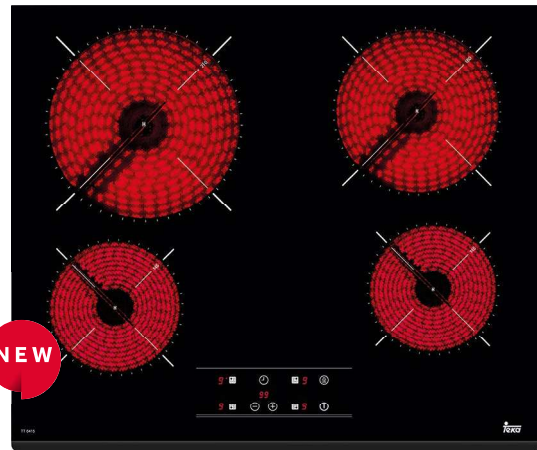
- Touch control panel
- Cooking time programmer
- Independent programmer of each cooking zone
- Burst of cooking function
- Stop and Go function
- Security blocking
- Residual heat indicator
- 5 cooking zones :
  - 1 high light Ø 145/210/270 mm
  - 1 high light Ø 120/180 mm
  - 1 high light Ø 180 mm
  - 1 high light Ø 160 mm
  - 1 high light Ø 145 mm
- Total nominal power: 8.900 W

**FRAME**

TR= Bevelled glass

**EXTERNAL DIMENSIONS**

➔ 900 mm ⬆ 510 mm



CODE: 40239043

**TR 6415**

**EASY**



**60 cm vitroceramic hob**

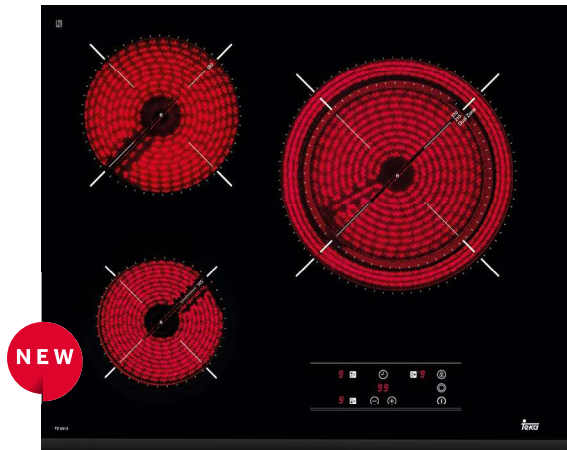
- Touch control panel
- Cooking time programmer
- Independent programmer of each cooking zone
- Burst of cooking function
- Security blocking
- Residual heat indicator
- 4 cooking zones :
  - 1 high light Ø 210 mm
  - 1 high light Ø 180 mm
  - 2 high light Ø 145 mm
- Total nominal power: 6.300 W

**FRAME**

TR= Bevelled glass

**EXTERNAL DIMENSIONS**

➔ 600 mm ⬆ 510 mm



NEW

CODE: 40239031

**TT 6315**

**— \_EASY**



**60 cm vitroceramic hob**

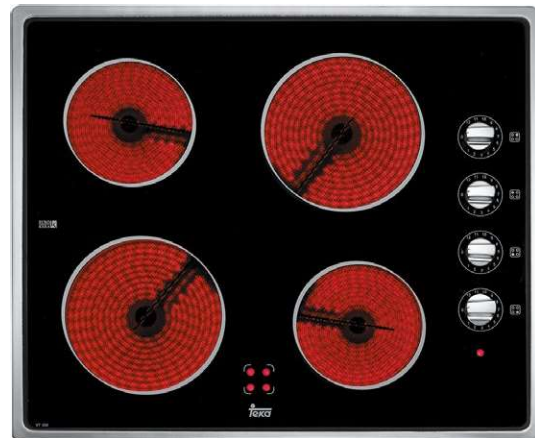
- Touch control panel
- Cooking time programmer
- Independent programmer of each cooking zone
- Burst of cooking function
- Security blocking
- Residual heat indicator
- 3 cooking zones :
  - 1 high light Ø 210/270 mm
  - 1 high light Ø 180 mm
  - 1 high light Ø 145 mm
- Total nominal power: 5.400 W

**—**  
**FRAME**

TT= Slim metal frame

**EXTERNAL DIMENSIONS**

➔ 605 mm ⬆ 515 mm



CODE: 10204016

**VT CM**

**— \_EASY**

**60 cm vitroceramic hob**

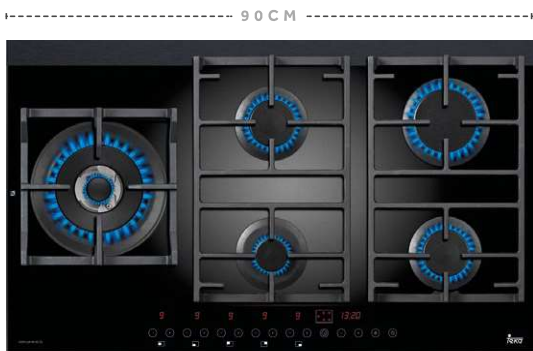
- Mechanical control panel
- Residual heat indicator
- 4 cooking zones :
  - 2 high light Ø 180 mm
  - 2 high light Ø 145 mm
- Total nominal power: 6000 W

**—**  
**FRAME**

Stainless steel

**EXTERNAL DIMENSIONS**

➔ 600 mm ⬆ 510 mm



CODE: 40217320

**CGW LUX 90 TC 5G AI AL DR CI**

**MAESTRO**



**Touch control 90 cm gas on glass hob**

- Double ring burner
- Cast iron grids
- Cooking programmer
- Auto-ignition
- Auto-lock safety device
- Residual heat indicators
- 5 cooking zones:
  - 1 double ring burner (4,2 kW)
  - 1 fast burner (2,8 kW)
  - 1 semi-fast burner (1,75 kW)
  - 1 semi-fast burner (1,4 kW)
  - 1 auxiliary burner (1 kW)
- Gas typology: LPG (butane/propane), natural

**FRAME**

Frameless ceramic glass

**EXTERNAL DIMENSIONS**

⬆ 512 mm ➡ 870 mm



CODE: 40215300

**CGW LUX 90 5G AI AL DR CI**

**MAESTRO**



**90 cm gas on glass hob**

- Double ring burner
- Cast iron grids
- Auto-ignition
- Auto-lock safety device
- Black frontal knobs
- 5 cooking zones:
  - 1 double ring burner (5 kW)
  - 1 fast burner (2,8 kW)
  - 1 semi-fast burner (1,75 kW)
  - 1 semi-fast burner (1,4 kW)
  - 1 auxiliary burner (1 kW)
- Gas typology: LPG (butane/propane), natural

**FRAME**

Frameless ceramic glass

**EXTERNAL DIMENSIONS**

⬆ 512 mm ➡ 870 mm



CODE: 40216119

## CGW LUX 60 4G AI AL CI

**MAESTRO**



### 60 cm gas on glass hob

Cast iron grids  
 Auto-ignition  
 Auto-lock safety device  
 Black frontal knobs  
 4 cooking zones:  
 1 fast burner (2.8 kW)  
 1 semi-fast burner (1.75 kW)  
 1 semi-fast burner (1.4 kW)  
 1 auxiliary burner (1 kW)  
 Gas typology: LPG (butane/propane), natural

### FRAME

Frameless tempered glass

### EXTERNAL DIMENSIONS

⬆ 512 mm ➡ 610 mm

----- 90 CM -----



CODE: 40219018

## EW 90 5G AI AL TR CI

**MAESTRO**



### 90 cm gas hob

Triple ring burner  
 Cast iron grids  
 Metal looking frontal knobs  
 Auto-ignition  
 Auto-lock safety device  
 5 cooking zones:  
 1 triple ring burner (3.1 kW)  
 1 fast burner (2.8 kW)  
 1 semi-fast burner (1.75 kW)  
 1 semi-fast burner (1.4 kW)  
 1 auxiliary burner (1 kW)  
 Gas typology: LPG (butane/propane), natural

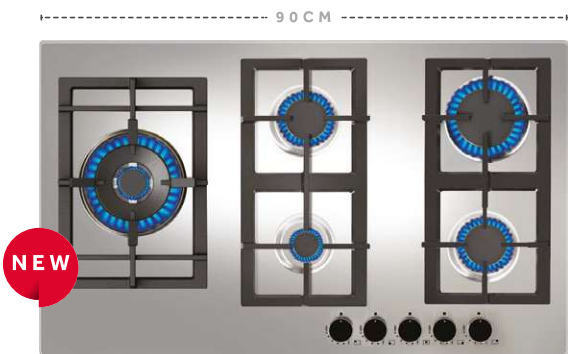
### FRAME

Stainless Steel

### EXTERNAL DIMENSIONS

⬆ 520 mm ➡ 870 mm





CODE: 40211631

**EFX 90.1 5G AI AL DR LEFT**

**■ \_TOTAL**



**90 cm gas hob**

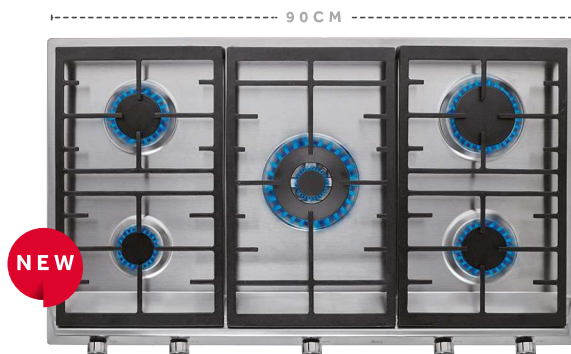
- Double ring burner
- Cast iron grids
- Metallic and glossy black looking frontal knobs
- Auto-ignition
- Auto-lock safety device
- High efficiency burners
- 5 cooking zones:
  - 1 double ring burner (4 kW)
  - 1 fast burner (3 kW)
  - 2 semi-fast burners (1.75 kW)
  - 1 auxiliary burner (1 kW)
- Gas typology: LPG (butane/propane), natural

**FRAME**

Stainless Steel

**EXTERNAL DIMENSIONS**

⬆ 510 mm ➡ 860 mm



CODE: 40212063

**EX 90.1 5G AI AL DR CI**

**■ \_TOTAL**



**90 cm gas hob**

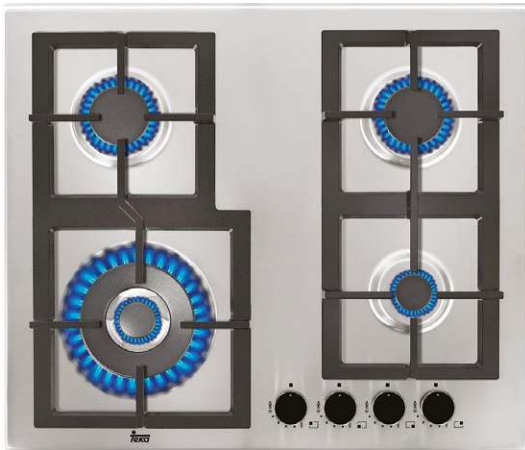
- Double ring burner
- Cast iron grids with a professional look.
- Metallic and glossy black looking frontal knobs
- Auto-ignition
- Auto-lock safety device
- High Efficiency burners.
- 5 cooking zones:
  - 1 double ring burner (4.00 kW)
  - 1 fast burner (2.8 kW)
  - 2 semi-fast burner (1.75 kW)
  - 1 auxiliary burner (1kW)

**FRAME**

Stainless Steel

**EXTERNAL DIMENSIONS**

⬆ 500 mm ➡ 860 mm



CODE: 40211351

### EFX 60.1 4G AI AL DR

— **\_TOTAL**



#### 60 cm gas hob

- Double ring burner
- Cast iron grids
- Metallic and glossy black looking frontal knobs
- Auto-ignition
- Auto-lock safety device
- High efficiency burners
- 4 cooking zones:
- 1 double ring burner (4 kW)
- 2 semi-fast burners (1.75 kW)
- 1 auxiliary burner (1 kW)
- Gas typology: LPG (butane/propane), natural

#### FRAME

Stainless Steel

#### EXTERNAL DIMENSIONS

⬆ 510 mm ➡ 600 mm



CODE: 40212003

### EX 60.1 4G AI AL CI

— **\_TOTAL**



#### 60 cm gas hob

- Cast iron grids with a professional look.
- Metallic and glossy black looking frontal knobs
- Auto-ignition
- Auto-lock safety device
- High Efficiency burners.
- 4 cooking zones:
- 1 fast burner (2.8 kW)
- 2 semi-fast burner (1.75 kW)
- 1 auxiliary burner (1 kW)

#### FRAME

Stainless Steel

#### EXTERNAL DIMENSIONS

⬆ 500 mm ➡ 580 mm



CODE: 40212081

**EX 60.1 3G 1P AI AL CI**

— **\_TOTAL**



**60 cm gas hob**

- Cast iron grids with a professional look.
- Metallic and glossy black looking frontal knobs
- Auto-ignition
- Auto-lock safety device
- High Efficiency burners.
- 4 cooking zones:
- 1 fast burner (2.8 kW)
- 1 semi-fast burner (1.75 kW)
- 1 auxiliary burner (1 kW)
- 1 electric plate 145 mm Ø (1,5 kW)

— **FRAME**

Stainless Steel

**EXTERNAL DIMENSIONS**

↑ 500 mm → 580 mm



CODE: 40229166

**HLX 60 4G AI AL**

— **\_EASY**



**60 cm gas hob**

- Enamelled grids
- Auto-ignition
- Auto-lock safety device
- Black lateral knobs
- 4 cooking zones:
- 1 fast burner (3 kW)
- 2 semi-fast burners (1.75 kW)
- 1 auxiliary burner (1 kW)
- Gas typology: LPG (butane/propane), natural

— **FRAME**

Stainless Steel

**EXTERNAL DIMENSIONS**

↑ 500 mm → 580 mm



CODE: 10206607

## E 6 0 . 2 4 P

**—** \_EASY



### Electric hob

Stainless steel

Lateral control knobs

Power-on lamp indicator

4 cooking zones:

2 solid plate 180 mm Ø (1.5 kW)

1 solid plate 145 mm Ø (1.5 kW)

1 solid plate 145 mm Ø (1 kW)

### **FRAME**

Stainles Steel

### EXTERNAL DIMENSIONS

⬆ 510 mm ➡ 600 mm



CODE: 40225070

## E H 6 0 4 G A I A L T R C I

**—** \_TOTAL



### 60 cm old style hob

Triple ring burner

Cast iron grids

Old brass frontal knobs

Auto-ignition

Auto-lock safety device

Frontal knobs "Old brass"

4 cooking zones :

1 triple ring burner (3.5 kW)

1 fast burner (3.0 kW)

1 semi-fast burner ( 1.75 kW)

1 auxiliary burner ( 1 kW)

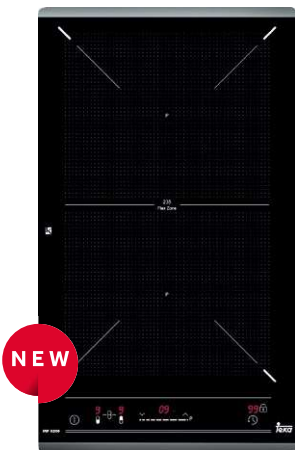
Gas typology : LPG ( butane/propane ), natural

### **FRAME**

Enamelled cream

### EXTERNAL DIMENSIONS

⬆ 500 mm ➡ 580 mm



CODE: 10210170

### SPACE IRF 3200

**MAESTRO**



#### Modular induction hob

- Touch Control Slider
- 1 FlexiZone 235x395 mm
- Cooking time programmer
- Independent programmer of each cooking zone
- Power Function
- Pan optimization system
- Pan detector
- Low temp function
- Security blocking
- Residual heat indicators
- Optional junction kit
- 2 cooking zones:
- 2 Flex induction 235 x 190 mm=235x395
- Total nominal power: 3.200 W

#### FRAME

Bevelled glass

#### EXTERNAL DIMENSIONS

⬆ 520 mm ➡ 300 mm



CODE: 40204370

### TR 3220

**EASY**



#### Modular vitroc ceramic hob

- Touch control panel
- Bevelled glass
- Security blocking
- Burst of cooking function
- Cooking time programmer
- Independent programmer of each cooking zone
- Residual heat indicator
- 2 cooking zones:
- 1 double high light (120/180 mm Ø)
- 1 high light (145 mm Ø)
- Max. nominal power: 2900 W
- Optional: junction kit

#### FRAME

Bevelled glass

#### EXTERNAL DIMENSIONS

⬆ 520 mm ➡ 300 mm





CODE: 40214406

## EFX 30.1 2 H

— **\_EASY**

### Modular vitroc ceramic hob

- Metallic and glossy black looking frontal knob
- Residual heat indicator
- 2 cooking zones:
  - 1 high light (180 mm Ø)
  - 1 high light (145 mm Ø)
- Max. nominal power: 3000 W
- Optional: junction kit



### FRAME

Stainless steel

### EXTERNAL DIMENSIONS

⬆ 510 mm ⬆ 305 mm



CODE: 40214506

### EFX 30.1 2 P

**—** **\_EASY**

#### Modular electric hob

Stainless steel  
 Metallic and glossy black looking frontal knob  
 2 cooking zones:  
 1 electric plate 180 mm Ø (2.0 kW)  
 1 electric plate 145 mm Ø (1.5 kW)  
 Max. nominal power: 3500 W  
 Optional: junction kit

**—**  
**FRAME**

Stainles Steel

**EXTERNAL DIMENSIONS**

⬆ 510 mm ➡ 305 mm



CODE: 40215986

### CGW LUX 30.1 2 G AI AL CI

**—** **\_MAESTRO**



#### Modular gas on glass hob

New professional look  
 Cast iron grid  
 Auto-ignition  
 Auto-lock safety device  
 Metallic and glossy black looking frontal knob  
 2 cooking zones:  
 1 fast burner (2.8 kW)  
 1 auxiliary burner ( 1 kW)  
 Gas typology : LPG ( butane/propane ), natural

**—**  
**FRAME**

Bevelled ceramic glass

**EXTERNAL DIMENSIONS**

⬆ 520 mm ➡ 300 mm



CODE: 40214555

## EFX 30.1 2G AI AL CI

— **\_EASY**



### Modular gas hob

Stainless steel  
 Cast iron grid  
 Auto-ignition  
 Auto-lock safety device  
 High efficiency burner  
 Metallic and glossy black looking frontal knob  
 2 cooking zones:  
 1 fast burner (3 kW)  
 1 auxiliary burner (1 kW)  
 Gas typology: LPG (butane/propane), natural

—  
**FRAME**

Stainles Steel

**EXTERNAL DIMENSIONS**

⬆ 510 mm ➡ 305 mm



CODE: 40214461

## EFX 30.1 TEPPANYAKI

— **\_TOTAL**



### Modular hob

Teppanyaki  
 Stainless steel surface  
 Metallic and glossy black looking frontal knob  
 Overheating cut-off system  
 Efficiency value more than 90%  
 High temperature resistance surface (AISI 304) max 270°C  
 Thermostat for a constant cooking temperature control.  
 Easy cleaning  
 Max.nominal power: 2400 W

—  
**FRAME**

Stainles Steel

**EXTERNAL DIMENSIONS**

⬆ 510 mm ➡ 305 mm



CODE: 40214451

### EFX 30.1 FRYER

■ \_TOTAL

#### Modular hob

- Fryer
- Stainless steel surface
- Metallic and glossy black looking frontal knob
- Overheating cut-off system
- Thermostat for a constant oil temperature control
- 2 electric resistance
- Max.nominal power: 2300 W

#### FRAME

Stainles Steel

#### EXTERNAL DIMENSIONS

⬆ 510 mm ➡ 305 mm



CODE: 40214561

### EFX 30.1 BBQ GRILL

■ \_TOTAL

#### Modular hob

- Barbacue
- Stainless steel surface
- Cast iron grid
- Metallic and glossy black looking frontal knob
- Overheating cut-off system
- 1 electric resistance
- Max.nominal power: 2400 W

#### FRAME

Stainless Steel

#### EXTERNAL DIMENSIONS

⬆ 510 mm ➡ 305 mm

MODEL	IRF 9480 TFT	IT 6450 IKNOB	IR 9530	IZ 6415	IRS 641 WHITE
<b>FEATURES</b>					
Type	Induction 7" Touch screen	Induction	Induction	Induction	Induction
Touch Control	color	IK-B Touch Control	Slider	Multislider	Slider
Space Induction	SPACE	-	-	-	-
Frame	Bevelled glass	Slim metal frame	Bevelled	IZ=Front bevelled	Bevelled
Cooking time programmer	•	•	•	•	•
Synchro function	-	•	•	-	-
Power Plus function	•	•	•	-	-
Power function	•	•	•	•	•
Stop&Go function	•	•	•	•	-
Pan optimization system	•	•	•	-	•
Power management function	•	•	-	•	-
Mute Function	•	•	-	•	-
Pan detector	•	•	•	•	•
Low-temp function	-	-	•	-	•
<b>ICOOKING DIRECT FUNCTIONS</b>					
iQuickBoiling	•	•	•	-	-
Simmering	•	-	-	-	-
Melting	•	-	-	-	-
Keep Warm	•	•	•	-	-
<b>SAFETY SYSTEMS</b>					
Residual heat indicator	•	•	•	•	•
Safety blocking	•	•	•	•	•
Automatic safety disconnection	•	•	•	•	•
<b>COOKING ZONES</b>					
Front left	Ø 280 2.300-3.700 W	Ø 145 1.400-1.800 W	Ø 145 1400-1800 W	Ø 145 1200-1500 W	Ø 145 1250/1800 W
Front middle	Ø 145 1.400-1.800 W	-	Ø 190/300 2500 / 3700 W	-	-
Front right	Flex 270 x 180 mm. 1.850-2.500 W	Ø 180 1.850 W-2.500 W	Ø 180 1800-2500 W	Ø 180 1700-2100 W	Ø 180 1750/2300W
Rear left	-	Ø 210 2.300-3.200 W	Ø 210 2.300-3.200 W	Ø 210 2.000-2.300 W	Ø 210 2250/3000 W
Rear middle	-	-	-	-	-
Rear right	Flex 270 x 180 mm. 1.850-2.500 W	Ø 180 1.850-2.500 W	Ø 180 1800-2500 W	Ø 145 1200-1500 W	Ø 180 1750-2300W
<b>HOB PERFORMANCE (ACCORDING TO EU 66/2014 REGULATION)</b>					
Ø19/30 cm ECElectric cooking-Induction, Wh/Kg	-	-	172	-	-
Ø28 cm ECElectric cooking-Induction, Wh/Kg	172	-	-	-	-
Ø18/28 cm ECElectric cooking-Induction, Wh/Kg	-	-	-	-	-
Ø26 cm ECElectric cooking-Induction, Wh/Kg	-	-	-	-	-
Ø21 cm ECElectric cooking-Induction, Wh/Kg	-	178	178	177	180
Ø18 cm ECElectric cooking-Induction, Wh/Kg	-	189	184	179	185
Ø14,5 cm ECElectric cooking-Induction, Wh/Kg	202	202	202	183	198
27 x 18 cm ECElectric cooking-Induction, Wh/Kg	Area Flex=194,3 Individual= 188,5	-	-	-	-
23,5 x 19 cm ECElectric cooking-Induction, Wh/Kg	-	-	-	-	-
Ø12/19 cm ECElectric cooking-Radiant heater, Wh/Kg	-	-	-	-	-
Energy consumption for the whole hob, Wh/Kg	189	190	184	181	190
<b>EXTERNAL DIMENSIONS</b>					
Width, mm	900	605	900	600	600
Depth, mm	510	515	510	510	510
<b>BUILT-IN DIMENSIONS</b>					
Width, mm	860	560	860	560	560
Depth, mm	490	490	490	490	490
<b>ELECTRICAL FEATURES</b>					
Voltage, V	230	230	230	230	230
Frequency, HZ	50/60	50/60	50/60	50/60	50/60
Maximum connection rating, W	7.400	7.400	11.000	7.200	7.000
Cable connection length, cm	110	110	110	110	110





MODEL	TR 951	TR 6415	TT 6315	VT CM
<b>FEATURES</b>				
Type	High light	High light	High light	High light
Touch Control	•	•	•	–
Frame	Bevelled	Bevelled	New metal frame	Stainless Steel
Metallic k-bs	–	–	–	•
Cooking time programmer	•	•	•	–
Stop&Go function	•	–	–	–
Burst of cooking function	•	•	•	–
<b>SAFETY SYSTEMS</b>				
Residual heat indicator	•	•	•	•
Safety blocking	•	•	•	–
Automatic safety disconnection	•	•	•	–
<b>COOKING ZONES</b>				
Front left	∅ 145 1200 W	∅ 210 2100 W	∅ 180 1800 W	∅ 180 1800 W
Front middle	∅ 145/210/270 1050/1950/2700 W	∅ 180 1800 W	∅ 210/270 1500/2400 W	–
Front right	∅ 180 1800 W	–	–	∅ 145 1200 W
Rear left	∅ 120/180 700/1700 W	∅ 145 1200 W	∅ 145 1200 W	∅ 145 1200 W
Rear middle	–	∅ 145 1200 W	–	–
Rear right	∅ 160 1500 W	–	–	∅ 180 1800 W
<b>HOB PERFORMANCE (ACCORDING TO EU 66/2014 REGULATION)</b>				
∅14,5/21/27 cm ECElectric cooking–Radiant heater, Wh/Kg	189,47	–	–	–
∅12/18/21 cm ECElectric cooking–Radiant heater, Wh/Kg	–	–	–	–
∅21/27 cm ECElectric cooking–Radiant heater, Wh/Kg	–	–	188,3	–
∅18/23 cm ECElectric cooking–Radiant heater, Wh/Kg	–	–	–	–
∅18/21 cm ECElectric cooking–Radiant heater, Wh/Kg	–	–	–	–
∅12/18 cm ECElectric cooking–Radiant heater, Wh/Kg	196,34	–	–	–
∅21 cm ECElectric cooking–Radiant heater, Wh/Kg	–	190	–	–
∅18 cm ECElectric cooking–Radiant heater, Wh/Kg	187,33	187,33	187,33	187,33
∅16 cm ECElectric cooking–Radiant heater, Wh/Kg	187,67	–	–	–
∅14,5 cm ECElectric cooking–Radiant heater, Wh/Kg	189,32	189,32	189,32	189,32
∅10 cm ECElectric cooking–Radiant heater, Wh/Kg	–	–	–	–
∅12/21 cm ECElectric cooking–Radiant heater, Wh/Kg	–	–	–	–
Oval 17x27 cm ECElectric cooking–Radiant heater, Wh/Kg	–	–	–	–
Energy consumption for the whole hob, Wh/Kg	190,02	188,88	188,32	188,32
<b>EXTERNAL DIMENSIONS</b>				
Width, mm	900	600	600	600
Depth, mm	510	510	510	510
<b>BUILT-IN DIMENSIONS</b>				
Width, mm	860	560	560	580
Depth, mm	490	490	490	492
Height	63	63	63	60
<b>ELECTRICAL FEATURES</b>				
Voltage, V	230	230	230	230
Frequency, HZ	50/60	50/60	50/60	50/60
Maximum connection rating,	8,900	6,300	5,400	6,000
Cable connection length, cm	110	100	110	90

MODEL	CGW LUX 90 TC 5G AI AL DR CI	CGW LUX 90 5G AI AL DR CI	CGW LUX 60 4G AI AL CI
<b>EXTERNAL DIMENSIONS</b>			
Width	870	870	610
Depth	512	512	512
<b>BUILT-IN DIMENSIONS</b>			
Width	833	833	570
Height	475	475	480
Depth (min.)	50	50	50
<b>ELECTRICAL CONNECTION</b>			
Power supply, 230 v	•	•	•
Frequency, Hz	50/60	50/60	50/60
Maximum nominal power (kW)	0,6	0,6	0,6
<b>GAS CONNECTION</b>			
Maximum power kW	11,15	11,55	6,95
<b>HEATING ELEMENTS</b>			
Electric solid plate Ø 145/1500 W	–	–	–
Double ring burner, 5,0 kW	–	1	–
Double ring burner, 4,20 kW	1	–	–
Triple ring burner, 4,00 kW	–	–	–
Triple ring burner, 3,50 kW	–	–	–
Fast burner, 3,00 Kw	–	–	–
Fast burner, 2,80 kW	1	1	1
Semifast burner, 1,75 kW	1	1	1
Semifast burner, 1,40 kW	1	1	1
Auxiliary burner, 1,00 kW	1	1	1
<b>HOB PERFORMANCE (ACCORDING TO EU 66/2014 REGULATION)</b>			
ø21 cm ECElectric cooking–Induction, Wh/Kg	–	–	–
ø14,5 cm ECElectric cooking–Induction, Wh/Kg	–	–	–
ø18 cm ECElectric cooking–Radiant heater, Wh/Kg	–	–	–
ø14,5 cm ECElectric cooking–Radiant heater, Wh/Kg	–	–	–
17 x 26,5 cm ECElectric cooking–Radiant heater, Wh/Kg	–	–	–
Ø 145 solid plate ECElectric cooking–plate heater, Wh/Kg	–	–	–
Triple ring burner EE Gas burner, %	–	–	–
Double ring burner EE Gas burner, %	52,2	61,6	–
Fast burner EE Gas burner, %	59,8	59,8	59,8
Semi-fast burner EE Gas burner, %	55	56,2	56,2
Semi-fast reduced burner EE Gas burner, %	60,3	57,8	57,8
Auxiliary burner EE Gas burner, %	n.a.	n.a.	n.a.
Energy consumption for the whole hob, Wh/Kg	–	–	n.a.
Energy efficiency for the whole gas hob, %	56,8	58,9	57,9
<b>FEATURES</b>			
Knobs	–	•	•
Auto ignition	•	•	•
Power lamp indicator	–	–	–
<b>ACCESSORIES</b>			
Enamelled grids	–	–	–
Cast iron grids	•	•	•
Individual grids	–	–	–
Grid accesory	•	•	–
Supplementary small recipient	–	–	–
<b>SAFETY SYSTEMS</b>			
Residual heat indicator	–	–	–
Automatic safety device	•	•	•
<b>FINISHING</b>			
Stainless steel frame	–	–	–
Bevelled glass	–	–	–
Frameless glass	•	•	•
Stainless steel	–	–	–
Enamelled Beige / Anthracite	–	–	–



MODEL	EW 90 5G AI AL TR CI	EFX 90.1 5G AI AL DR LEFT	EFX 60.1 4G AI AL DR
<b>EXTERNAL DIMENSIONS</b>			
Width	870	860	600
Depth	520	510	510
<b>BUILT-IN DIMENSIONS</b>			
Width	845	833	553
Height	495	475	473
Depth (min.)	70	40	40
<b>ELECTRICAL CONNECTION</b>			
Power supply 230 v	•	•	•
Frequency Hz	50/60	50/60	50/60
Maximum nominal power	1,1	1,1	1,1
<b>GAS CONNECTION</b>			
Maximum power kW	10,05	11,5	8,5
<b>HEATING ELEMENTS</b>			
Electric solid plate Ø 145/1000 W	–	–	–
Double ring burner, 4,00 kW	–	1	1
Triple ring burner, 3,50 kW	–	–	–
Triple ring burner, 3,10 kW	1	–	–
Fast burner, 3,00 kW	–	1	–
Fast burner, 2,80 kW	1	–	–
Semifast burner, 1,75 kW	1	2	2
Semifast burner, 1,40 kW	1	–	–
Auxiliary burner, 1,00 kW	1	1	1
High light ø 180, 1800 W	–	–	–
High light ø 145, 1200 W	–	–	–
<b>HOB PERFORMANCE (ACCORDING TO EU 66/2014 REGULATION)</b>			
ø21 cm ECElectric cooking–Induction, Wh/Kg	–	–	–
ø14,5 cm ECElectric cooking–Induction, Wh/Kg	–	–	–
ø18 cm ECElectric cooking–Radiant heater, Wh/Kg	–	–	–
ø14,5 cm ECElectric cooking–Radiant heater, Wh/Kg	–	–	–
17 x 26,5 cm ECElectric cooking–Radiant heater, Wh/Kg	–	–	–
Ø 145 solid plate ECElectric cooking–plate heater, Wh/Kg	–	–	–
Triple ring burner EE Gas burner, %	54	–	–
Double ring burner EE Gas burner, %	–	56,6	56,6
Fast burner EE Gas burner, %	60,2	58,8	–
Semi-fast burner EE Gas burner, %	55,9	58,0	58,0
Semi-fast reduced burner EE Gas burner, %	64	–	–
Auxiliary burner EE Gas burner, %	n.a.	n.a.	n.a.
Energy consumption for the whole hob, Wh/Kg	n.a.	n.a.	n.a.
Energy efficiency for the whole gas hob, %	58,5	57,9	57,5
<b>FEATURES</b>			
Knobs	•	•	•
Auto ignition	•	•	•
Power lamp indicator	–	–	–
<b>ACCESSORIES</b>			
Enamelled grids	–	–	–
Cast iron grids	•	•	•
Individual grids	–	–	–
Grid accessory	•	•	•
Supplementary small recipient	–	–	–
<b>SAFETY SYSTEMS</b>			
Residual heat indicator	–	–	–
Automatic safety device	•	•	•
<b>FINISHING</b>			
Stainless steel frame	–	–	–
Bevelled glass	–	–	–
Frameless glass	–	–	–
Stainless steel	•	•	•
Enamelled Beige / Anthracite	–	–	–



MODEL	EX 90.1 5G DR	EX 60.1 4G	EX 60.1 3G 1P
<b>EXTERNAL DIMENSIONS</b>			
Width	860	580	580
Depth	500	500	500
<b>BUILT-IN DIMENSIONS</b>			
Width	833	553	553
Height	473	473	473
Depth (min.)	52	52	52
<b>ELECTRICAL CONNECTION</b>			
Power supply 230 v	•	•	•
Frequency Hz	50/60	50/60	50/60
Maximum nominal power	1,1	0,6	1500
<b>GAS CONNECTION</b>			
Maximum power kW	11,30	7,30	5,55
<b>HEATING ELEMENTS</b>			
Electric solid plate Ø 145/1500 W	–	–	1
Electric solid plat Ø 145/1000 W	–	–	–
Double ring burner, 5,0 kW	–	–	–
Double ring burner, 4,00 kW	1	–	–
Triple ring burner, 4,00 kW	–	–	–
Triple ring burner, 3,50 kW	–	–	–
Triple ring burner, 3,10 kW	–	–	–
Triple ring burner, 3,80 kW	–	–	–
Fish burner, 2,80 kW	–	–	–
Fast burner, 3,00 Kw	–	–	–
Fast burner, 2,80 kW	1	1	1
Fast burner, 2,70 kW	–	–	–
Semifast burner, 1,75 kW	2	2	1
Semifast burner, 1,50 kW	–	–	–
Semifast burner, 1,40 kW	–	–	–
Auxiliary burner, 1,00 kW	1	1	1
High light ø 180, 1800 W	–	–	–
High light ø 145, 1200 W	–	–	–
<b>HOB PERFORMANCE (ACCORDING TO EU 66/2014 REGULATION)</b>			
ø21 cm ECElectric cooking–Induction, Wh/Kg	–	–	–
ø14,5 cm ECElectric cooking–Induction, Wh/Kg	–	–	–
ø18 cm ECElectric cooking–Radiant heater, Wh/Kg	–	–	–
ø14,5 cm ECElectric cooking–Radiant heater, Wh/Kg	–	–	–
17 x 26,5 cm ECElectric cooking–Radiant heater, Wh/Kg	–	–	–
Ø 145 solid plate ECElectric cooking–plate heater, Wh/Kg	–	–	198,1
Triple ring burner EE Gas burner, %	–	–	–
Double ring burner EE Gas burner, %	58,7	–	–
Fish burner EE Gas burner, %	–	–	–
Fast burner EE Gas burner, %	56,3	56,3	56,3
Semi-fast burner EE Gas burner, %	57,0	57,0	57,0
Semi-fast reduced burner EE Gas burner, %	–	–	–
Auxiliary burner EE Gas burner, %	n.a.	n.a.	n.a.
Energy consumption for the whole hob, Wh/Kg	n.a.	n.a.	198
Energy efficiency for the whole gas hob, %	57	57	57
<b>FEATURES</b>			
Knobs	•	•	•
Auto ignition	•	•	•
Power lamp indicator	–	–	–
<b>ACCESSORIES</b>			
Enamelled grids	–	–	–
Cast iron grids	•	•	•
Individual grids	–	–	–
Grid accesory	–	–	–
Supplementary small recipient	–	–	–
Cast iron Wok Stands	Available	–	–
<b>SAFETY SYSTEMS</b>			
Residual heat indicator	–	–	–
Automatic safety device	–	–	–
<b>FINISHING</b>			
Stainless steel frame	–	–	–
Bevelled glass	–	–	–
Frameless glass	–	–	–
Stainless steel	•	•	•
Enamelled Beige / Anthracite	–	–	–



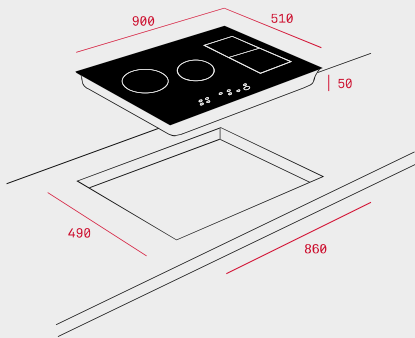
MODEL	HLX 60 4G AI AL	E 60,2 4P	EH 60 4G AI AL TR CI
<b>EXTERNAL DIMENSIONS</b>			
Width	580	600	580
Depth	500	510	500
<b>BUILT-IN DIMENSIONS</b>			
Width	553	583	553
Height	473	492	473
Depth (min.)	35	45	83
<b>ELECTRICAL CONNECTION</b>			
Power supply 230 v	•	•	•
Frequency Hz	50/60	50/60	50/60
Maximum nominal power	0,6	5500	0,6
<b>GAS CONNECTION</b>			
Maximum power kW	7,5	–	9,25
<b>HEATING ELEMENTS</b>			
Electric solid plate Ø 180/1500 W	–	2	–
Electric solid plate Ø 145/1000 W	–	1	–
Double ring burner, 4,00 kW	–	1	–
Triple ring burner, 3,50 kW	–	–	1
Triple ring burner, 3,10 kW	–	–	–
Fast burner, 3,00 Kw	1	–	1
Fast burner, 2,80 kW	–	–	–
Semifast burner, 1,75 kW	2	–	1
Semifast burner, 1,40 kW	–	–	–
Auxiliary burner, 1,00 kW	1	–	1
High light ø 145, 1200 W	–	–	–
<b>HOB PERFORMANCE (ACCORDING TO EU 66/2014 REGULATION)</b>			
ø21 cm ECElectric cooking–Induction, Wh/Kg	–	–	–
ø14,5 cm ECElectric cooking–Induction, Wh/Kg	–	–	–
ø18 cm ECElectric cooking–Radiant heater, Wh/Kg	–	–	–
ø14,5 cm ECElectric cooking–Radiant heater, Wh/Kg	–	–	–
17 x 26,5 cm ECElectric cooking–Radiant heater, Wh/Kg	–	–	–
Ø 145 solid plate ECElectric cooking–plate heater, Wh/Kg	–	–	–
Triple ring burner EE Gas burner, %	–	–	55,2
Double ring burner EE Gas burner, %	–	–	–
Fast burner EE Gas burner, %	54,2	–	57,3
Semi-fast burner EE Gas burner, %	55,5	–	58,1
Semi-fast reduced burner EE Gas burner, %	–	–	–
Auxiliary burner EE Gas burner, %	n.a.	–	n.a.
Energy consumption for the whole hob, Wh/Kg	n.a.	–	n.a.
Energy efficiency for the whole gas hob, %	55,1	–	56,9
<b>FEATURES</b>			
Knobs	•	•	•
Auto ignition	•	–	•
Power lamp indicator	–	–	–
<b>ACCESSORIES</b>			
Enamelled grids	•	–	–
Cast iron grids	–	•	•
Individual grids	–	–	–
Grid accessory	–	–	–
Supplementary small recipient	–	–	–
<b>SAFETY SYSTEMS</b>			
Residual heat indicator	–	–	–
Automatic safety device	•	•	•
<b>FINISHING</b>			
Stainless steel frame	–	–	–
Bevelled glass	–	–	–
Frameless glass	–	–	–
Stainless steel	•	•	•
Enamelled Beige / Anthracite	–	–	•



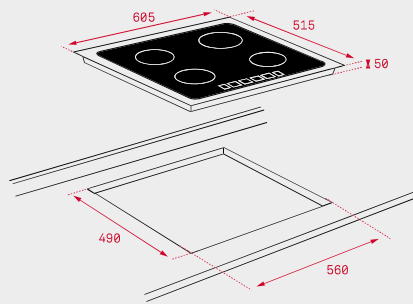
MODEL	IRF 3200	TR 3220	EFX 30.1 2H	CGW LUX 30.1 2G AI AL CI
<b>EXTERNAL DIMENSIONS</b>				
Width	300	300	300	300
Depth	520	520	510	520
<b>BUILT-IN DIMENSIONS</b>				
Width	270	270	280	282
Height	500	500	490	482
Depth (min.)	50	55	40	50
<b>ELECTRICAL CONNECTION</b>				
Power supply 230 v	•	•	•	•
Frequency Hz	50/60	50/60	50/60	50/60
Maximum nominal power	3200	2900	2900	1,1
Wire lenght cm.	110	110	135	135
<b>GAS CONNECTION</b>				
Maximum power kW	-	-	-	3,80
<b>HEATING ELEMENTS</b>				
Flex 235 x 190, 1750-2200W	2	-	-	-
Induction Ø 260, 2.100/3000 W	-	-	-	-
Induction Ø 210, 2.100/3000 W	-	-	-	-
Induction Ø 145, 1.100/1.800 W	-	-	-	-
Induction Ø 145, 1.400 W	-	-	-	-
High light ø 120/180, 700/1.700 W	-	1	-	-
High light ø 180, 1.800 W	-	-	1700	-
High light ø 145, 1.200 W	-	1	1	-
DUAL double ring burner /8000 w	-	-	-	-
Double ring burner 4,0 kW	-	-	-	-
Fast burner, 2,80 kW	-	-	-	1
Auxiliary burner, 1,00 kW	-	-	-	1
<b>HOB PERFORMANCE (ACCORDING TO EU 66/2014 REGULATION)</b>				
ø26 cm ECElectric cooking-Induction, Wh/Kg	-	-	-	-
ø21 cm ECElectric cooking-Induction, Wh/Kg	-	-	-	-
ø14,5 cm ECElectric cooking-Induction, Wh/Kg	-	-	-	-
23,5 x 19 cm ECElectric cooking-Induction, Wh/Kg	Area Flex=190,3 Oval single= 178	-	-	-
ø12/18 cm ECElectric cooking-Radiant heater, Wh/Kg	-	192,33	-	-
ø14,5 cm ECElectric cooking-Radiant heater, Wh/Kg	-	188,02	188,02	-
ø18 cm ECElectric cooking-Radiant heater, Wh/Kg	-	-	188,33	-
Triple ring burner EE Gas burner, %	-	-	-	-
Double ring burner EE Gas burner, %	-	-	-	-
Fast burner EE Gas burner, %	-	-	-	59,8
Energy consumption for the whole hob, Wh/Kg	190,3	190,175	188,175	n.a.
Energy efficiency for the whole gas hob, %	-	-	-	59,8
<b>FEATURES</b>				
Touch control	•	•	-	-
Cooking programming	•	•	-	-
Pan optimization system	•	-	-	-
Timer	•	•	-	-
Power function	•	-	-	-
Burst of cooking function	-	•	-	-
Pan detector	•	-	-	-
Low temp function	•	-	-	-
Auto ignition	-	-	-	•
Power lamp indicator	-	-	-	•
Knobs	-	-	•	•
<b>ACCESSORIES</b>				
Cast iron grids	-	-	-	•
<b>SAFETY SYSTEMS</b>				
Residual heat indicator	•	•	-	-
Automatic safety device	•	•	-	•
<b>FINISHING</b>				
Stainless steel frame	-	-	•	-
Bevelled glass	•	•	-	•
Frameless	-	-	-	-



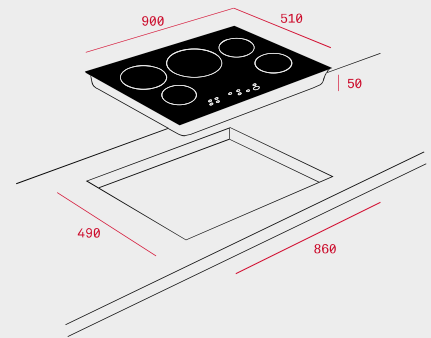
MODEL	EFX 30.1 2P	EFX 30.1 2G AI AL CI	EFX 30.1 TEPPANYAKI	EFX 30.1 FRYER	EFX 30.1 GRILL
<b>EXTERNAL DIMENSIONS</b>					
Width	300	300	305	305	305
Depth	510	510	510	510	510
<b>BUILT-IN DIMENSIONS</b>					
Width	280	280	282	282	282
Height	490	490	482	482	482
Depth (min.)	37	37	60	160	160
<b>ELECTRICAL CONNECTION</b>					
Power supply 230 v	•	•	•	•	•
Frequency Hz	50/60	50/60	50/60	50/60	50/60
Maximum nominal power	3000	0,6	2400	2300	2400
Wire lenght cm.	135	135	135	135	135
<b>GAS CONNECTION</b>					
Maximum power kW	–	4,00	–	–	–
<b>HEATING ELEMENTS</b>					
Oval Induction 235x190/2.200 W	–	–	–	–	–
High light grill, 2.500w	–	–	–	–	–
High light ø 180, 1.800 W	–	–	–	–	–
High light ø 160, 1500 W	–	–	–	–	–
High light ø 145, 1.200 W	–	–	–	–	–
Electric resistance	–	–	–	1	1
Teppanyaki	–	–	1	–	–
Electric solid plate ø 180/ 2000 W	–	–	–	–	–
Electric solid plat Ø 180/1500 W	1	–	–	–	–
Electric solid plat Ø 145/1500 W	1	–	–	–	–
Double ring burner 4,0 kW	–	–	–	–	–
Fast burner, 3,00 kW	–	1	–	–	–
Auxiliary burner, 1,00 kW	–	1	–	–	–
<b>HOB PERFORMANCE (ACCORDING TO EU 66/2014 REGULATION)</b>					
ø14,5 cm ECElectric cooking–Radiant heater, Wh/Kg	–	–	–	–	–
ø18 cm ECElectric cooking–Radiant heater, Wh/Kg	–	–	–	–	–
Oval 17x27 cm ECElectric cooking–Radiant heater, Wh/Kg	–	–	–	–	–
Ø 180 solid plate ECElectric cooking–plate heater, Wh/Kg	198,84	–	–	–	–
Ø 145 solid plate ECElectric cooking–plate heater, Wh/Kg	200	–	–	–	–
Double ring burner EE Gas burner, %	–	–	–	–	–
Fast burner EE Gas burner, %	–	55,3	–	–	–
Auxiliary burner EE Gas burner, %	–	n.a.	–	–	–
Energy consumption for the whole hob, Wh/Kg	199,42	–	n.a.	n.a.	n.a.
Energy efficiency for the whole gas hob, %	–	55,3	n.a.	n.a.	n.a.
<b>FEATURES</b>					
Timer	–	–	–	–	–
Power lamp indicator	•	–	•	•	•
Knobs	•	•	•	•	•
<b>ACCESSORIES</b>					
Enamelled grids	–	•	–	–	–
Cast iron grids	–	–	–	–	–
<b>SAFETY SYSTEMS</b>					
Automatic safety device	–	•	•	•	•
<b>FINISHING</b>					
Stainless steel frame	•	•	–	–	–
Stainless steel	–	•	•	•	•



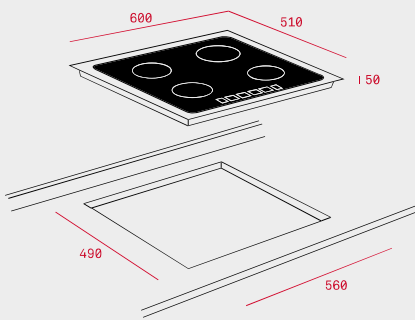
IRF 9480 TFT



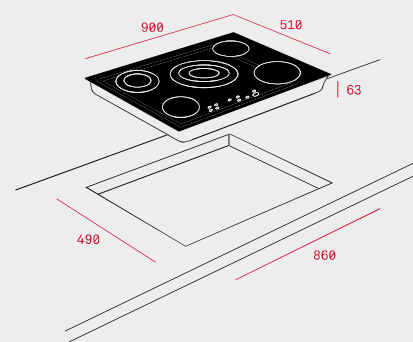
IT 6450 iKNOB



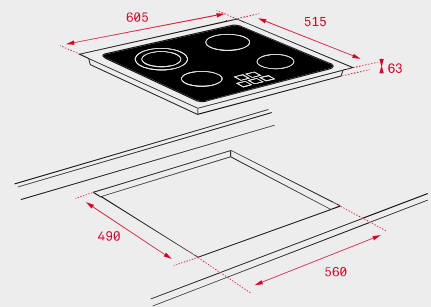
IR 9530



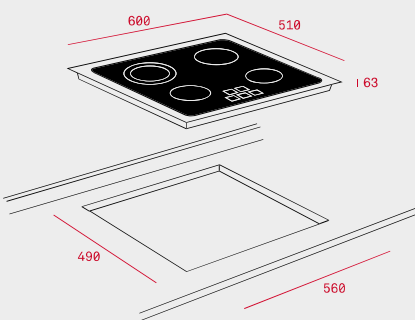
IZ 6415 · IRS 641



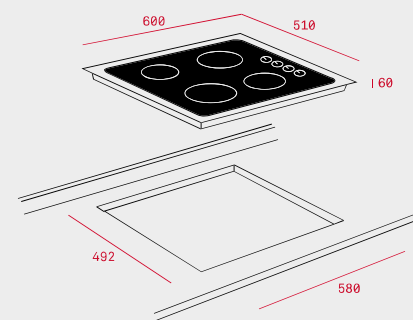
TR951



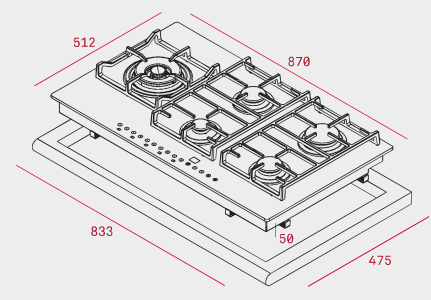
TT 6315



TR 6415



VT CM

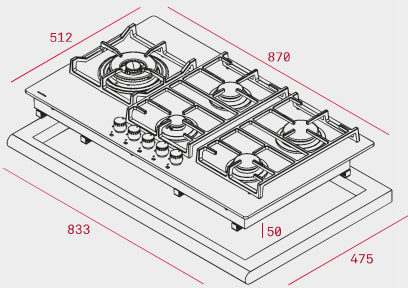


CGW LUX 90 TC 5G AI AL DR CI

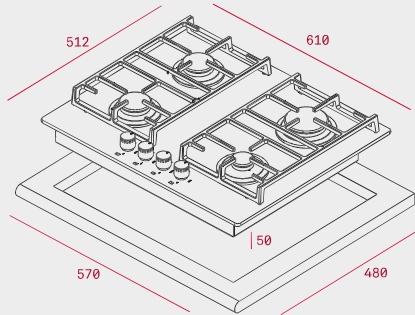


# H O B S

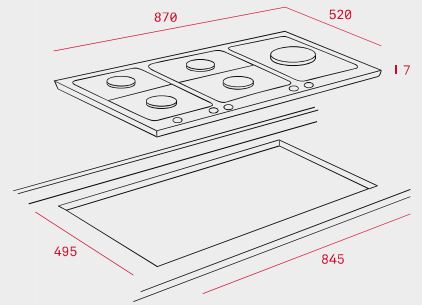
## INSTALLATION DIAGRAM



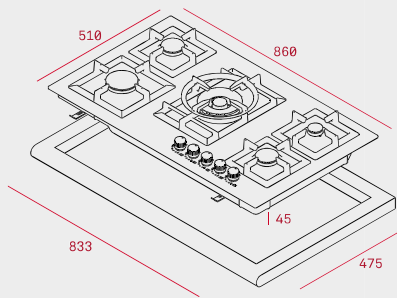
CGW LUX 90 5G AI AL DR CI



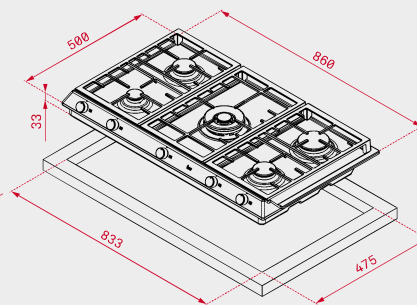
CGW LUX 60 4G AI AL CI



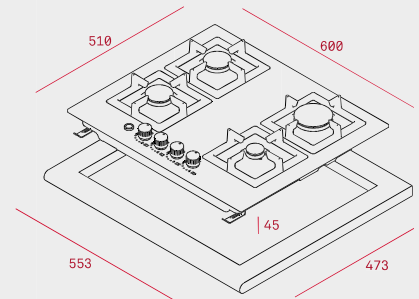
EW 90 5G AI AL TR CI



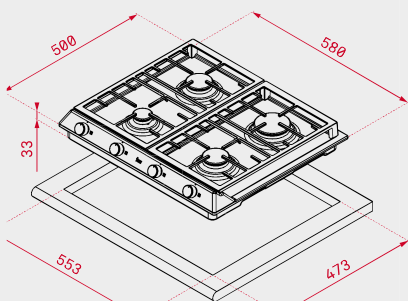
EFX 90 5G AI AL DR



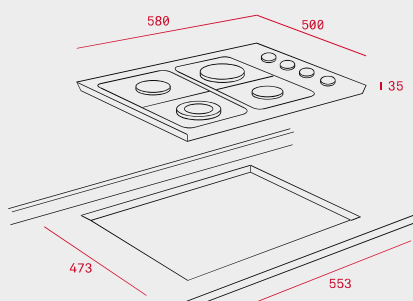
EX 90.1 5G



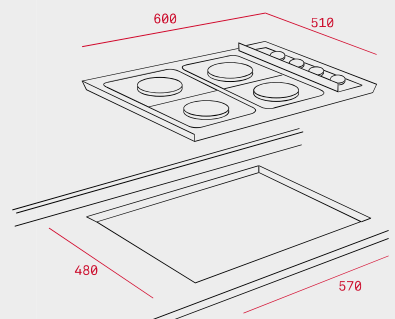
EFX 60 4G AI AL



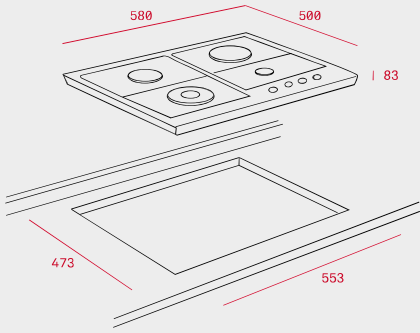
EX 60.1 4G · EX 60.1 3G



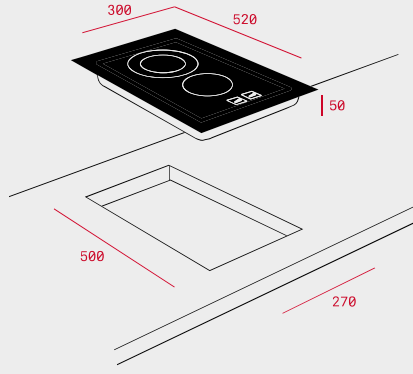
HLX 60 4G



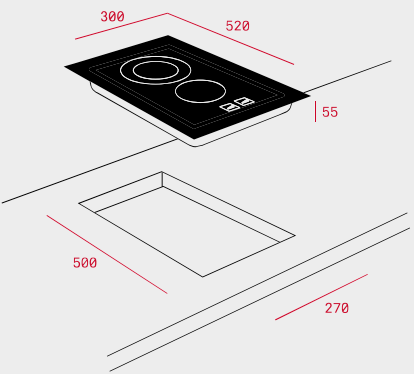
E 60.2 4P



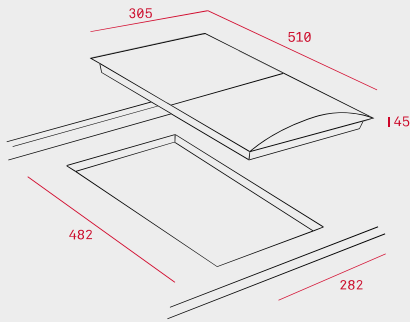
EH 60 4G AI AL TR CI



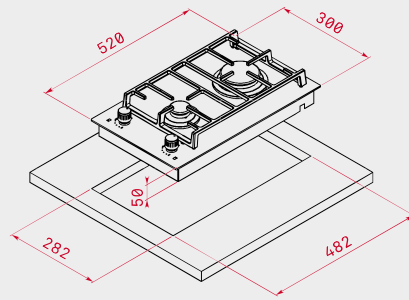
IRF 3200



TR 3220

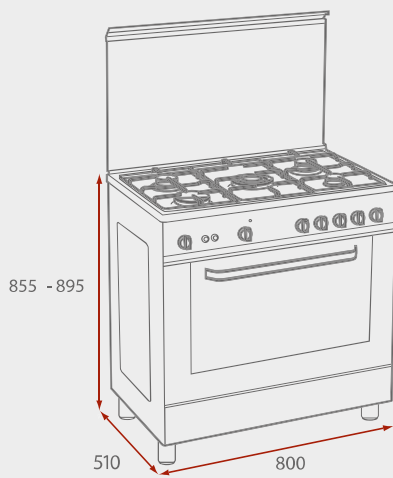


EFX 30.1 2H · EFX 30.1 2P  
 EFX 30.1 2G AI AL CI · EFX 30.1 TEPPANYAKI  
 EFX 30.1 FRYER · EFX 30.1 GRILL

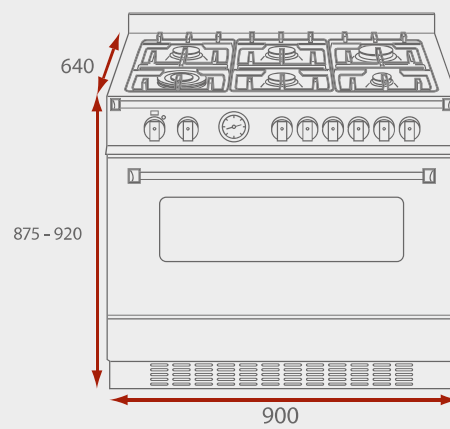


CGW LUX 30.1 2G

HOB S



FS2M 90 GG



FS2FF 90 GG