



FS  
COOKERS

## Free Standing Cookers

2019



# FREEDOM IN YOUR KITCHEN

We know cooking needs talent and intuition, but freedom is also needed to reach the best results.

That is why we have created a Range of Gas & Electric Cookers available in 90cm and 60cm.

## Features



### Close Door Grilling

Teka Close Door Grilling lets you grill keeping the oven door safely closed. Grilling with oven door closed assists in faster cooking as it keeps all the heat inside the oven resulting in a perfect grilling.



### Double Inner Fan

Double Inner Fan in 90cm models provide better heat distribution, so you can be sure your recipes have a surround cooking.



### Exclusive Design

Teka free standing cookers are designed for a touch of class including exclusive Teka knob.



### Accessories

Teka Cookers comes with extra features to enhance your cooking experience:

**Turnspit:** Prefer for grilling whole chicken and to achieve best grilling result.

**Telescopic Tray Guide:** Allowing the tray to completely extend out of the oven for maximum safety.

**Deep Tray:** Allowing you to cook larger dishes for the whole family all at once.





Ref. 40297055

### FS3FF L90GG S/S

- Free Standing Cooker 90cm
- Gas hob/ Multifunction gas oven
- Color: Inox
- Auto ignition
- Autolock safety device
- Drawer
- Nozzels to natural gas

#### Hob Features:

- Stainless steel surface
- Cast irons
- 5 Gas Burners:
- 1 Triple ring: 4 kW
- 2 Semi-Rapid: 1,75 kW
- 1 Auxiliary burner: 1 kW
- 1 Rapid: 3 kW
- Steel upstand

#### Oven Features:

- Multifunction strip with safety thermostat
- Gas grill
- Close door grilling
- 4 Cooking functions, Oven light
- Touch control programmer with start/stop
- 1 telescopic guide
- Chromed supports
- 5 cooking levels
- Full glass inner door
- Double glazed door
- 2 Deep tray
- Chromed grid
- Inner grid
- Gross capacity: 142 liters

#### COLOR



 Stainless Steel + Black

#### EXTERNAL DIMENSIONS

Height 875-920mm Width 895mm Depth 600mm



Ref. 40297953

### FS 901 5GE SS LPG

- Free Standing Cooker 90cm
- Gas hob/ Multifunction electric oven
- Color: Inox
- Metallic painted knob
- Auto ignition, Autolock safety device
- Adjustable feet With G plug
- Drawer Nozzels to natural gas
- Telescopic legs

#### Hob Features:

- Stainless steel surface
- Cast irons
- 5 Gas Burners:
- 1 Triple ring: 3,5 kW
- 2 Semi-Rapid: 1,7 kW
- 1 Auxiliary burner: 0,95 kW
- 1 Rapid: 2,9 kW
- Glass lid
- Sabaf burbers

#### Oven Features:

- Multifunction Oven
- Net/Gross capacity: 100/119l
- 7 Cooking functions
- Double Turbo fan
- Digital timer with start/stop
- 1 telescopic guide
- Chromed supports
- Catalitic side panels
- 4 cooking levels
- Full glass, double glazed door, Deep tray
- Chromed grid, Turnspit, Cooling fan Light
- Energy class: B

#### COLOR


 Stainless Steel

#### EXTERNAL DIMENSIONS

Height 845mm Width 900mm Depth 635mm



Ref. 40297954

## FS 902 5GG SS LPG

- Free Standing Cooker 90cm
- Gas hob/ Gas oven
- Color: Inox,
- Metallic painted knob
- Handle in Stainless steel
- Auto ignition
- Autolock safety device
- Telescopic legs
- With G plug
- Flap tape
- Nozzels to natural gas

### Hob Features:

- Stainless steel surface
- Cast irons
- 5 Gas Burners:
  - 1 Triple ring: 3,5 kW
  - 2 Semi-Rapid: 1,7 kW
  - 1 Auxiliary burner: 0,95 kW
  - 1 Rapid: 2,9 kW
- Glass lid
- Sabaf burbers

### Oven Features:

- Gas oven
- Close door grilling
- Net/Gross capacity: 106/119l
- 3 Cooking functions, Mechanical timer
- 1 telescopic guide, Chromed supports
- 4 cooking levels, Catalytic side panels
- Full glass, double glazed door
- Deep tray, Chromed grid
- Turnspit, Cooling fan
- Light

### COLOR

■ Stainless Steel

### EXTERNAL DIMENSIONS

Height 845mm Width 900mm Depth 635mm



Ref. 40297955

## FS 903 5VE SS

- Free Standing Cooker 90cm
- Vitroceramic hob/ Multifunction electric oven
- Color: Inox
- Metallic painted knob
- Handle in Stainless steel
- Telescopic legs
- Lid flape
- Kado box with cable

### Hob Features:

- Vitroceramic
- Hob surface in stainless steel
- 5 heating elements:
  - 2xØ180 1800W
  - 2xØ140 1200W
  - 1xØ140-250 1800W

### Oven Features:

- Multifunction electric oven
- Net/Gross capacity: 100/119l
- 8 cooking functions
- Double turbo fan
- Digital timer with start stop
- 1 telescopic guide
- Chromed supports
- 4 cooking levels
- Catalitic side panels
- Full glass inner door with 2 glazed removable
- Deep tray
- Cooking grid
- Turnspit
- Cooling fan
- Light
- Energy class: B

### COLOR

■ Stainless Steel

### EXTERNAL DIMENSIONS

Height 845mm Width 900mm Depth 633mm



Ref. 40297950

## FS 601 4GG SS LPG

- Free Standing Cooker 60cm
- Gas hob/ Gas oven with grill
- Color: Inox
- Metallic painted knob
- Handle in Stainless steel With G plug
- Auto ignition
- Full safety device in hob and oven
- Drawer
- Nozzels to natural gas

### Hob Features:

- Hob surface in stainless steel
- Cast iron grids
- Autolock
- 4 Gas Burners:
- 2 Semi-Rapid: 1.7 kW
- 1 Auxiliary burner: 0.95 kW
- 1 Rapid: 3.5 kW
- Glass lid with front metal profile
- Sabaf Burners

### Oven Features:

- Gas Oven
- Close door grilling
- Net/Gross capacity: 59/75l
- 3 Cooking functions
- Digital reminder
- Full glass door with 2 glazed
- 4 cooking levels
- Chromed supports
- 1 Telescopic guide, Deep tray
- Cooking grid, Cooling fan
- Turnspit, Light
- Energy class: A

### COLOR

 Stainless Steel

### EXTERNAL DIMENSIONS

Height 852mm Width 598mm Depth 633mm



Ref. 40297952

## FS 603 4VE SS

- Free Standing Cooker 60cm
- Vitroceramic hob/ Multifunction electric oven
- Color: Inox
- Metallic painted knob
- Handle in Stainless steel
- Drawer
- Kado box with cable

### Hob Features:

- Vitroceramic
- Hob surface in stainless steel
- 4 heating elements:
- 2xØ180 1700W
- 2xØ140 1200W

### Oven Features:

- Turbo electric oven
- Net/Gross capacity: 60/75l
- 8 cooking functions
- Digital timer with start stop
- 4 cooking levels
- 1 telescopic guide
- Chromed supports
- Catalitic side panels
- Cooling fan
- Full glass inner door with 2 glazed removable
- Deep tray
- Cooking grid
- Light
- Energy class: B

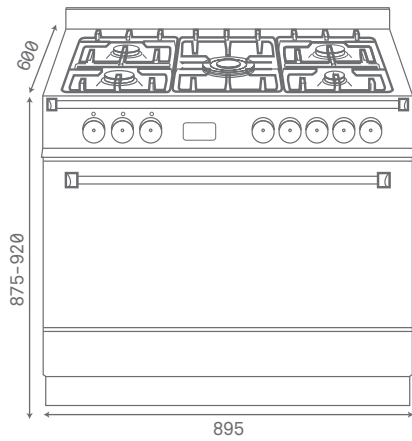
### COLOR

 Stainless Steel

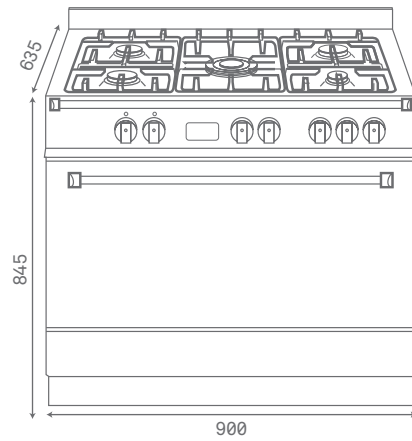
### EXTERNAL DIMENSIONS

Height 852mm Width 598mm Depth 633mm

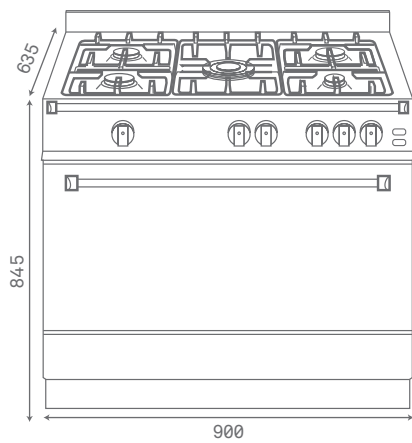
MODEL	FS3FF L90GG SS	FS 901 5GE SS	FS 902 5GG SS	FS 903 5VE SS	FS 601 4GG SS	FS 603 4VE SS
<b>EXTERNAL DIMENSIONS</b>						
Width (mm)	895	900	900	900	598	598
Depth (mm)	600	635	635	635	633	633
Height (mm)	875-920	845	845	845	852	852
<b>ELECTRICAL CONNECTION</b>						
Power Rate, V	230	220-240	220-240	220-240	220-240	220-240
Frequency, Hz	50	50	50-60	50-60	50	50
Connecting Wire (cm)	200	150 cm + Plug	150 cm + Plug	Kado Box + Cable	150 cm + Plug	Kado Box + Cable
Maximum Nominal Power, W	30	3600	0	11400	21	8100
<b>OVEN ELECTRICAL FEATURES</b>						
Maximum Nominal Power, W	55	3600	-	3600	-	2260
Bottom Heating Element, W	-	2000	-	2000	-	1200
Grill/Maxigrill, W	-	1500/2500	-	1500/2500	-	1000/2000
Turnspit Motor, W	-	6	6	6	6	-
Light, W	25	15	15	15	15	15
Cooling Fan Motor, W	-	24	24	24	20	20
<b>OVEN GAS FEATURES</b>						
Bottom Burner, W	4500	-	4000	-	1800	-
Grill Burner, W	2000	-	2700	-	1500	-
<b>HOB ELECTRICAL FEATURES</b>						
Maximum Nominal Power, W	-	-	-	7800	-	5800
Heating Element Ø/ W	-	-	-	2xØ180 1800W	-	2xØ180 1700W
Heating Element Ø/ W	-	-	-	2xØ140 1200W	-	2xØ140 1200W
Heating Element Ø/ W	-	-	-	1xØ140-250 1800W	-	-
<b>HOB GAS FEATURES</b>						
Maximum Nominal Power, W	11.5 kW	10.75 kW	10.75 kW	-	7.85 kW	-
A. Triple Ring, kW	4 kW	3.5 kW	3.5 kW	-	-	-
B. Fast Burner, kW	3 kW	2.9 kW	2.9 kW	-	3.5 kW	-
C. Semifast Burner, kW	1.75 kW (2)	1.7 kW (2)	1.7 kW (2)	-	1.7 kW (2)	-
D. Auxiliary Burner, kW	1 kW	0.95 kW	0.95 kW	-	0.95 kW	-
<b>OVEN FEATURES</b>						
Net / Gross Capacity (Litres)	142	100/119	106/119	100/119	59/75	60/75
Cooking Functions	5	7	3	8	3	8
Digital Timer With Start/Stop Programmer	-	Yes	-	Yes	-	Yes
Digital Timer	Touch	-	-	-	Yes	-
Mechanical Timer With Stop Programmer	-	-	Yes	-	-	-
Cooking Levels	5	4	4	4	4	4
Close Door Grilling	Yes	-	Yes	-	Yes	-
Telescopic Tray Guides	1	1	1	1	1	1
Chromed Tray Guides	Yes	Yes	Yes	Yes	Yes	Yes
Glazed Door	2 Full Glass	2 Full Glass	2 Full Glass	2 Full Glass	2 Full Glass	2 Full Glass
Self-Cleaning Panels	-	Side Catalytic Panel	Side Catalytic Panel	Side Catalytic Panel	-	Side Catalytic Panel
Baking Tray	-	-	-	-	-	-
Deep Tray	2	1	1	1	1	1
Standard Cooking Grid	1	1	1	1	1	1
Inner Grid	1	-	-	-	-	-
Turnspit	-	Yes	Yes	Yes	Yes	-
Drawer	Yes	Lid Flape	Lid Flape	Lid Flape	Yes	Yes
Energy Class	-	B	-	B	A	A
<b>HOB FEATURES</b>						
Hob Surface	SS Squared	SS	SS	SS	SS	SS
Grids	Cast Iron	Cast Iron	Cast Iron	-	Cast Iron	-
Autolock (Safety Device)	Yes	Yes	Yes	-	Yes	-
Auto-Ignition	Yes	Yes	Yes	-	Yes	-
Other Special Accessories	Steel Upstand	Glass Lid	Glass Lid	-	Glass Lid	-
<b>FINISH</b>						
Colour (Front)	Black	Stainless Steel	Stainless Steel	Stainless Steel	Stainless Steel	Stainless Steel
Door Glass Color	Black	Black	Black	Black	Black	Black



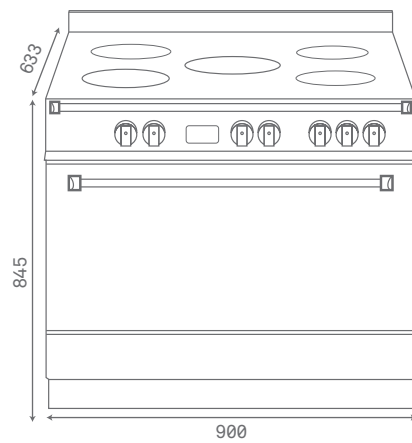
FS3FF L90GG S/S



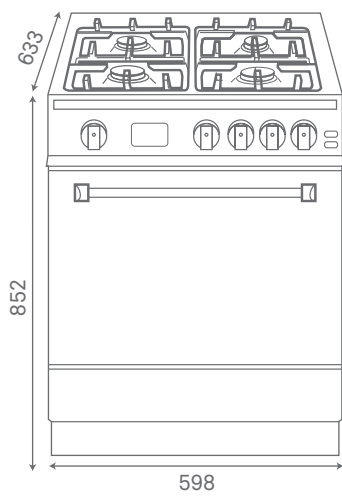
FS 901 5GE SS LPG



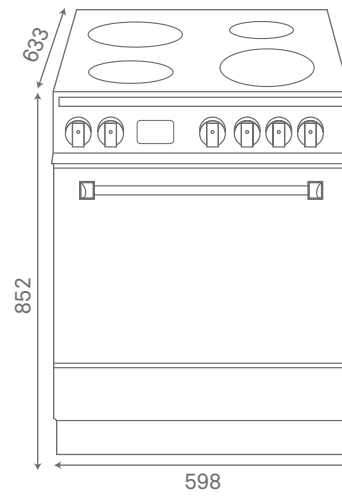
FS 902 5GG SS LPG



FS 903 5VE SS



FS 601 4GG SS LPG



FS 603 4VE SS



**TEKA MIDDLE EAST FZE**

**JEBEL ALI OFFICE**

Building LOB 16, Office 417, P.O. Box 18251, Jebel Ali Free Zone, Dubai - UAE

Telf. +971 4 8872912 Fax. +971 4 8872913