

I WISH

TAKING CARE OF MY HEALTH
AND MINE WITH FRESH FOOD

by
TEKA REFRIGERATORS



REFRIGERATORS

WISHES COME TRUE

Cold also plays an important role in a home's warmth.

*Our refrigerators WISH it is to keep food fresh
because they preserve its nutrients and vitamins efficiency*



RANGE OVERVIEW



Maestro



Total



Easy



TEKA REFRIGERATORS

Take real care of your health by taking care of your fresh food

TEKA REFRIGERATORS DELIVER OUTSTANDING PERFORMANCE WITH A+ ENERGY CONSUMPTION. THANKS TO NO FROST TECHNOLOGY AND ITS ANTIBACTERIAL SYSTEM, YOUR FOOD WILL ALWAYS BE KEPT REALLY FRESH.



REAL ENERGY EFFICIENCY

Our range of fridges and freezers has been designed with efficiency in mind.

Save money with the most advanced technology. Moreover, using R600A, an eco-friendly refrigerant, your refrigerator has less impact on the environment.



ECO FUNCTION

With this function, refrigerators keep an optimal and constant temperature minimizing energy consumption and preventing the proliferation of bacteria. It keeps the refrigerator at 6°C and the freezer at -18°C.



ANTIBACTERIAL SYSTEM

Both the cavity and the doors of Teka refrigerators have been specially treated. This Antibacterial film is made of silver ions and prevents bacteria and micro-organisms from growing inside the refrigerator. Thanks to this system, the food keeps fresh and is safe to eat longer, preventing the outbreak of diseases such as salmonella, Legionnaire's disease or hepatitis C.

Some models have not only one but up to 4 antibacterial systems: in the gasket, ioniser, antibacterial odour filter and silver coating for inner plastic.



NO FROST SYSTEM: COLD WITHOUT FROST

The Teka No Frost System delivers fast, high-quality freezing, preserving food better and removing the different odour mix.

The refrigerator defrosts automatically and collects water lodges in a special compartment where it evaporates. It also maintains an optimal, steady temperature in the entire fridge, apart from monitoring the temperature with greater precision than a traditional system.

It controls the level of humidity at all times and prevents ice and frost from building up on the walls and the food.



FUZZY LOGIC

The Fuzzy Logic System delivers constant and accurate automatic temperature without the user having to do anything at all. The system has an electronic control that regulates the temperature via independent sensors, which are distributed throughout refrigerator. This maintains a constant temperature and adjusts to the outside temperature automatically.

All the temperature information - both ambient and interior - is collected by the electronic control, which regulates the cold air inlet and accurately sets the different temperatures for each compartment.





SMART COOL

Teka electronic control optimizes the performance of its refrigerators. Its memory, for example, resets the selected temperature in case of power failure.



VEGETABLE DRAWER WITH HUMIDITY CONTROL

Pull-out transparent drawers with humidity and temperature regulation feature different humidity levels: high, ideal for fresh food and low for meat and fish.



ON HOLIDAYS FUNCTION

If you are not going to use your refrigerator for a long time, the On Holidays Function is the best option. It turns off the refrigerator and keeps the freezer at -18°C.



NEW EASY OPEN HANDLE

How often have you wished for an easier door handle? Teka has added its new Easy Open system to save you effort. Just a horizontal movement of the aluminium handles will break the inner vacuum, making it easier to open the doors. The new Teka Larder and Upright Freezer Easy Open handle also provides better protection for your refrigerator.

EXPERIENCE THE NEW LED LIGHTING

The new Teka refrigerators' LED light bulbs provide beautiful warm white light that enhances visibility even when full. LEDs have a much longer life than conventional light bulbs, while providing significant energy savings. Plus, they do not emit heat, so they do not affect the inside temperature.



MORE FREEZER FLEXIBILITY

The new Teka refrigerators offer maximum freezer space flexibility. Take the drawers out and comfortably place the food on the glass safety shelves, even the larger pieces. You have as many combinations as you need.



0-3°C ZONE







To keep all the nutritive properties of fresh food, grocery or meat with all the nutritive properties up to three times longer, choose the chiller compartment; it provides the ultimate in freshness. It also helps to prevent the growth of the listeria microorganism which can potentially develop above 4°C.





WISH REFRIGERATORS

Minimum consumption, highly accurate and very easy to use

				_ M A E S T R O	
				A+	
SIDE BY SIDE				 NFE 900 X	 NFE3 650 X
	COMBI BOTTOM	70cm - 80 cm	1,85 m - 2 m	 NFE2 420	 NFV2 640
60 cm		2 m		 NFE2 400 INOX	
LARDER & UP-RIGHT FREEZER	60 cm	1,70 m			
BUILT-IN	55 cm	1,78 m		 CI3 350 NF	
	1,25 m				
	59,8 cm	82 cm			



MAESTRO

Domestic appliances for those who like going one step further. For those who will not settle for being like the rest.

TOTAL

Designed for those who demand everything of their appliances, for everyone in the house. Maximum effectiveness in any situation.

EASY

For those who prefer no complications in the kitchen without denying themselves an appliance that gives so much while asking for so little in return.

_ TOTAL

A++

A+



TS3 370 INOX



TGF3 270 NF INOX



CI2 330 NF



TKI2 300



TGI2 200 NF



TKI3 215



TKI3 145 D



TFI3 130 D



TGI2 120 D



CODE : 40659940

POLAR NFE 900 X

— **MAESTRO**



455
KWH/ANNUM

COLOR

Stainless steel

EXTERNAL DIMENSIONS

↑ 1825 mm → 920 mm ↻ 765 mm

Full No Frost side by side refrigerator

- Touch control panel
- LCD display
- Fingerprint proof stainless steel door
- 4* freezer
- Intelligent cooling system
- 4 antibacterial systems
- Twist ice maker
- Fuzzy logic temperature control system
- Eco function
- On holidays function
- Fast Freeze / Quick Cool function
- Fresh Freeze compartment
- Pilot lights: super freezing, refrigerator/freezer temperature
- Safety glass shelves
- LED inner light
- 0-3° Zone
- 3 freezer drawers
- 1 multipurpose zone freezer/fridge: 77 litres
- 2 vegetable drawers
- Energy Class: A+
- Climate Class: SN-T
- Noise level: 43 dBA
- Total gross capacity: 610 litres
- Net capacity (fridge): 360 litres
- Net capacity (chiller): 25 litres
- Net capacity (freezer): 155 litres
- Voltage: 220-240v/50 Hz



CODE : 40659030

POLAR NFE3 650 X

— **_MAESTRO**



471
KWH/ANNUM

COLOR

Stainless steel

EXTERNAL DIMENSIONS

↑ 1790 mm → 910 mm ↻ 765 mm

Full No Frost side by side refrigerator

Touch control panel
 LCD display
 Fingerprint proof stainless steel door
 4* freezer
 Intelligent cooling system
 4 antibacterial systems
 In door ice maker
 Fuzzy logic temperature control system
 Eco function
 On holidays function
 Fast Freeze / Quick Cool function
 Pilot lights: super freezing, refrigerator/freezer temperature
 Safety glass shelves
 LED inner light
 0-3° Zone
 2 freezer drawers
 1 vegetable drawer
 Chromed bottle rack
 Energy Class: A+
 Climate Class: SN-T
 Noise level: 45 dBA
 Total gross capacity: 616 litres
 Net capacity (fridge): 353 litres
 Net capacity (chiller): 15 litres
 Net capacity (freezer): 176 litres
 Voltage: 220-240v/50 Hz



CODE : 40698420

CODE : 40698320

POLAR TGF3 270

— _TOTAL

**No Frost freezer**

Electronic control panel
 Fingerprint proof stainless steel
 4 * freezer
 Fast Freeze function
 Antibacterial gasket
 7 independent compartments
 Ice cube tray
 Energy Class: A+
 Climate Class: SN-T
 Noise level: 42 dBA
 Total gross capacity: 290 litres
 Net capacity: 255 litres
 Voltage: 220-240v/50 Hz

COLOR

Stainless steel

EXTERNAL DIMENSIONS

⬆ 1714 mm ➡ 595 mm ↻ 650 mm

POLAR TS3 370

— _TOTAL

**Freestanding larder**

Electronic control panel
 Fingerprint proof stainless steel
 LED side illumination
 Antibacterial gasket
 Safety glass shelves
 4 full width balconies
 2 vegetable drawers
 Chromed bottle rack
 Energy Class: A+
 Climate Class: SN-T
 Noise level: 39 dBA
 Total gross capacity: 415 litres
 Net capacity: 367 litres
 Voltage: 220-240v/50 Hz

COLOR

Stainless steel

EXTERNAL DIMENSIONS

⬆ 1714 mm ➡ 595 mm ↻ 650 mm



CODE : 40698275

POLAR NFE2 420■ **_MAESTRO****Free Standing Combi refrigerator**

Touch control panel
 LCD digital display on door
 Fingerprint proof stainless steel
 4* freezer, Twist Ice maker
 Fuzzy Logic temperature control system
 Eco function
 Fast Freeze / Quick Cool function
 Antibacterial systems
 Safety glass shelves
 0-3° Zone
 2 Freezer Drawers
 Chromed bottle rack
 Energy Class: A++
 Climate Class: SN-T
 Noise level: 44 dBA
 Total gross capacity: 520 litres
 Net capacity (fridge): 330 litres
 Net capacity (chiller): 20 litres
 Net capacity (freezer): 124 litres
 Voltage: 220-240v/50 Hz

COLOR

Stainless steel

EXTERNAL DIMENSIONS

⬆ 1920 mm ➡ 700 mm ↻ 700 mm



CODE : 40698270

POLAR NFE2 400■ **_MAESTRO****Full No Frost combi refrigerator**

Touch control panel
 LCD digital display
 Fingerprint proof stainless steel
 4* freezer
 Fuzzy Logic temperature control system
 Eco function
 Fast Freeze / Quick Cool function
 Antibacterial systems
 Safety glass shelves
 0-3° Zone
 2 vegetable drawers
 Chromed bottle rack
 Energy Class: A+
 Climate Class: SN-T
 Noise level: 43 dBA
 Total gross capacity: 355 litres
 Net capacity (fridge): 206 litres
 Net capacity (chiller): 25 litres
 Net capacity (freezer): 90 litres
 Voltage: 220-240v/50 Hz

COLOR

Stainless steel

EXTERNAL DIMENSIONS

⬆ 2005 mm ➡ 595 mm ↻ 600 mm



CODE : 40697998

N F V 2 6 4 0**_ MAESTRO****Full No Frost free standing refrigerator**

Fingerprint proof stainless steel doors
 Full no frost system (freezer and fridge)
 4 * freezer
 3D cooling system
 Quick freezer
 Egg holder
 Grocery drawers
 Ice making box
 Adjustable safety glass shelves
 Adjustable trays
 Inner light in freezer and fridge
 Energy efficiency class: B
 Climate class: T
 Total gross capacity (litres): 532
 Net capacity (fridge): 394 liters
 Net capacity (freezer): 104 liters

COLOR

Stainless steel

EXTERNAL DIMENSIONS

⬆ 1820 mm ⬆ 810 mm ⬆ 720 mm

**TEKA BUILT-IN
REFRIGERATORS:****THE PERFECT
INTEGRATION**

The Teka built-in refrigerators are the right option for integrating the home appliances into the kitchen. As every kitchen is different, the Teka range includes door-to-door and sliding door installation systems. Two options to choose from when installation time comes.



CODE : 40694410

ARTIC TGI2 200 NF

— _TOTAL

**Full No Frost built-in freezer**

Electronic control panel
 4* freezer
 No frost freezer
 Door on door installation
 Reversible door
 Energy Class: A+
 Climate Class: SN-T
 Noise level: 42 dBA
 Total gross capacity: 220 litres
 Net capacity: 196 litres
 Voltage: 230/50 Hz

COLOR

White

EXTERNAL DIMENSIONS

⬆ 1771 mm ➡ 543 mm ↻ 545 mm



CODE : 40693310

ARTIC TKI2 300

— _TOTAL

**Built-in larder**

Electronic control panel
 Automatic defrost
 Antibacterial system
 Safety glass shelves
 2 vegetable drawers
 Door on door installation
 Reversible door
 Energy Class: A+
 Climate Class: SN-T
 Noise level: 31 dBA
 Total gross capacity: 315 litres
 Net capacity: 310 litres
 Voltage: 230/50 Hz

COLOR

White

EXTERNAL DIMENSIONS

⬆ 1771 mm ➡ 543 mm ↻ 545 mm



CODE : 40634571

ARTIC CI3 350 NF**_MAESTRO****No Frost Built-in combi**

Electronic control panel
 4* freezer
 No Frost freezer
 Automatic defrost (refrigerator)
 Quick Cool function
 Antibacterial system
 Safety glass shelves
 0-3° Zone
 Sliding door installation
 Chromed bottle rack
 Energy Class: A++
 Climate Class: SN-ST
 Noise level: 40 dBA
 Total gross capacity: 275 litres
 Net capacity (fridge): 167 litres
 Net capacity (freezer): 69 litres
 Voltage: 230/50 Hz

COLOR

White

EXTERNAL DIMENSIONS

⬆ 1781 mm ➡ 540 mm ↻ 545 mm



CODE : 40633500

ARTIC CI2 330 NF**_TOTAL****No Frost Built-in combi**

Mechanical control panel
 4* freezer
 No Frost freezer
 Automatic defrost (refrigerator)
 Safety glass shelves
 0-3° Zone
 Sliding door installation
 Chromed bottle rack
 Energy Class: A+
 Climate Class: SN-T
 Noise level: 38 dBA
 Total gross capacity: 270 litres
 Net capacity (fridge): 190 litres
 Net capacity (freezer): 48 litres
 Voltage: 230/50 Hz

COLOR

White

EXTERNAL DIMENSIONS

⬆ 1770 mm ➡ 540 mm ↻ 535 mm



CODE : 40693140

ARTIC TKI3 215

■ _TOTAL

**Built-in refrigerator**

Mechanical control panel
4 * freezer
Manual defrost
Safety glass shelves
Sliding door installation
2 vegetable drawers
Reversible door
Energy Class: A++
Climate Class: SN-ST
Noise level: 34 dBA
Total gross capacity: 200 litres
Net capacity (fridge): 164 litres
Net capacity (freezer): 20 litres
Voltage: 230/50 Hz

Installation system

Sliding door

COLOR

White

EXTERNAL DIMENSIONS

⬆ 1215 mm ➡ 5403 mm ↻ 545 mm



CODE : 40694000

ARTIC TGI2 120 D

■ _TOTAL

**Built-under freezer**

Electronic control panel
4* freezer
3 freezing drawers
Door on door installation
Reversible door
Energy Class: A+
Climate Class: SN-T
Noise level: 42 dBA
Total gross capacity: 96 litres
Net capacity (freezer): 87 litres
Voltage: 230/50 Hz

COLOR

White

EXTERNAL DIMENSIONS

⬆ 820 mm ➡ 598 mm ↻ 545 mm



CODE : 40695051

ARTIC TFI3 130 D— **_TOTAL****Built-under refrigerator**

Mechanical control panel
 4 * freezer
 Manual defrost
 Safety glass shelves
 Door on door installation
 Reversible door
 Energy Class: A++
 Climate Class: SN-T
 Noise level: 43 dBA
 Total gross capacity: 125 litres
 Net capacity (fridge): 92 litres
 Net capacity (freezer): 15 litres
 Voltage: 230/50 Hz

COLOR

White

EXTERNAL DIMENSIONS

⬆ 820 mm ➡ 598 mm ↻ 545 mm



CODE : 40693006

ARTIC TKI3 145 D— **_TOTAL****Built-in fridge**

Mechanical control panel
 Manual defrost
 Safety glass shelves
 Door on door installation
 Reversible door
 Energy Class: A++
 Climate Class: SN-T
 Noise level: 40 dBA
 Total gross capacity: 130 litres
 Net capacity (fridge): 128 litres
 Voltage: 230/50 Hz

COLOR

White

EXTERNAL DIMENSIONS

⬆ 820 mm ➡ 598 mm ↻ 545 mm



CODE : 40682500

RVI 35

TOTAL



Built-in wine cooler

- Electronic control panel
- Capacity: 36 bottles
- Adjustable temperature (5-16°C)
- 4 adjustable wooden shelves
- Metallic handle
- Reversible door
- Energy class: A
- Climate Class: SN
- Noise level: 38 dBA
- Total gross volume (litres): 130
- Voltage: 220-240/50 Hz

COLOR

Black

EXTERNAL DIMENSIONS

865 mm 540 mm 525 mm





PRODUCT FICHE ACCORDING TO COMMISSION DELEGATED REGULATION (EU) NO 65/2014

MODELS	POLAR NFE 900 X	POLAR NFE3 650 X	POLAR TGF3 270 NF	POLAR TS3 370	NFE2 420	NFE2 400	NFV2 640
EU PRODUCT FICHE							
Category	7	7	8	1	7	7	-
Energy class (1)	A+	A+	A+	A+	A++	A+	B
Annual consumption (kWh/year) (2)	455	471	310	145	317	331	679
Total gross capacity (litres)	610	616	290	415	520	355	532
Refrigerator compartment capacity (litres)	360	353	-	367	330	206	394
Chilling compartment capacity (litres)	25	15	-	-	-	25	-
Freezer compartment capacity (litres)	155	176	255	-	124	90	104
Freezer classification (stars)	4	4	4	-	4	4	4
No frost in refrigerator compartment	*	*	-	-	*	*	*
No frost in chiller	*	*	-	-	*	*	*
No frost in freezer compartment	*	*	*	-	*	*	*
Temperature rise time (autonomy) (3)	15	9	18	-	24	17	-
Freezing capacity (Kg/24h)	13	13	16	-	6	6	6
Climate class	SN-T	SN-T	SN-T	SN-T	SN-T	SN-T	SN-T
Noise level	43	45	42	39	44	43	43
Type of installation	Freestanding	Freestanding	Freestanding	Freestanding	Freestanding	Freestanding	Freestanding
OVERALL MEASUREMENTS							
Height (mm)	1825	1790	1714	1714	1920	2005	1820
Width (mm)	920	910	595	595	700	595	810
Depth (mm)	765	765	650	650	700	600	720
Net weight (Kg)	124,8	115	87	72	-	69	93
Built in door measures							
Upper door (mm)	-	-	-	-	-	-	-
Bottom door (mm)	-	-	-	-	-	-	-
POWER SUPPLY							
Power supply (V/Hz)	220-240/50	220-240/50	220-240/50	220-240/50	220-240/50	220-240/50	220-240/50
Power rate (W)	200	150	95	65	160	120	218
Defrost element power (W)	190	180	175	-	180	127	242
Energy consumption (KWh/24 hours)	1,246	1,29	0,849	0,397	0,868	0,951	1,86
FEATURES							
Electronic control	LCD	LCD	*	*	LCD	LCD	-
Fingerprint proof door	*	*	*	*	*	*	*
Cool Flow	-	-	-	-	-	-	-
Antibacterial treatment	*	*	*	*	*	*	*
Fast freezing / Fast Cooling function	* / *	* / *	* / -	- / -	* / -	* / *	-
0-3°C Zone	*	*	*	*	*	*	*
Fuzzy logic function	*	*	-	-	*	*	-
On holidays function	*	*	-	-	-	-	-
Adjustable thermostast	*	*	*	*	*	*	*
Inner light	*	*	-	*	*	*	*
Adjustable shelves	*	*	-	*	*	*	*
Adjustable feet (front/rear)	* / -	* / -	* / -	* / -	* / -	* / -	* / *
Reversible doors	-	-	*	*	*	*	-
CONTROL INDICATORS							
Operating light fridge/freezer	* / *	* / *	- / *	* / -	* / *	* / *	- / -
Temperature display fridge/freezer	* / *	* / *	- / *	- / -	*	*	- / -
Fast freezing indicator	* / *	* / *	*	-	*	*	*
Acoustic/ visual alarm	* / *	* / *	* / *	- / -	* / *	* / *	* / -
EQUIPMENT							
Safety glass shelves	*	*	-	*	*	*	*
Ice cubes trays	Tilt	Dispenser	*	-	Tilt	*	Tilt
Chromed bottle rack	-	*	-	*	*	*	-
Dairy covered compartment	-	-	-	-	-	-	*
Vegetable drawers	*	*	-	*	*	*	*

(1) Energy efficiency class "X" on a scale from G (least efficiency) to A+++ (most efficiency)

(2) Energy consumption "XYZ" kWh per year, based on standard test results for 24 hours. Actual energy consumption will depend on how the appliance is used and where it is located.

(3) Temperature rise time

(4) For wine storage appliances "This appliance is intended to be used exclusively for the storage of wine". This point shall not apply to household refrigerating appliances that are not specifically designed for wine storage but may nevertheless be used for this purpose nor to household refrigerating appliances that have a wine storage compartment combined with any other compartment type.

PRODUCT FICHE ACCORDING TO COMMISSION DELEGATED REGULATION (EU) NO 65/2014

MODELS	TGI2 200 NF	TKI2 300	CI3 350 NF	CI2 330 NF	TKI3 215	TGI2 120 D	TFI3 130 D	TKI3 145 D
EU PRODUCT FICHE								
Category	8	1	7	7	7	8	7	1
Energy class (1)	A+	A+	A++	A+	A++	A+	A++	A++
Annual consumption (kWh/year) (2)	297	146	240	274	167	183	138	92
Total gross capacity (litres)	220	315	275	270	200	96	125	130
Refrigerator compartment capacity (litres)	-	310	167	190	157	-	92	128
Chilling compartment capacity (litres)	-	-	19	-	-	-	-	-
Freezer compartment capacity (litres)	196	-	69	48	20	87	15	-
Freezer classification (stars)	4	-	4	4	4	4	4	-
No frost in refrigerator compartment	-	-	-	-	-	-	-	-
No frost in chiller	-	-	-	-	-	-	-	-
No frost in freezer compartment	-	-	-	-	-	-	-	-
Temperature rise time (autonomy) (3)	15	-	13	13	16	19	10	-
Freezing capacity (Kg/24h)	10	-	4	2,3	2	6	2	-
Climate class	SN-T	SN-T	SN-ST	SN-T	SN-ST	SN-T	SN-T	SN-T
Noise level	42	34	40	38	34	42	43	40
Type of installation	Built-in	Built-in	Built-in	Built-in	Built-in	Built-in	Built-in	Built-in
OVERALL MEASUREMENTS								
Height (mm)	1771	1771	1781	1770	1216	820	820	820
Width (mm)	543	543	540	540	543	598	598	598
Depth (mm)	545	545	545	535	535	545	545	545
Net weight (Kg)	61	55	55	53	39	31	31	30
Built in door measures								
Upper door (mm)	-	-	1040-1100	1072-1145	1220 min	-	-	-
Bottom door (mm)	1800	1800	691-991	685,5-728	-	813-863	813-863	813-863
POWER SUPPLY								
Power supply (V/Hz)	230/50	230/50	220-240/50	230/50	230/50	230/50	230/50	230/50
Power rate (W)	110	75	125	115	45	55	65	50
Defrost element power (W)	175	-	120	85	-	-	-	-
Energy consumption (KWh/24 hours)	0,813	0,4	0,657	0,759	0,465	0,501	0,392	0,252
FEATURES								
Electronic control	•	•	•	-	-	-	-	-
Fingerprint proof door	-	-	-	-	-	-	-	-
Cool Flow	-	-	-	-	-	-	-	-
Antibacterial treatment	-	•	•	-	-	-	-	-
Fast freezing / Fast Cooling function	• / -	- / -	- / •	- / -	- / -	- / -	- / -	- / -
0-3°C Zone	-	-	•	•	-	-	-	-
Fuzzy logic function	-	-	-	-	-	-	-	-
On holidays function	-	-	-	-	-	-	-	-
Adjustable thermostast	•	•	•	•	•	•	•	•
Inner light	-	•	•	•	•	-	•	•
Adjustable shelves	-	•	•	•	•	-	•	•
Adjustable feet (front/rear)	- / -	- / -	- / -	- / -	- / -	- / -	- / -	- / -
Reversible doors	•	•	•	•	•	•	•	•
CONTROL INDICATORS								
Operating light fridge/freezer	- / •	• / -	• / -	-	-	- / •	-	-
Temperature display fridge/freezer	- / •	• / -	• / -	-	-	-	-	-
Fast freezing indicator	-	-	-	-	-	-	-	-
Acoustic/ visual alarm	• / •	• / •	• / •	- / •	- / -	- / •	- / -	- / -
EQUIPMENT								
Safety glass shelves	-	•	•	•	•	-	•	•
Ice cubes trays	•	-	•	•	-	-	-	-
Chromed bottle rack	-	•	•	•	-	-	-	-
Dairy covered compartment	-	-	-	-	-	-	-	-
Vegetable drawers	-	•	-	-	•	-	-	-

(1) Energy efficiency class "X" on a scale from G (least efficiency to A+++) (most efficiency)

(2) Energy consumption "XYZ" kWh per year, based on standard test results for 24 hours. Actual energy consumption will depend on how the appliance is used and where it is located.

(3) Temperature rise time

(4) For wine storage appliances "This appliance is intended to be used exclusively for the storage of wine". This point shall not apply to household refrigerating appliances that are not specifically designed for wine storage but may nevertheless be used for this purpose nor to household refrigerating appliances that have a wine storage compartment combined with any other compartment type.

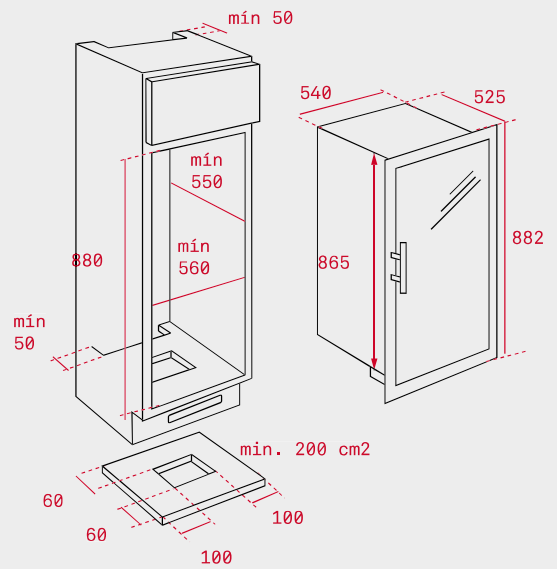


MODELS **RVI 35**

EU PRODUCT FICHE	
Category	2
Energy class (1)	A
Annual consumption (kWh/year) (2)	147
Total gross capacity (litres)	130
Refrigerator compartment capacity (litres)	128
No frost in refrigerator compartment	-
Climate class	SN
Noise level (dBA)	38
Type of installation	Built in

OVERALL MEASUREMENTS	
Height (mm)	865
Width (mm)	540
Depth (mm)	525
Net weight (Kg)	28,4
Power supply	
Power supply (V/Hz)	220-240
Power rate (W)	55
Energy daily consumption (KWh/24 hours)	0,493

FEATURES	
Electronic controls	•
Number of bottles	35
Stainless steel door handle	•
Hidden evaporation	•
Inner light	•
Mobile shelves	•
Adjustable feet (front/rear)	• / -
Temperature control (red wine 13°C-16°C)	•
Temperature control (red wine 5°C-16°C)	•
Temperature control (red wine 7°C-16°C)	•
Optical alarm	•
Adjustable shelves	•
Number of shelves	4
Aluminium and glass door	•



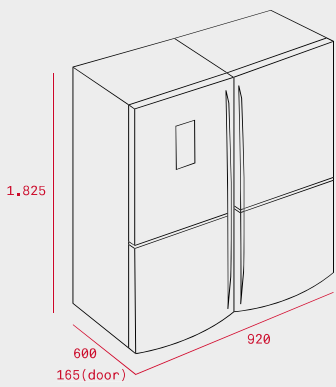
RVI 35

(1) Energy efficiency class "X" on a scale from G (least efficiency to A+++ (most efficiency)

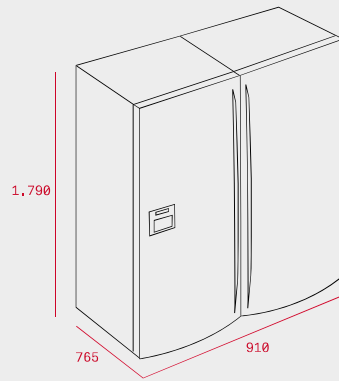
(2) Energy consumption "XYZ" kWh per year, based on standard test results for 24 hours. Actual energy consumption will depend on how the appliance is used and where it is located.

(3) Temperature rise time

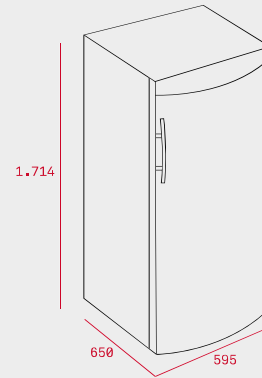
(4) For wine storage appliances "This appliance is intended to be used exclusively for the storage of wine". This point shall not apply to household refrigerating appliances that are not specifically designed for wine storage but may nevertheless be used for this purpose nor to household refrigerating appliances that have a wine storage compartment combined with any other compartment type.



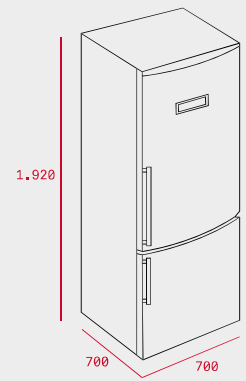
POLAR NFE 900X



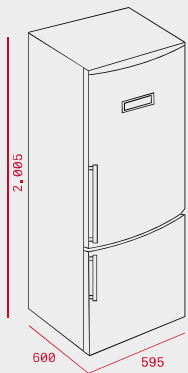
POLAR NFE3 650X



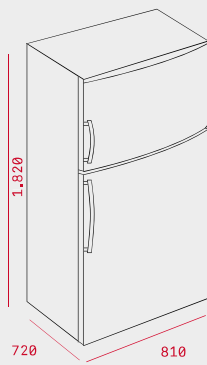
POLAR TGF3 270 NF
POLAR TS3 370



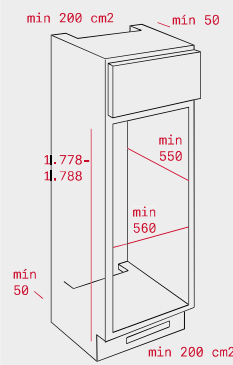
NFE2 420



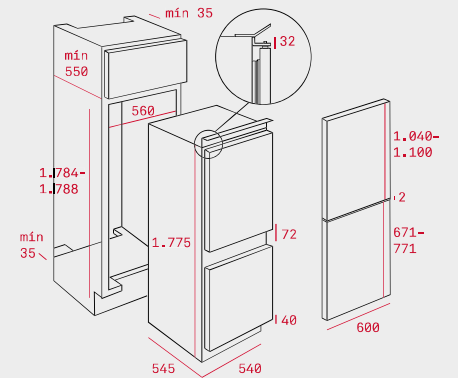
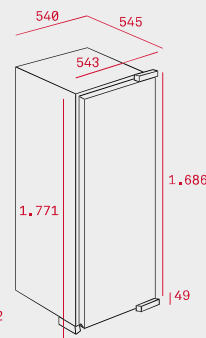
NFE2 400



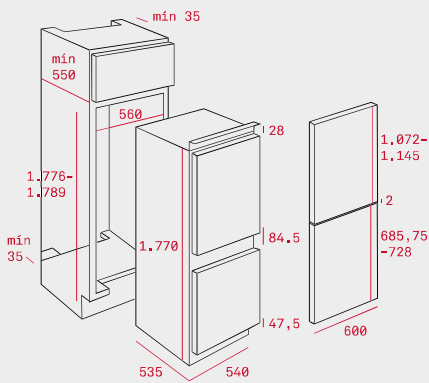
NFV2 640



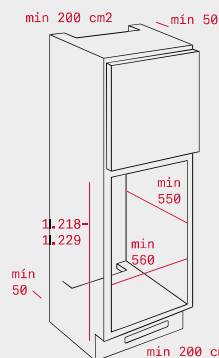
ARTIC TGI2 200 NF · ARTIC TKI2 300



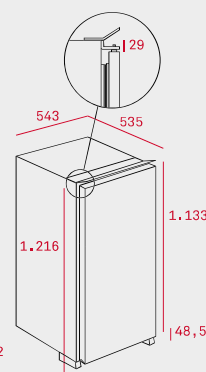
ARTIC CI3 350 NF



ARTIC CI2 330 NF



ARTIC TKI3 215



TGI2 120 D · TFI3 130 D · TKI3 145 D

