



# O V E N S

WISHES COME TRUE

*At Teka, we believe that without convenience and ease of use,  
there can be no innovation.*

*That is why our WISH ovens are truly innovative*



## RANGE OVERVIEW



*Maestro*



*Total*

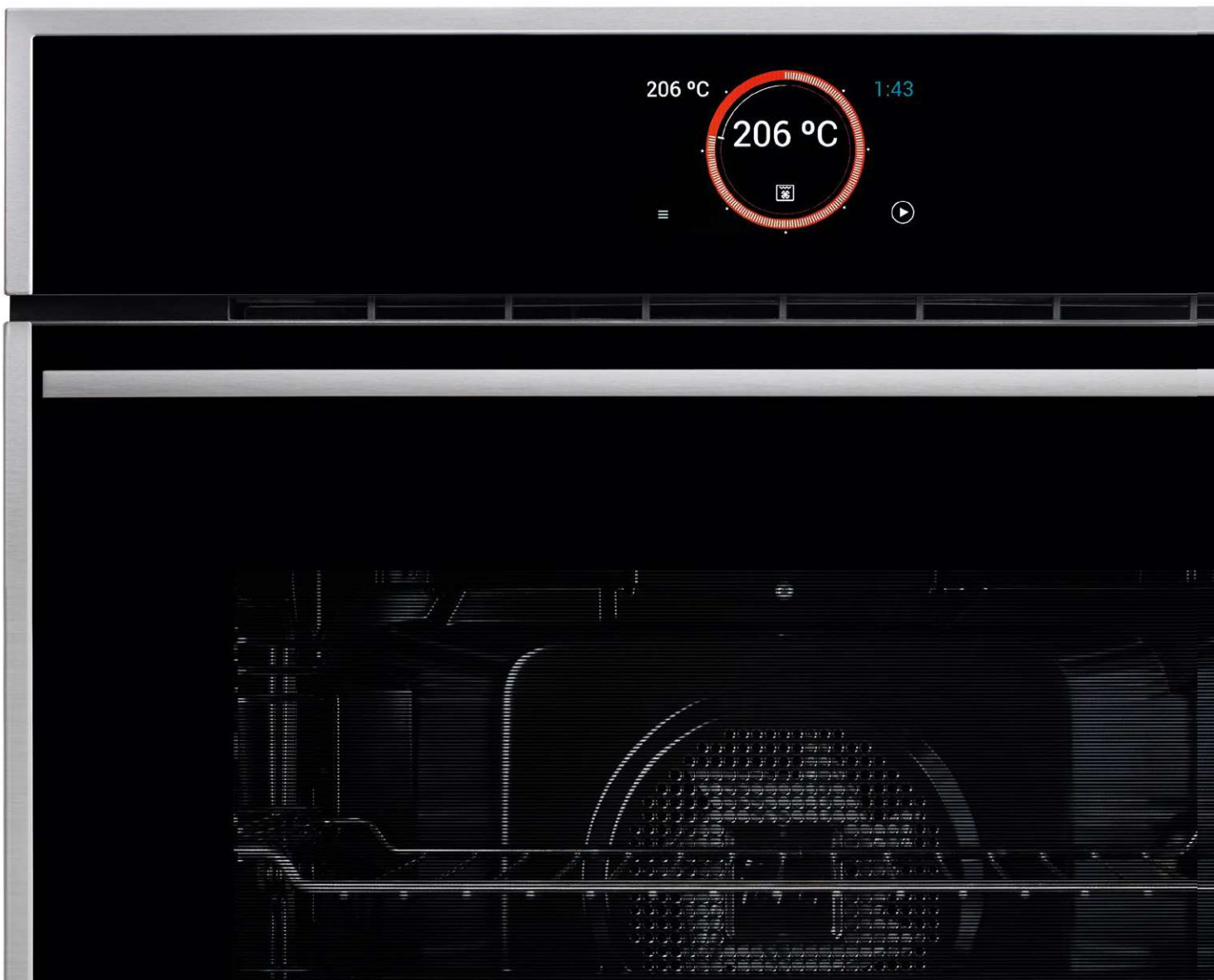


*Easy*

# WISH

*Make a wish*

**WISH**, THE SPECTACULAR NEW OVEN RANGE CREATED BY TEKA. HIGHLY ACCURATE, LOW CONSUMPTION APPLIANCES WHICH ARE VERY EASY TO USE AND CLEAN AND WILL MAKE ALL YOUR COOKING DREAMS COME TRUE - IN A REAL KITCHEN!



**WISH**  
 ovens have been tested  
 in the world's  
 most demanding laboratory:  
 your kitchen.



**REAL SPACE**

With more space inside: Up to 76 litres useful capacity, 30% more than previous models. Trays with 7.5% greater surface area. Now with anti-tip system.



**REAL PRECISION**

WISH ovens increase your haptic sensation with new control knobs. Their wider diameter makes for an easy grip and increases precision in every movement.



**REAL SAVINGS**

WISH ovens reduce energy consumption by up to 20% compared to previous models. Highly efficient, they have a lot to offer and reduce the carbon footprint.



**REAL CLEAN WITH HYDROCLEAN**

**HYDRO CLEAN**  
 Hydroclean® PRO  
 The real Eco-cleaning solution, Thanks to the electronic time set-up and just with a glass of water your oven will be clean in 24 minutes with hardly any effort.

## REAL PRACTICALITY

The new ovens from Teka are innovative:



### NEW DESIGN OF THE BACK WALL AND GRILL

The new design of the back wall provides better heat distribution and easier cleaning. The new grill covers a greater surface area and its design grills foods more evenly.

From 30°C to 270°C.



### NEW TELESCOPIC GUIDES

More robust and smoother-running. They allow for smoother removal of the trays with complete precision. The Clip-on system of the guides makes them also easier to install.



### MORE ACCESSORIES. GREATER POSSIBILITIES.

The **MultiCook tray** allows you to cook more dishes at the same time, even steam cooking in the trays or grill; and the **optional die-cast aluminium tray** with its anti-stick coating can be used both in the oven and on induction or glass-ceramic hobs.



## ANYTHING YOU COULD WISH FOR

A NEW RANGE OF WISH OVENS WHERE YOU  
CAN CHOOSE:

- ▶ A+ ovens with HydroClean® cleaning systems
- ▶ With a TFT screen or LCD display
- ▶ Ergonomic control knobs
- ▶ Up to 50 pre-programmed recipes.
- ▶ Meat probe and SlowCook function
- ▶ 2 or 3 full removable glazed door
- ▶ "Plus" telescopic guides.
- ▶ Tangential ventilation Plus with 2 speeds
- ▶ Automatic express quick heating
- ▶ Drop down grill
- ▶ MultiCook or cast aluminium trays with anti-stick coating
- ▶ And black, white or stainless steel ovens

**Whatever you may  
WISH for!**



# MAESTRO RANGE

*For those who go one step further*

FOR THOSE WHO ARE NOT SATISFIED WITH JUST BEING LIKE EVERYONE ELSE AND WHO, IN ADDITION TO USER-FRIENDLINESS AND PRECISION, SEEK A REFLECTION OF THEIR PERSONALITY.



## THE RECIPES YOU WISH FOR

As if there were always a chef at home!

That's how new WISH ovens make you feel. Up to 50 pre-programmed recipes.

Prepare the ingredients and the oven will adjust the temperature and function automatically.

## SLOW COOKING

Cook like a professional!

The **SlowCook** function is the most efficient technique for enhancing your recipes' flavours and textures.

A function that will never cease to surprise you.

## COOKED TO PERFECTION

By using the meat probe, you can choose the finish that you really like in your meat roasts. In this way, you guarantee the desired results, without having to make incisions or go for broke at the end.

# WISH

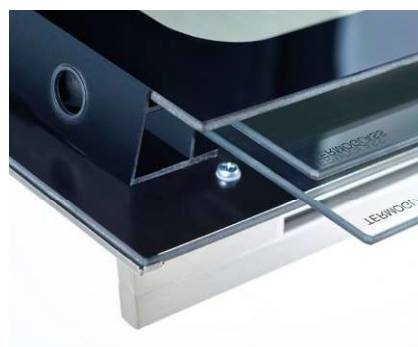
## OVENS WITH FULL-COLOR 4" AND 5" TFT DISPLAYS

New **WISH** ovens range are everything you have ever dreamt of. They will guide you step by step, delivering ultimate control and precision thanks to their full-colour 4" and 5" TFT displays.



### SMOOTHNESS, ABOVE ALL

With the **SoftClose** system, avoid unpleasant slamming thanks to the oven's smooth opening and closing. **SoftClose** also ensures safety and comfort.



### ULTIMATE SAFETY AND CLEANLINESS

The **Cool Touch System**®, with up to 3 glass panels, prevents burns. Furthermore, the glass panels and the doors can be taken apart, making cleaning them properly easy.



### FULL VISIBILITY

The **iOVEN's** side LED light gives you an unbeatable view of your food. And if you want to taste it, take out the tray safely and smoothly thanks to the **"Plus"** telescopic guides.



### MINIMUM ENERGY CONSUMPTION GUARANTEED

Reduce preheating time with no additional energy consumption. Save more with models that shut off automatically when you open the door.

# \_ TOTAL RANGE

*For those who ask their oven for everything for everyone*

FOR THOSE WHO ARE PROUD OF THEIR HOMES AND SEEK DESIGN, FUNCTIONALITY, RELIABILITY AND, ABOVE ALL, A BALANCE BETWEEN PERFORMANCE AND CONSUMPTION.



## A NEW STYLE

The new range of Total ovens delivers ultimate precision. They are easy to operate thanks to their Touch Control panel with a white LED display.

Models come with a new, sleek, straight, aluminium handle that is soft to the touch and makes the door easier to open.

Their full glazed door with a fine stainless steel edge is not only elegant but also makes it easier for you to see what you are cooking.





**HYDRO CLEAN**

**Hydroclean® PRO**

The real Eco-cleaning solution, Thanks to the electronic time set-up and just with a glass of water your oven will be clean in 24 minutes with hardly any effort.



**SAVINGS GUARANTEED**

The Total oven range enjoys the savings delivered by an A+ energy rating: up to 20% less electricity consumption compared to an A rating. Savings you feel in your pocket.



**SMOOTH TRAY REMOVAL GUIDES**

Keep an eye on your recipe's cooking progress without risking dropping your tray thanks to the easily removable telescopic guides. The trays are also fitted with an anti-tip system.



**IN LINE WITH NEW LIFESTYLES**

Quick and consistent thawing of all kinds of frozen foods, ranging from meat to, for example, bread or ready-prepared recipes, cakes or frozen foods.



**ENERGY EFFICIENT**

Ideal for preparing all kinds of foods with the lowest energy consumption. Their smart temperature control system adapts consumptions to ensure the best results.



**SAFETY ABOVE ALL ELSE**

The forced ventilating system reduces steam temperature before it is expelled outside. It improves oven cooling reducing the temperature of surrounding furniture.



**COOK PIZZA, PASTRY, CAKES... AS NEVER BEFORE!**

Thanks to the combination of bottom heat and the turbo (circular heating element) that improves heat distribution.



**UNTOUCHED BY LITTLE CHILDREN'S MISCHIEF**

The safety lock prevents programmes from being changed, especially by children.

# TEKA HYDROCLEAN

*HydroClean® - The real Eco Cleaning solution*

NEW **WISH** OVENS FEATURE ECO CLEANING SOLUTION.  
HYDROCLEAN® FOR DAILY CLEANING.



Teka makes our consumers' dreams come true thanks to its Hydroclean® system: Keeping the oven clean using only the power of water .





## HYDROCLEAN®

TEKA OFFERS YOU  
2 WATER SELF-CLEANING OPTIONS:



### HYDROCLEAN® PRO

Activate the HydroClean® PRO function at the press of a button. As easy as pie!



### HYDROCLEAN® ECO

The manual and most ecological option. Add water, set the bottom heat function at 90°C for 4 minutes, wait 20 minutes and ready to go!



The combined action of the steam generated in the oven cavity and HydroClean® technology removes grease and grime with just a glass of water and a few drops of detergent poured onto a wipe. Ready in just 24 effort-free minutes!










### NEW SLIPPERY ENAMEL

Cleaning new **WISH** ovens is more efficient thanks to the Slippery enamel that coats their entire interior. This latest-generation enamel keeps the inside of your oven clean for longer as it resists sticking and increases slipperiness. Its resistance to acids and chemical agents also lengthens its useful life and improves protection against occasional knocks that occur during cooking. With Teka's exclusive enamel, the water HydroClean® self-cleaning functions improve results by keeping your oven interior in perfect condition.

# WISH OVENS

*Minimum consumption, highly accurate and very easy to use*

		_ M A E S T R O					
		TFT 5"	TFT 4"	TOUCH CONTROL DISPLAY LED			
MULTIFUNCTION	TURBO HIDROCLEAN PRO	 IOVEN	 HLB 860	 HLB 850	 HLB 840	 HLB 840 WHITE	 HLF 940
	STRIP HIDROCLEAN ECO				 HLB 830		
CONVENTIONAL	HIDROCLEAN ECO						
GAS							

## MAESTRO

Domestic appliances for those who like going one step further. For those who will not settle for being like the rest.

## TOTAL

Designed for those who demand everything of their appliances, for everyone in the house. Maximum effectiveness in any situation.

## EASY

For those who prefer no complications in the kitchen without denying themselves an appliance that gives so much while asking for so little in return.

### \_ TOTAL

TOUCH CONTROL  
DISPLAY LED



HSB 645

ANALOGIC



HR 750

MECHANICAL



HSB 615



HSF 900

### \_ EASY

MECHANICAL



HBB 605



HBB 535



HBB 435



HSF 924 G



HSF 930 G



HGS 740



CODE: 41560160

## WISH IOVEN INOX

— **\_MAESTRO**

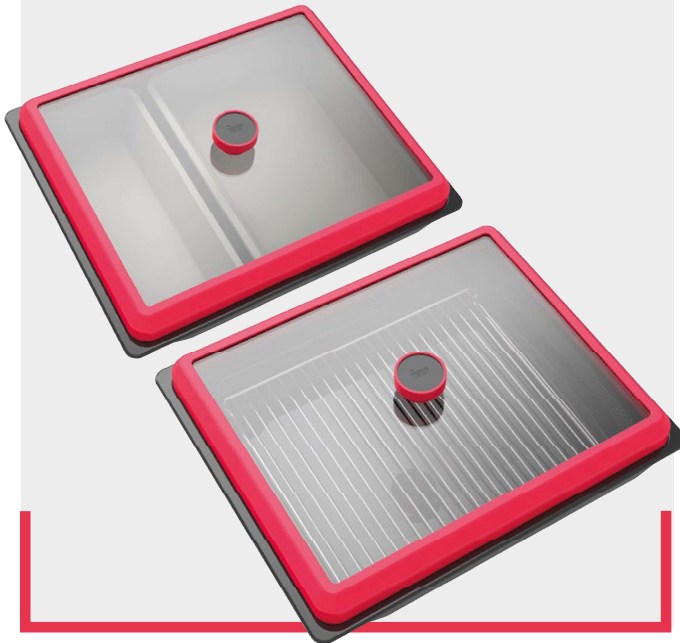


### Multifunction Turbo

- Hydroclean® PRO cleaning system
- Slippery enamel
- A+ Energy class: up to 20% less consumption
- Capacity, gross/net: 71/70 litres
- 18 cooking functions
- TFT 5" true color Touch control
- Personal Cook assistant: 50 programmed recipes
- Meat probe
- Automatic Express preheating
- SlowCook function: low temperature cooking
- Keep warm, bake bread, quick heating, pizza, ferment, defrosting & ECO functions
- Children safety block
- Automatic disconnection security system
- Triple removable glazed door
- SoftClose door
- Full glass inner door
- 2 Plus telescopic guides easy slide
- Drop down maxi grill
- Multicook tray
- Anti-tip deep & baking tray and 2 reinforced grids
- 2 lateral Led
- Tangential ventilation
- Optional cast aluminium tray

### MULTICOOK TRAY

Ideal to cook several foods at the same time. It allows steam cooking in the trays or grill.



### COLOR

Fingerprint proof stainless steel / Black

### EXTERNAL DIMENSIONS

↑ 595 mm → 595 mm ↻ 559 mm





CODE: 41560090



CODE: 41560290

WISH HLB 860

— \_MAESTRO



**Multifunction Turbo**

- HydroClean® PRO cleaning system
- Slippery enamel
- A+ Energy class: up to 20% less consumption
- Capacity, gross/net: 71/70 litres
- 12 cooking functions
- Touch Control panel with TFT 4"
- LED illuminated knob
- Personal Cook assistant: 20 programmed recipes
- Automatic Express preheating
- SlowCook function: low temperature cooking
- Pizza, ferment, defrosting & ECO functions
- Children safety block
- Automatic disconnection security system
- Triple removable glazed door
- SoftClose door
- Full glass inner door
- 1 telescopic guide easy slide
- Drop down maxi grill
- Anti-tip deep tray and reinforced grid
- Tangential ventilation
- Optional Multicook and cast aluminium tray

**COLOR**

Fingerprint proof stainless steel / Black

**EXTERNAL DIMENSIONS**

⬆ 595 mm ➡ 595 mm ↻ 559 mm

WISH HLB 850

— \_MAESTRO



**Multifunction Turbo**

- HydroClean® PRO cleaning system
- Slippery enamel
- A+ Energy class: up to 20% less consumption
- Capacity, gross/net: 71/70 litres
- 9 cooking functions
- Touch Control panel with LED display
- Express preheating
- ECO & defrosting functions
- Children safety block
- Triple removable glazed door
- SoftClose door
- Full glass inner door
- 1 telescopic guide easy slide
- Drop down maxi grill
- Anti-tip deep tray and reinforced grid and baking tray
- Dynamic ventilation
- Optional Multicook and cast aluminium tray

**COLOR**

Fingerprint proof stainless steel / Black

**EXTERNAL DIMENSIONS**

⬆ 595 mm ➡ 595 mm ↻ 559 mm



CODE: 41560070

WISH HLB 840

— \_MAESTRO



**Multifunction Turbo**

- HydroClean® PRO cleaning system
- Slippery enamel
- A+ Energy class: up to 20% less consumption
- Capacity, gross/net: 71/70 litres
- 9 cooking functions
- Touch Control panel with LED display
- Express preheating
- ECO & defrosting functions
- Children safety block
- Double removable glazed door
- Full glass inner door
- 1 telescopic guide easy slide
- Drop down maxi grill
- Anti-tip deep tray and reinforced grid
- Dynamic ventilation
- Optional Multicook and cast aluminium tray

**COLOR**

Fingerprint proof stainless steel / Black

**EXTERNAL DIMENSIONS**

⬆ 595 mm ➡ 595 mm ↻ 559 mm



CODE: 41560071

WISH HLB 840 WHITE

— \_MAESTRO



**Multifunction Turbo**

- HydroClean® PRO cleaning system
- Slippery enamel
- A+ Energy class: up to 20% less consumption
- Capacity, gross/net: 71/70 litres
- 9 cooking functions
- Touch Control panel with LED display
- Express preheating
- ECO & defrosting functions
- Children safety block
- Double removable glazed door
- Full glass inner door
- 1 telescopic guide easy slide
- Drop down maxi grill
- Anti-tip deep tray and reinforced grid
- Dynamic ventilation
- Optional Multicook and cast aluminium tray

**COLOR**

White

**EXTERNAL DIMENSIONS**

⬆ 595 mm ➡ 595 mm ↻ 559 mm





CODE: 41560060

**WISH HLB 830****— \_MAESTRO****Multifunction Turbo**

HydroClean® PRO cleaning system  
Slippery enamel  
A+ Energy class: up to 20% less consumption  
Capacity, gross/net: 71/70 litres  
6 cooking functions  
Touch Control panel with LED display  
Express preheating  
ECO & defrosting functions  
Children safety block  
Double removable glazed door  
Full glass inner door  
1 telescopic guide easy slide  
Anti-tip deep tray and cooking grid  
Dynamic ventilation  
Optional Multicook and cast aluminium tray

**COLOR**

Fingerprint proof stainless steel / Black

**EXTERNAL DIMENSIONS**

⬆ 595 mm ➡ 595 mm ↻ 559 mm



CODE: 41560150

**WISH HSB 645****— \_TOTAL****Multifunction Turbo**

HydroClean® PRO cleaning system  
Slippery enamel  
A+ Energy class: up to 20% less consumption  
Capacity, gross/net: 71/70 litres  
9 cooking functions  
Touch Control panel with LED display  
Express preheating  
ECO and defrosting functions  
Children safety block  
Double removable glazed door  
Full glass inner door  
1 telescopic guide easy slide  
Anti-tip deep & baking trays and cooking grid  
Dynamic ventilation  
Optional Multicook and cast aluminium tray

**COLOR**

Fingerprint proof stainless steel

**EXTERNAL DIMENSIONS**

⬆ 595 mm ➡ 595 mm ↻ 559 mm



CODE: 41560120

WISH HSB 615

— \_TOTAL



**Multifunction**

- HydroClean® ECO cleaning system
- Slippery enamel
- A Energy class
- Capacity, gross/net: 71/70 litres
- 6 cooking functions
- Minute Minder
- Express preheating function
- ECO and defrosting functions
- Double removable glazed door
- Full glass inner door
- 1 telescopic guide easy slide
- Anti-tip deep tray and cooking grid
- Dynamic ventilation
- Optional Multicook and cast aluminium tray

**COLOR**

Fingerprint proof stainless steel

**EXTERNAL DIMENSIONS**

⬆ 595 mm ⬇ 595 mm ↗ 559 mm



CODE: 41560050

WISH HBB 605

— \_EASY



**Multifunction**

- HydroClean® ECO cleaning system
- Slippery enamel
- Energy class: A
- Capacity, gross/net: 71/70 litres
- 6 cooking functions
- Minute minder
- Express preheating function
- ECO and defrosting functions
- Double removable glazed door
- Full glass inner door
- Anti-tip deep tray and cooking grid
- Dynamic ventilation
- Optional Multicook tray

**COLOR**

Fingerprint proof stainless steel

**EXTERNAL DIMENSIONS**

⬆ 595 mm ⬇ 595 mm ↗ 559 mm



CODE: 41560040

**WISH HBB 535**— **\_EASY****Conventional**

HydroClean® ECO cleaning system  
 Slippery enamel  
 Energy class: A  
 Capacity, gross/net: 77/76 litres  
 3 cooking functions  
 Minute minder  
 Double removable glazed door  
 Full glass inner door  
 Anti-tip deep tray and cooking grid  
 Dynamic ventilation  
 Optional Multicook tray

**COLOR**

Fingerprint proof stainless steel

**EXTERNAL DIMENSIONS**

595 mm 595 mm 559 mm



CODE: 41560010

**WISH HBB 435**— **\_EASY****Conventional**

Slippery enamel  
 Energy class: A  
 Capacity, gross/net: 75/72 litres  
 3 cooking functions  
 Double removable glazed door  
 Full glass inner door  
 Anti-tip deep tray and cooking grid  
 Dynamic ventilation  
 Optional Multicook tray

**COLOR**

Fingerprint proof stainless steel

**EXTERNAL DIMENSIONS**

595 mm 595 mm 559 mm



CODE: 41592226

### HLF 940

— **\_MAESTRO**



#### Multifunction Turbo

HydroClean® PRO cleaning system  
 Energy class: A  
 Capacity, gross/net: 91/77 litres  
 9 cooking functions  
 Touch Control panel  
 Black knobs  
 Children safety block  
 Triple glazed door  
 Full glass inner door  
 2 telescopic guides ( 1 Plus extraction )  
 Drop down maxi grill  
 Deep & baking tray and reinforced grid  
 Tangential ventilation

—  
**COLOR**

Fingerprint proof stainless steel

**EXTERNAL DIMENSIONS**

⬆ 480 mm ⬇ 890 mm ↻ 560 mm



CODE: 41592225

### HSF 900

— **\_TOTAL**



#### Multifunction

HydroClean® ECO cleaning system  
 Energy class: A  
 Capacity, gross/net: 91/77 litres  
 7 cooking functions  
 Black knobs  
 Full glass inner door  
 Drop down maxi grill  
 Deep tray and cooking grid  
 Tangential ventilation

—  
**COLOR**

Fingerprint proof stainless steel

**EXTERNAL DIMENSIONS**

⬆ 480 mm ⬇ 890 mm ↻ 560 mm



CODE: 41596123

**HSF 924 G**

— \_TOTAL

**Multifunction gas oven with electric grill**

Energy class: B  
 Capacity Gross/Net: 88/69 litres  
 5 cooking functions  
 Black knobs with stop programmer  
 Adjustable thermostat  
 Automatic gas oven ignition  
 Safety device  
 Double glazed door  
 Full glass inner door  
 Chromed guides, 5 cooking levels  
 Deep tray and cooking grid  
 Tangential ventilation

**COLOR**

Fingerprint proof stainless steel

**EXTERNAL DIMENSIONS**

↑ 595 mm → 898 mm ↻ 549 mm



CODE: 41596124

**HSF 930 G**

— \_TOTAL

**Multifunction gas oven with gas grill**

Energy class: B  
 Capacity Gross/Net: 88/64 litres  
 4 cooking functions  
 Black knobs with stop programmer  
 Adjustable thermostat  
 Automatic gas oven ignition  
 Safety device  
 Double glazed door  
 Full glass inner door  
 Chromed guides, 5 cooking levels  
 Deep tray and cooking grid  
 Tangential ventilation

**COLOR**

Fingerprint proof stainless steel

**EXTERNAL DIMENSIONS**

↑ 595 mm → 898 mm ↻ 549 mm



CODE: 41597404

### HGS 740

— \_TOTAL



#### Multifunction gas oven with gas grill

- Energy class: B
- Capacity Gross/Net: 56.3/45.6 litres
- 4 cooking functions
- Mechanical timer with stop programmer
- Children safety block
- Double glazed door
- Full glass inner door
- Side catalytic panels
- Deep tray and cooking grid
- Tangential ventilation
- Nozzels to LPG gas

#### COLOR

Stainless steel

#### EXTERNAL DIMENSIONS

↑ 595 mm → 595 mm ↻ 562 mm



CODE: 41564214

### HR 750

— \_TOTAL



#### Multifunction Turbo

- Energy class: A
- Capacity, gross/net: 65/57 litres
- 9 cooking functions
- Analogic timer with stop programmer
- Automatic disconnection security system
- Double glazed door
- Full glass inner door
- 2 telescopic guides easy slide
- Drop down maxi grill
- Deep & baking tray and cooking grid
- Dynamic ventilation

#### COLOR

Beige

#### EXTERNAL DIMENSIONS

↑ 595 mm → 595 mm ↻ 562 mm



## TEKA STEAM OVEN. THE REAL HEALTHY, TASTY OPTION

Do you want to cook as a real professional chef? Steam cooking is the trick. Combine steam and hot air simultaneously and your favourite recipes will keep all the natural juiciness and succulence of the food inside, with a crispy crust outside. Just the way you like it.

### AND... WHAT ELSE?

- ▶ By using Teka steam ovens, your meals will keep all their vitamins, minerals and natural nutrients, which are usually destroyed when using traditional cooking methods.
- ▶ Your recipes will have a perfect finish! All flavours, colours, textures and tastes will be enhanced.
- ▶ It needs less oil to cook and food doesn't need to be defrosted!
- ▶ And it even cooks 20% faster



NEW

CODE: 40589020

WISH HLC 847SC

— \_MAESTRO



### Multifunction Turbo + Steamer

HydroClean® PRO cleaning system

A+ Energy class: up to 20% less

Capacity, gross/net: 45/44 litres

TFT 4" true color Touch control

LED illuminated ring knob

Personal cook assistant:

20 pre-programmed recipes, Meat probe

Steam cooking 30-100° C

Automatic Express preheating

SlowCook function: low temperature cooking

Steam combinations, pizza, defrosting & ECO functions

Sterilization and regeneration

Automatic disconnection security system

1 liter water tank

Triple glazed door, SoftClose door

1 Gastronorm with tray

Anti-tip deep tray, perforated stainless steel tray and reinforced grid

Tangential ventilation

### COLOR

Fingerprint proof stainless steel / Black

### EXTERNAL DIMENSIONS

⬆ 455 mm ➡ 595 mm ↻ 559 mm



**NEW**

CODE: 40589951

**WISH VS 152 GS**

**\_MAESTRO**



**Vacuum sealing machine**

Kitchen scale with protective cover  
Roll holder for aluminum film  
Roll holder for transparent film  
Place to store accessories  
Soft-close  
Ideal to combine with Compact Ovens & Microwaves

**COLOR**

Glass front with Fingerprint-proof  
Stainless Steel frame

**EXTERNAL DIMENSIONS**

⬆ 140 mm ➡ 595 mm ⚙ 557 mm



**NEW**

CODE: 40589920

**WISH CP 15 GS**

**\_MAESTRO**



**Plate warmer**

Push-pull opening system  
Telescopic drawer with anti-sliding material  
6 place settings  
10 cm. usable height  
Temperature range 30°-80°C  
Max. nominal power : 430 W  
Ideal to combine with Compact Ovens & Microwaves

**COLOR**

Glass front with Fingerprint-proof  
Stainless Steel frame

**EXTERNAL DIMENSIONS**

⬆ 140 mm ➡ 595 mm ⚙ 557 mm



**TEPLO  
PLATE WARMER**

The Teplo plate warmer fits perfectly in your kitchen. It is ideal for keeping hot food warm until you are ready to serve without drying it. It has a stylish steel warming drawer for a flush finish in your kitchen.

**PROFESSIONAL COOKING AT HOME**

Teka offers you a real professional workplace built into a 14 cm drawer. With the new Vacuum Sealer you will be able to weigh food accurately before vacuum sealing it or simply wrap it using the film and foil dispenser.



Besides, vacuum sealing revolutionises the way you cook, especially with steam ovens. It prevents food shrinkage and locks in nutrients and flavours.

The removal of air from the bag also allows efficient heat transfer. Real professional expertise fully integrated into your kitchen.









PRODUCT FICHE ACCORDING TO COMMISSION DELEGATED REGULATION (EU) NO 65/2014

Model	iOVEN	HLB 860	HLB 850	HLB 840	HLB 830
Energy Efficiency Index (EEI)	81	81	81	81	81
Energy Efficiency Class	A+	A+	A+	A+	A+
Energy consumption per cycle in conventional mode (kWh)	0,83	0,83	0,81	0,81	0,81
Energy consumption per cycle in fan-forced convection mode (kWh)	0,68	0,68	0,68	0,68	0,68
Number of cavities	1	1	1	1	1
Heat source	Electric	Electric	Electric	Electric	Electric
Volume (l)	70	70	70	70	70

**DIMENSIONS**

External, mm	595x595x 559	595x595x 559	595x595x 559	595x595x 559	595x595x 559
Inner cavity, mm	367x475x405	367x475x405	367x475x405	367x475x405	367x475x405

**CLEANING SYSTEMS**

DualClean	-	-	-	-	-
Pyrolytic	-	-	-	-	-
HydroClean®	PRO	PRO	PRO	PRO	PRO
Enamel	Slippery	Slippery	Slippery	Slippery	Slippery

**FEATURES**

Type	Multifunction Turbo	Multifunction Turbo	Multifunction Turbo	Multifunction Turbo	Multifunction
Stainless steel (fingerprint proof)	•	•	•	•	•
Cooking functions	18	12	9	9	6
Temperature regulator	30-270°	30-270°	50-250°	50-250°	50-250°
Touch Control	• / TFT 5"	• / TFT 4"	• / LED display	• / LED display	• / LED display
LED ring illuminated knobs	-	•	-	-	-
SoftClose	•	•	•	-	-
Recipes	50 recipes	20 recipes	-	-	-
Meat probe	•	-	-	-	-
SlowCook: low temperature cooking	•	•	-	-	-
Tangential ventilation	•	•	Dynamic	Dynamic	Dynamic
Express quick heating	Automatic	Automatic	•	•	•
Telescopic guides	2 Full easy slide	1 easy slide	1 easy slide	1 easy slide	1 easy slide
Drop-down grill	•	•	•	•	-
Light	2 side LED, 4W	25W	25W	25W	25W

**SAFETY SYSTEMS**

Full glazed door	3 removable	2 removable	3 removable	2 removable	2 removable
Automatic disconnection security system	•	•	-	-	-
Children safety	•	•	•	•	•
Grill protection	•	•	•	•	•
Anti-tip tray system	•	•	•	•	•

**ACCESORIES**

MultiCook / cast aluminium tray	1 / optional	optional	optional	optional	optional
Anti-tip baking / deep tray (50 mm)	1 / 1	- / •	• / •	- / •	- / •
Anti-tip reinforced / cooking grid	2 / -	• / -	• / -	• / -	- / •

**POWER CONSUMPTION**

Turbo, W	2,000	2,000	2,000	2,000	-
Grill / Maxi grill, W	1,100/2,500	1,100/2,500	1,100/2,500	1,100/2,500	1,100/2,500
Traditional, W	2,550	2,550	2,550	2,550	2,550
Multifunction motor, W	22	22	22	22	22
Bottom heat, W	1,150	1,150	1,150	1,150	1,150
Cooling fan motor, W	18	18	18	18	18

**ELECTRICAL FEATURES**

Voltage, V	220/240	220/240	220/240	220/240	220/240
Frequency, HZ	50/60	50/60	50/60	50/60	50/60
Maximum connection rating, W	3,198	3,215	3,215	3,215	2,615
Cable connection length, cm	150 + Plug	150 + Plug	110	110	110

1) In a scale embracing from A (more efficient) to G (less efficient), Commission directive 2002/40/EC, According to Norm EN50304; 2014 update 65/2014. Models that are steam only or including microwave not subject to legislation. Subject to change without notice.

Model	HSB 645	HSB 615	HBB 605	HBB 535	HBB 435
Energy Efficiency Index (EEI)	81	84,7	84,7	94,8	95,3
Energy Efficiency Class	A+	A	A	A	A
Energy consumption per cycle in conventional mode (kWh)	0,81	0,82	0,82	0,83	0,81
Energy consumption per cycle in fan-forced convection mode (kWh)	0,68	0,71	0,71	-	-
Number of cavities	1	1	1	1	1
Heat source	Electric	Electric	Electric	Electric	Electric
Volume (l)	70	70	70	76	72

#### DIMENSIONS

External, mm	595x595x 559	595x595x 559	595x595x 559	595x595x 559	595x595x 559
Inner cavity, mm	367x475x405	367x475x405	367x475x405	367x475x441	367x475x441

#### CLEANING SYSTEMS

DualClean	-	-	-	-	-
Pyrolytic	-	-	-	-	-
HydroClean®	PRO	ECO	ECO	ECO	-
Enamel	Slippery	Slippery	Slippery	Slippery	Slippery

#### FEATURES

Type	Multifunction Turbo	Multifunction	Multifunction	Conventional	Conventional
Stainless steel (fingerprint proof)	•	•	•	•	White/Black
Cooking functions	9	6	6	3	3
Temperature regulator	50-250°	50-250°	50-250°	50-250°	50-250°
Touch Control	• / LED display	Minute Minder	Minute Minder	Minute Minder	-
LED ring illuminated knobs	-	-	-	-	-
SoftClose	-	-	-	-	-
Recipes	-	-	-	-	-
Meat probe	-	-	-	-	-
SlowCook: low temperature cooking	-	-	-	-	-
Tangential ventilation	Dynamic	Dynamic	Dynamic	Dynamic	Dynamic
Express quick heating	•	•	•	-	-
Telescopic guides	1 easy slide	1 easy slide	-	-	-
Drop-down grill	-	-	-	-	-
Light	25W	25W	25W	25W	25W

#### SAFETY SYSTEMS

Full glazed door	2 removable	2 removable	2 removable	2 removable	2 removable
Automatic disconnection security system	-	-	-	-	-
Children safety	•	-	-	-	-
Grill protection	•	•	•	•	•
Anti-tip tray system	•	•	•	•	•

#### ACCESORIES

MultiCook / cast aluminium tray	optional	optional	optional / -	optional / -	optional / -
Anti-tip baking / deep tray (50 mm)	• / •	• / •	- / •	- / •	- / •
Anti-tip reinforced / cooking grid	- / •	- / •	- / •	- / •	- / •

#### POWER CONSUMPTION

Turbo, W	2.000	-	-	-	-
Grill / Maxi grill, W	1.100/2.500	1.400 / -	1.400 / -	1.400 / -	1.400 / -
Traditional, W	2.550	2.550	2.550	2.550	2.550
Multifunction motor, W	22	22	22	-	-
Bottom heat, W	1.150	1.150	1.150	1.150	1.150
Cooling fan motor, W	18	18	18	18	18

#### ELECTRICAL FEATURES

Voltage, V	220/240	220/240	220/240	220/240	220/240
Frequency, HZ	50/60	50/60	50/60	50/60	50/60
Maximum connection rating, W	3.215	2.615	2.615	2.593	2.593
Cable connection length, cm	110	110	110	110	110



PRODUCT FICHE ACCORDING TO COMMISSION DELEGATED REGULATION (EU) NO 65/2014

Model	HLF 940	HSF 900	HSF 924 G	HSF 930 G	HGS 740
Energy Efficiency Index (EEI) - Main/Top cavity	98,4	103,4	129,4	129,4	112,88
Energy Efficiency Class - Main/Top cavity	A	A/-	B	B	B
Energy consumption per cycle in conventional mode (kWh) - Main/Top cavity	1,10/-	0,99/-	2,36	2,28	1,73
Energy consumption per cycle in fan-forced convection mode (kWh) - Main cavity	0,86/-	0,99/-	2,54	2,48	1,87
Number of cavities	1	1	1	1	1
Heat source - Main/Top cavity	Electric	Electric	Gas+electric	Gas	Gas
Volume (l) - Main/Top cavity	77	77 / -	69	64	45

**DIMENSIONS**

External, mm	480	480	595	595	595
Width, mm	890	890	898	898	595
Depth, mm	560	560	549	549	562
Inner height, mm	318	318	308	280	320
Inner width, mm	639	639	615	615	
Inner depth, mm	380	380	388	388	400

**CLEANING SYSTEMS**

HydroClean®	PRO	ECO	-	-	-
Easy cleaning enamel	Slippery	Slippery	•	•	•

**FEATURES**

Type	Multifunction Turbo	Multifunction	MF gas oven + electric grill	MF gas oven + gas Grill	MF gas oven + gas grill
Stainless steel (fingerprint proof)	•	•	•	•	•
Cooking functions	9	7	5	4	4
Touch control digital timer	•	-	-	-	-
Analogic timer with stop programmer	-	-	-	-	-
Mechanical timer with stop programmer	-	•	•	•	•
Telescopic tray guides	1+1 total	-	-	-	-
Chromed tray guides	•	•	•	•	•
MCS Mix Chamber System	-	-	-	-	-
Forced refrigeration	Tangential	Tangential	Tangential	Tangential	Tangential
Fume scape outlet	Vault	Vault	Vault	Vault	Vault
Light	Side 25+25	25 + 25	25+25	25+25	25

**SAFETY SYSTEMS**

Glazed door	3	2	2	2	2
Door opening security disconnection	•	-	-	-	-
Children safety	•	-	-	-	-
Grill protector	•	•	-	-	-
Anti-tip tray system	•	•	•	•	•
Safety thermostat	•	•	•	•	•

**ACCESORIES**

Baking tray	1	-	-	-	-
Deep tray, 50 mm	1	1	1	1	1
Chromed cooking grid	1	1	1	1	1
Tray handle	-	-	-	-	-

**POWER CONSUMPTION**

Turbo, W	2400	-	-	-	27
Grill / Maxi grill, W	1700 / 2750	1700/2750	2000	2500	1800
Traditional, W	2105	2105	-	-	-
Multifunction motor, W	30	30	30	30	27
Bottom heat, W	1055	1055	4000	4000	2200
Cooling fan motor, W	18	18	18	18	18

**ELECTRICAL FEATURES**

Voltage, V	220/240	220/240	220/240	220/240	220/240
Frequency, HZ	50/60	50/60	50/60	50/60	50/60
Maximum connection rating, W	3553	2848	2098	98	70
Cable connection lenght, cm	190+plug	110	110	110	3 x 0,75

1) In a scale embracing from A (more efficient) to G (less efficient). Commission directive 2002/40/EC. According to Norm EN50304: 2014 update 65/2014. Models that are steam only or including microwave not subject to legislation. Subject to change without notice.

Model	HR 750 BG G
Energy Efficiency Index (EEI) - Main/Top cavity	101,3
Energy Efficiency Class - Main/Top cavity	A
Energy consumption per cycle in conventional mode (kWh) - Main/Top cavity	0,83
Energy consumption per cycle in fan-forced convection mode (kWh) - Main cavity	0,8
Number of cavities	1
Heat source - MainMain/Top cavity	Electric
Volume (l) - MainMain/Top cavity	57

#### DIMENSIONS

External, mm	595
Width, mm	595
Depth, mm	562
Inner height, mm	313
Inner width, mm	455
Inner depth, mm	396

#### CLEANING SYSTEMS

HydroClean®	-
Easy cleaning enamel	•

#### FEATURES

Type	Multifunction Turbo
Stainless steel (fingerprint proof)	Anthracite/Beige / Bright Cream B - brass
Cooking functions	9
Touch control digital timer	-
Analogic timer with stop programmer	•
Mechanical timer with stop programmer	-
Telescopic tray guides	2
Chromed tray guides	•
MCS Mix Chamber System	-
Forced refrigeration	Dinamic
Fume scape outlet	Vault
Light	25

#### SAFETY SYSTEMS

Glazed door	2
Door opening security disconnection	•
Children safety	-
Grill protector	•
Anti-tip tray system	•
Safety thermostat	•

#### ACCESORIES

Baking tray	1
Deep tray, 50 mm	1
Chromed cooking grid	1
Tray handle	-

#### POWER CONSUMPTION

Turbo, W	2000
Grill / Maxi grill, W	1500 / 2600
Traditional, W	-
Multifunction motor, W	30
Bottom heat, W	1150
Cooling fan motor, W	18

#### ELECTRICAL FEATURES

Voltage, V	220/240
Frequency, HZ	50/60
Maximum connection rating, W	2693
Cable connection lenght, cm	195+plug

MODELS	HLC 847 C
Energy Efficiency Index (EEI)	-
Energy Efficiency Class	-
Energy consumption per cycle in conventional mode (kWh)	-
Energy consumption per cycle in fan-forced convection mode (kWh)	-
Number of cavities	1
Heat source	Eléctrica
Volume (l)	40

#### DIMENSIONS

External, mm	455x595x 559
Inner cavity, mm	232x475x365

#### CLEANING SYSTEMS

DualClean	-
Pyrolytic	-
HydroClean®	PRO
Esmalte	Slippery

#### FEATURES

Type	Combi MF Turbo + Microwave
Stainless steel (fingerprint proof)	•/Black
Cooking functions	16
Temperature regulator	30-270°
Touch Control	• / TFT 4"
LED ring illuminated knobs	•
SoftClose	•
Recipes	20 recipes
Meat probe	-
SlowCook: low temperature cooking	•
Tangential ventilation	•
Express quick heating	Automatic
Telescopic guides	1 easy slide
Drop-down grill	-
Light	25W

#### SAFETY SYSTEMS

Glazed door	3
Automatic disconnection security system	•
Children safety block, timer and door	•
Grill protection	•
Anti-tip tray system	•

#### ACCESORIES

MultiCook /cast aluminium tray	-
Anti-tip baking / deep tray (50 mm)	glass
Anti-tip reinforced / cooking grid	•

#### POWER CONSUMPTION

Turbo, W	1.600
Grill / Maxi grill, W	1400/2500
Traditional, W	2.100
Multifunction motor, W	30
Bottom heat, W	1.000
Cooling fan motor, W	18
Mwo power, W	1000

#### ELECTRICAL FEATURES

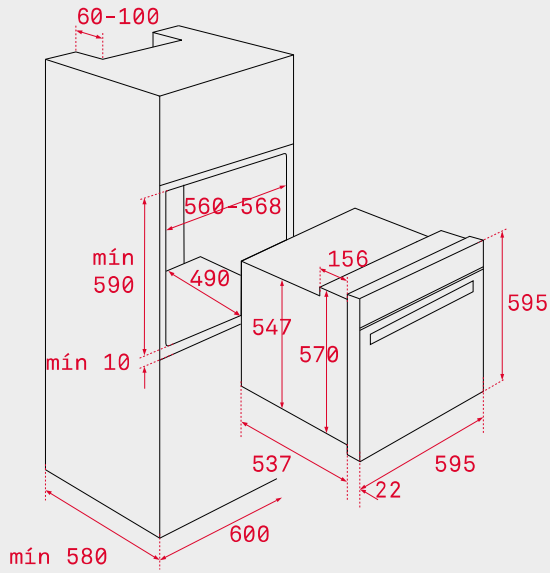
Voltage, V	220-240
Frequency, HZ	50
Maximum connection rating, W	3.400
Cable connection lenght, cm	110



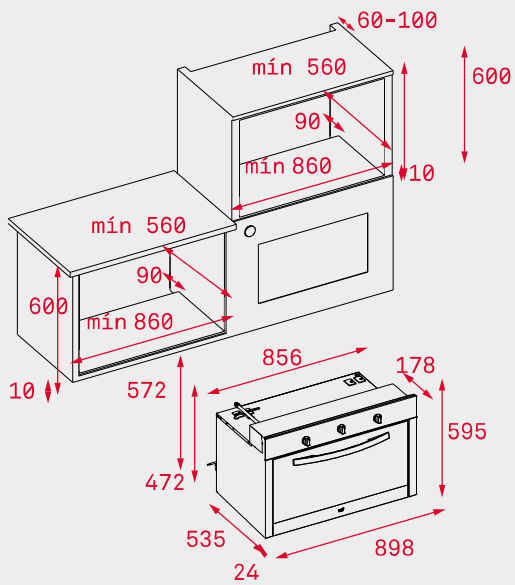
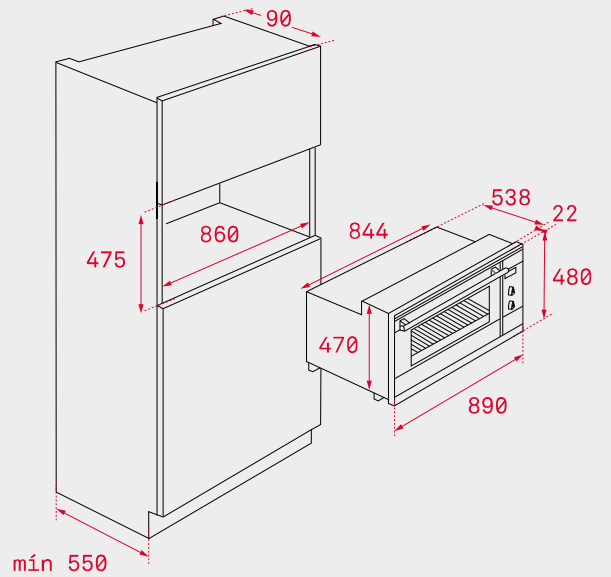
# O V E N S

## INSTALLATION DIAGRAM

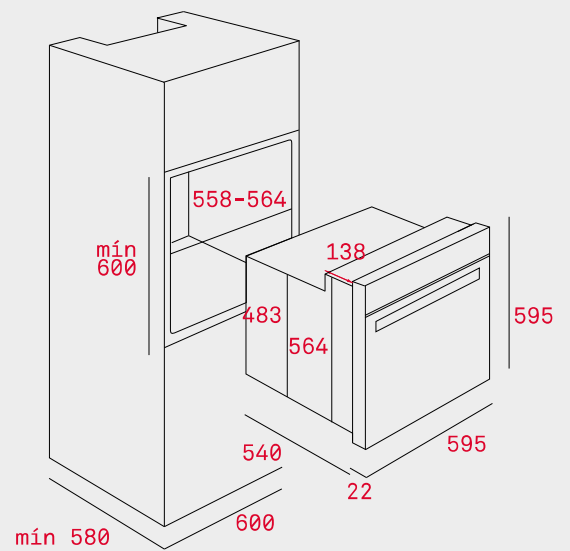
IOVEN • HLB 860 • HLB 850 • HLB 840  
 HLB 830 • HSB 645 • HSB 615 • HBB 605  
 HBB 535 • HBB 435



HLF 940 • HSF 900

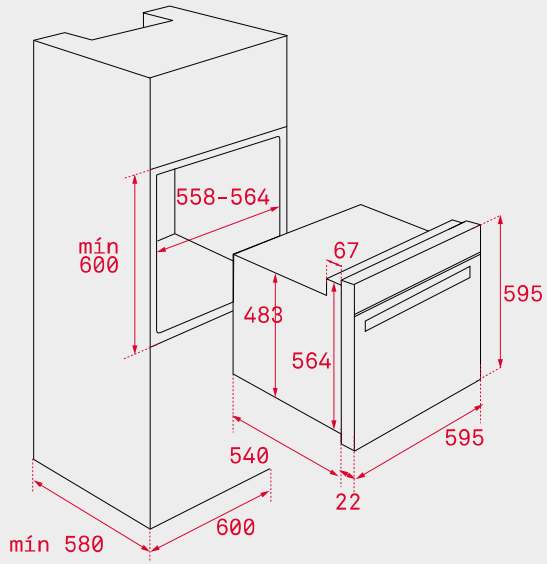


HSF 930 G • HSF 924 G

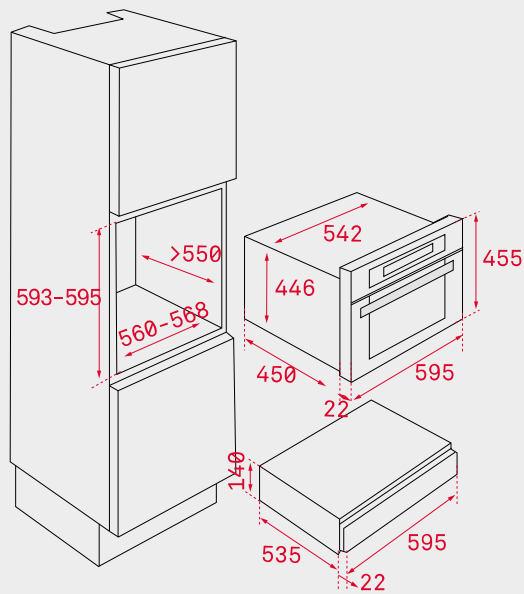
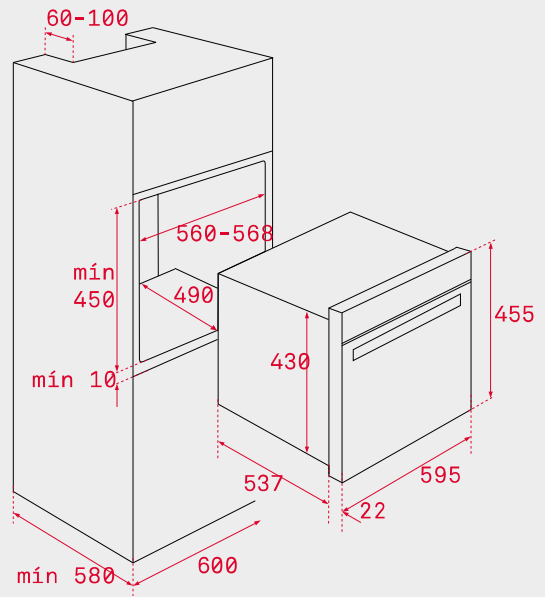


HGS 740

HR 750



HLC 847 SC



VS 152 GS  
CP 15 GS