

I WISH

UNEXPECTED FRIENDS AT  
HOME AND QUICK MEALS

by  
TEKA MICROWAVES





# MICROWAVE

WISHES COME TRUE

*Teka microwaves ovens are your best ally in the kitchen when you WISH to save time without forsaking flavour.*



## RANGE OVERVIEW



*Maestro*



*Total*



*Easy*



# TEKA MICROWAVE OVENS

*The best when you need to cook quick or in a easy way*

TODAY'S FAST-PACED LIFESTYLE SOMETIMES MEANS WE HAVE NO TIME TO SPEND ON COOKING. WITH THE NEW **WISH** MICROWAVES, YOU WILL NEVER HAVE TO GIVE UP DELICIOUS RESULTS.

## ALL COMPLETELY ALIGNED

Teka microwave ovens neat and stylish design with an anti-fingerprint stainless steel finishing, combined perfectly in a trendy column with our **WISH** ovens, an interesting solution in any kitchen environment! Shapes, colours and sizes are carefully designed to achieve what we call the "Teka look".



## LEFT-HANDED OR RIGHT-HANDED?

Our Electronic Door Opening System is available in left and right-hinged versions depending on your side opening requirements. L versions are left-hinged allowing them to open towards the left, while R models open from left to right.



### EXQUISITE COOKING

Teka microwave ovens enhance cooking results and reduce compartment condensation. A tangential fan located at the top creates a Forced Ventilation System that extracts the fumes and hot air generated during cooking, improving the final appearance of your meals.



### DOUBLE MICROWAVE INPUT

The heat waves are spread more evenly thanks to this system, even inside the food. They emit the microwaves from two different points, above and below the magnetron gun. It complements the action of the integrated rotary turntable and minimizes cold zones.



### EASY TO INSTALL

All Teka 20 litre integrated microwaves include a frontal trim kit that is easy to install and uninstall. The frame is fixed to the microwave oven instead of the cabinet, so the assembly process is really fast and easy, taking just 5 to 10 minutes and using only 4 screws!



### MEMORIZE YOUR FAVOURITE RECIPES

Teka microwave ovens allow you to select different power memories and heating times, so you can repeat your favourite recipes as many times as you desire with the same result.



### CRUNCH FUNCTION

Brown all sorts of food with only a spoonful of oil! The ferrite teal browning plate guarantees crisp and even cooking results in a healthier way.



### EASY-TO-CLEAN DROP-DOWN GRILL

Cleaning a microwave oven has never been so easy!. The drop-down grill provides easy access to the top of the cavity, making it easier to keep the inside of your microwave spic-and-span.



### CERAMIC BASES, EXQUISITE COOKING

Ceramic bases let you cook faster while reducing energy consumption. The cooking area is also more spacious and the compartment is easier to clean. Replacing the traditional rotary turntable, a ceramic base also offers consistent wave distribution that provides the best cooking results.












### DRINKS, PIZZA OR CHICKEN?

Your recipes will be ready in a flash. Teka microwave ovens feature direct access menus for drinks, pizza and chicken. Thanks to these options your microwave adapts to any kind of food. Up to 9 direct access menus.

# WISH MICROWAVES

*Minimum consumption, highly accurate and very easy to use*

		_ M A E S T R O			
		TFT 4"	TOUCH CONTROL DISPLAY LED	ELECTRONIC CONTROL DISPLAY LED	TOUCH CONTROL TFT WHITE DISPLAY
COFFEE MACHINES		 <p>CLC835 MC</p>			
	STEAM	MULTIFUNCTION TURBO	 <p>HLC847 SC</p>		
MULTI FUNCTION	COMBI. OVEN + MICROWAVE TURBO	 <p>HLC844 C</p>			
MICROWAVE	MICROWAVE + GRILL	 <p>MLC844</p>		 <p>ML 822 BIS L</p>	 <p>ML 820 BIS</p>
	MICROWAVE	 <p>ML 822 BIS L WHITE</p>			
	VACUUM SEALER	 <p>VS 152 GS</p>			
WARMING DRAWER	 <p>CP 15 GS</p>				

## MAESTRO



Domestic appliances for those who like going one step further. For those who will not settle for being like the rest

## TOTAL

Designed for those who demand everything of their appliances, for everyone in the house. Maximum effectiveness in any situation.

## EASY

For those who prefer no complications in the kitchen without denying themselves an appliance that gives so much while asking for so little in return.

_ TOTAL				_ EASY	
TOUCH CONTROL DISPLAY LED	TFT DISPLAY	MECHANICAL	ANALOGIC	MECHANICAL	
					
					
					
					



**OVEN + MICROWAVE?  
YES, A COMBI**

A high capacity multifunction oven or a microwave? No need to choose when you can have both at the same time. They offer the usual multifunction oven features with the power of a Teka microwave, all in one single appliance.

**MULTIFUNCTION OVENS THAT COOK  
AT THE TOUCH OF A BUTTON**

Just relax! Our compact multifunction ovens have all the benefits of the programmed recipes as well as many other functions.

Choose the kind of food: chicken, lamb, fish, cakes, pizza, etc., select the weight and it's ready to eat! The cooking assistant of Teka Maestro ovens will cook your meal automatically with the best results.



**REAL SAVINGS**

**WISH** ovens reduce energy consumption by up to 20% compared to previous models. Highly efficient, they have a lot to offer and reduce the carbon footprint.



**REAL CLEAN  
Hydroclean®**

The real Eco-cleaning solution, Thanks to the electronic time set-up and just with a glass of water your oven will be clean in 24 minutes with hardly any effort.

**NEW**



CODE: 40587602

**WISH HLC 844C**

**\_MAESTRO**



**Combi Multifunction Turbo + Microwave**

- HydroClean® ECO cleaning system
- Slippery enamel
- Capacity, gross/net: 41/40 litres
- Touch Control panel with LED display
- 11 cooking functions
- Quick start 30"
- 2.500 W maxigrill
- Microwave combinations, pizza and ECO functions
- Defrost by time and weight
- Children safety block
- Automatic disconnection security system
- Triple glazed door
- Chromed guides
- 5 Cooking heights
- Anti-tip glass tray and reinforced grid
- Tangential ventilation

**COLOR**

Fingerprint proof stainless steel / Black

**EXTERNAL DIMENSIONS**

↑ 455 mm → 595 mm ↻ 559 mm



CODE: 40584400

**WISH MLC 844**

**MAESTRO**



**Microwave + grill**

- Slippery enamel
- Capacity, gross/net: 45/44 litres
- Touch Control panel with LED display
- 3 cooking functions
- Quick start 30"
- 5 Power levels, 1.000 W
- 1.400 W grill
- 0-90 min. Timer
- Defrost by time and weight
- Automatic disconnection security system
- Double Glazed door
- Chromed guides
- 5 Cooking heights
- 1 reinforced grid
- Tangential ventilation

**COLOR**

Fingerprint proof stainless steel / Black

**EXTERNAL DIMENSIONS**

↑ 455 mm → 595 mm ↻ 559 mm



CODE: 40586800

**WISH MSC 642**

**TOTAL**



**Microwave + grill**

- Slippery enamel
- Capacity, gross/net: 45/44 litres
- Minute minder
- 3 cooking functions
- Electromechanical control panel
- 5 Power levels, 1.000 W
- 1.400 W grill
- 0-60 min. Timer
- Defrost by time
- Automatic disconnection security system
- Double Glazed door
- Chromed guides
- 5 Cooking heights
- 1 reinforced grid
- Tangential ventilation

**COLOR**

Fingerprint proof stainless steel

**EXTERNAL DIMENSIONS**

↑ 455 mm → 595 mm ↻ 559 mm





NEW

CODE: 40586035

WISH MWR 32 BIA BB

— \_TOTAL



**Microwave + grill**

- Capacity, gross/net: 38/32 litres
- Stainless steel cavity
- Minute minder
- 3 cooking functions
- 5 Power levels, 1.000 W
- 1.500 W drop down grill
- 0-60 min. Timer
- Keep warm & pizza functions
- Defrost by time
- Automatic disconnection security system
- Triple glazed door
- 2 round grid with feet and browning plate
- Integrated rotary turntable, 32 cm
- Tangential ventilation

— **COLOR**

Beige / Brass

— **EXTERNAL DIMENSIONS**

⬆ 455 mm ➡ 595 mm ↻ 472 mm



NEW

CODE: 40584302

WISH ML 822 BIS L

— \_MAESTRO



**Microwave + Grill**

- Capacity: 22 litres
- Electronic Control panel with LED display
- Electronic door opening
- 5 power levels, 850 W
- 9 direct access menus
- 3 cooking functions
- Quick start 30"
- Drop down grill, 1200 W
- 0-90 min. Timer
- Automatic defrosting by time and weight
- Children safety block
- Double glazed door
- Stainless steel inner cavity
- Ceramic base
- Browning plate & Reinforced grid
- Tangential ventilation
- Left door opening

— **COLOR**

Fingerprint proof stainless steel / White

— **EXTERNAL DIMENSIONS**

⬆ 390 mm ➡ 595 mm ↻ 334 mm



CODE: 40584300

**WISH ML 822 BIS L**

**MAESTRO**



**Microwave + Grill**

- Capacity: 22 litres
- Electronic Control panel with LED display
- Electronic door opening
- 5 power levels, 850 W
- 9 direct access menus
- 3 cooking functions
- Quick start 30"
- Drop down grill, 1200 W
- 0-90 min. Timer
- Automatic defrosting by time and weight
- Children safety block
- Double glazed door
- Stainless steel inner cavity
- Ceramic base
- Browning plate & Reinforced grid
- Tangential ventilation
- Left door opening

**COLOR**

Fingerprint proof stainless steel / Black

**EXTERNAL DIMENSIONS**

⬆ 390 mm ➡ 595 mm ↻ 334 mm



CODE: 40584200

**WISH ML 820 BIS**

**MAESTRO**



**Microwave + Grill**

- Capacity: 20 litres
- Touch Control panel with TFT white display
- 5 power levels, 700 W
- 3 direct access menus
- 1 memory
- 3 cooking functions
- Quick start 30"
- 0-90 min. Timer
- Automatic defrosting by time and weight
- Children safety block
- Double glazed door
- Stainless steel inner cavity
- Quartz Grill, 1000 W
- 1 round grid
- Left door opening

**COLOR**

Fingerprint proof stainless steel / Black

**EXTERNAL DIMENSIONS**

⬆ 390 mm ➡ 595 mm ↻ 325 mm



CODE: 40584100

WISH MS 622 BIS L

— \_TOTAL



**Microwave + Grill**

- Capacity: 22 litres
- Touch Control panel with LED display
- Electronic door opening
- 5 power levels, 850 W
- 2 direct access menus
- 3 cooking functions
- Quick start 30"
- Drop down grill, 1200 W
- 0-90 min. Timer
- Automatic defrosting by time and weight
- Children safety block
- Double glazed door
- Stainless steel inner cavity
- Ceramic base
- Reinforced grid
- Tangential ventilation
- Left door opening

**COLOR**

Fingerprint proof stainless steel

**EXTERNAL DIMENSIONS**

⬆ 390 mm ⬆ 595 mm ↻ 334 mm



CODE: 40584102

WISH MS 622 BI

— \_TOTAL



**Microwave**

- Capacity: 22 litres
- Electromechanical controls
- Electronic door opening
- 5 power levels, 850 W
- 1 cooking function
- 0-60 min. Timer
- Automatic defrosting by time
- Double glazed door
- Stainless steel inner cavity
- Ceramic base
- Tangential ventilation
- Left door opening

**COLOR**

Fingerprint proof stainless steel

**EXTERNAL DIMENSIONS**

⬆ 390 mm ⬆ 595 mm ↻ 334 mm



NEW

CODE: 40584010

**WISH MS 620 BIS**

**\_TOTAL**



**Microwave + Grill**

- Capacity: 20 litres
- Touch Control panel with TFT white display
- 5 power levels, 700 W
- 3 direct access menus
- 1 memory
- 3 cooking functions
- Quick start 30"
- 0-90 min. Timer
- Automatic defrosting by time and weight
- Children safety block
- Double glazed door
- Stainless steel inner cavity
- Quartz Grill, 1000 W
- 1 round grid
- Left door opening

**COLOR**

Fingerprint proof stainless steel

**EXTERNAL DIMENSIONS**

⬆ 390 mm ⬆ 595 mm ⬆ 325 mm



NEW

CODE: 40584000

**WISH MB 620 BI**

**\_EASY**



**Microwave**

- Capacity: 20 litres
- Electromechanical controls
- 5 power levels, 700 W
- 1 cooking function
- 0-60 min. Timer
- Automatic defrosting by time
- Double glazed door
- Stainless steel inner cavity
- Left door opening

**COLOR**

Fingerprint proof stainless steel / White

**EXTERNAL DIMENSIONS**

⬆ 390 mm ⬆ 595 mm ⬆ 325 mm



PRODUCT FICHE ACCORDING TO COMMISSION DELEGATED REGULATION (EU) NO 65/2014

MODELS	HLC 844 C	MLC 844	MSC 642	MWR 32 BIA BB
Energy Efficiency Index (EEI)	-	-	-	-
Energy Efficiency Class	-	-	-	-
Energy consumption per cycle in conventional mode (kWh)	-	-	-	-
Energy consumption per cycle in fan-forced convection mode (kWh)	-	-	-	-
Number of cavities	1	1	1	1
Heat source	Eléctrica	Eléctrica	Eléctrica	Eléctrica
Volume (l)	40	44	44	38

**DIMENSIONS**

External, mm	455x595x 559	455x595x 559	455x595x 559	455x595x472
Inner cavity, mm	232x475x365	232x475x405	232x475x405	210x420x390

**CLEANING SYSTEMS**

DualClean	-	-	-	-
Pyrolytic	-	-	-	-
HydroClean®	ECO	-	-	-
Esmalte	Slippery	Slippery	Slippery	-

**FEATURES**

Type	Combi MF Turbo + Microwave	Microwave + grill	Microwave + grill	Microwave + grill
Stainless steel (fingerprint proof)	•/Black	•/Black	•	Beige / Bright cream - Brass
Cooking functions	11	3	3	3
Temperature regulator	50-250°	-	-	-
Touch Control	• / LED display	• / LED display	Minute minder	Minute minder
LED ring illuminated knobs	-	-	-	-
SoftClose	-	-	-	-
Recipes	-	-	-	-
Meat probe	-	-	-	-
SlowCook: low temperature cooking	-	-	-	-
Tangential ventilation	•	•	•	•
Express quick heating	-	-	-	-
Telescopic guides	-	-	-	-
Drop-down grill	-	-	-	•
Light	25W	25W	25W	20W

**SAFETY SYSTEMS**

Glazed door	3	2	2	3
Automatic disconnection security system	•	•	•	•
Children safety block, timer and door	•	-	-	-
Grill protection	•	•	•	-
Anti-tip tray system	•	•	•	-

**ACCESORIES**

MultiCook / cast aluminium tray	-	-	-	-
Anti-tip baking / deep tray (50 mm)	glass	-	-	-
Anti-tip reinforced / cooking grid	•	•	•	2 round grip with feet, browning plate and turntable

**POWER CONSUMPTION**

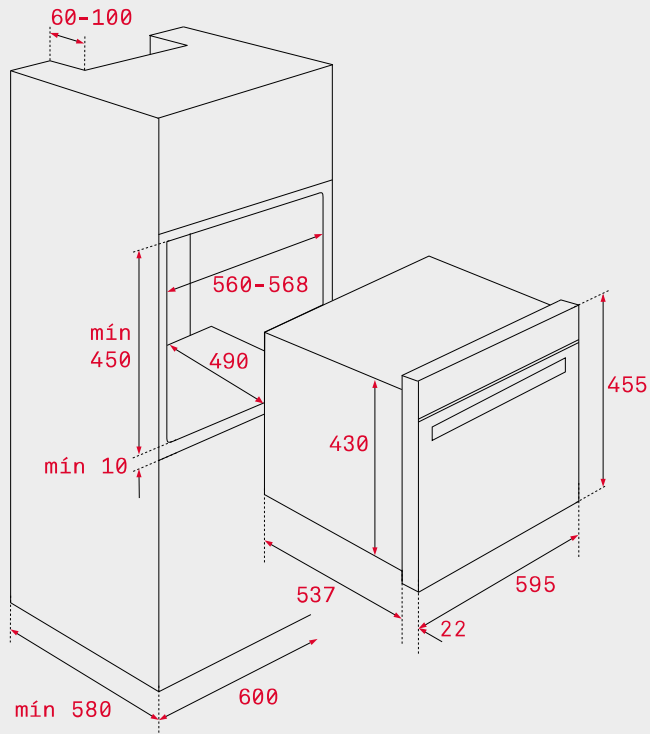
Turbo, W	1,600	-	-	-
Grill / Maxi grill, W	-/2500	1,400	1,400	1,500
Traditional, W	2,100	-	-	-
Multifunction motor, W	30	-	-	-
Bottom heat, W	-	-	-	-
Cooling fan motor, W	18	18	18	35
Mwo power, W	1000	1000	1000	1000

**ELECTRICAL FEATURES**

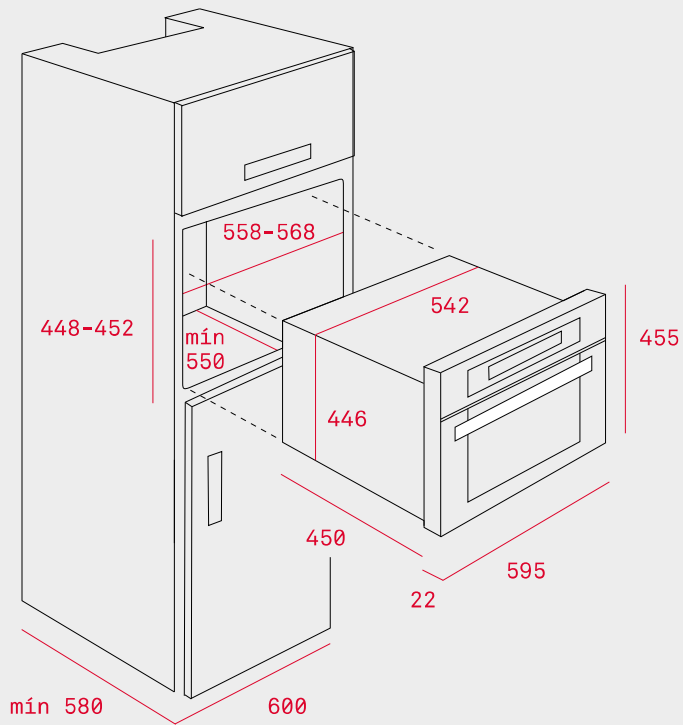
Voltage, V	220-240	220-240	220-240	220-240
Frequency, HZ	50	50	50	50
Maximum connection rating, W	3,400	3,200	3,200	3,300
Cable connection length, cm	110	110	110	150

1) In a scale embracing from A (more efficient) to G (less efficient), Commission directive 2002/40/EC. According to Norm EN50304: 2014 update 65/2014. Models that are steam only or including microwave not subject to legislation. Subject to change without notice.

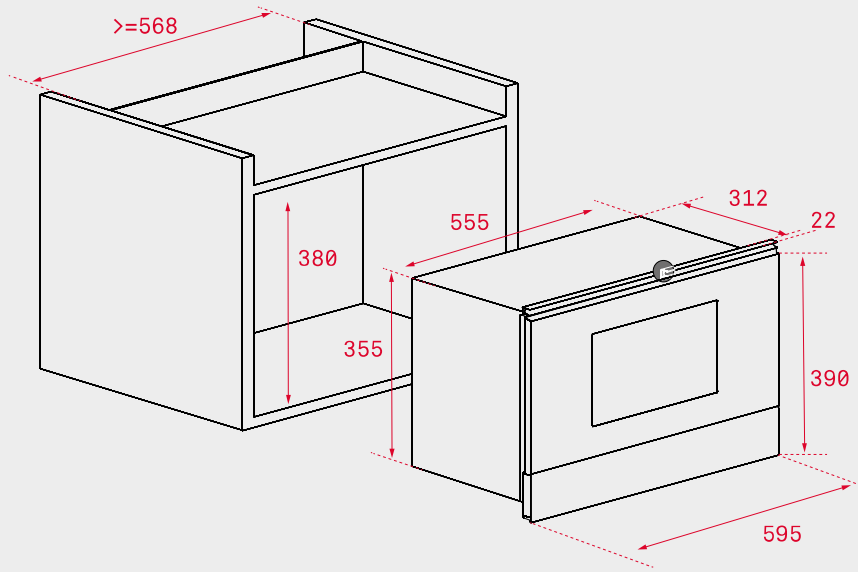
MODEL	ML 822 BIS L	ML 820 BIS	MS 622 BIS L	MS 622 BI	MS 620 BIS	MB 620 BI
Type	Microwave + Grill	Microwave + Grill	Microwave + Grill	Microwave	Microwave + Grill	Microwave
Volume, l	22	20	22	22	20	20
<b>DIMENSIONS</b>						
Height, mm	390	390	390	390	390	390
Width, mm	595	595	595	595	595	595
Depth, mm	334	325	334	334	325	325
Inner height, mm	280	210	280	280	210	210
Inner width, mm	350	305	350	350	305	305
Inner depth, mm	220	280	220	220	280	280
<b>FEATURES</b>						
Stainless steel (fingerprint proof)	• / Black	• / Black	•	•	•	• / White
Control	Electronic Control panel with LED display	Touch Control panel with TFT white display	Touch Control panel with LED display	Electromechanical controls	Touch Control panel with TFT white display	Electromechanical controls
Electronic door opening	•	-	•	•	-	-
Cooking functions	3	3	3	1	3	1
Grill	Grill	Grill (Quartz)	Grill	-	Grill (Quartz)	-
Microwave	Microwave	Microwave	Microwave	Microwave	Microwave	Microwave
Microwave+Grill	Microwave+Grill	Microwave+Grill	Microwave+Grill	-	Microwave+Grill	-
Microwave power levels	5	5	5	5	5	5
Direct access menu	9	3	2	-	3	-
Memories	-	1	-	-	1	-
Defrosting by weight	•	•	•	-	•	-
Defrosting by time	•	•	•	•	•	•
Quick start	+30"	+30"	+30"	-	+30"	-
Minute minder	0-90'	0-90'	0-90'	0-60'	0-90'	0-60'
Drop-down grill	•	-	•	-	-	-
Stainless steel cavity	•	•	•	•	•	•
Ceramic base	•	-	•	•	-	-
Turntable	-	24 cm	-	-	24 cm	24 cm
Tangential ventilation	•	-	•	•	-	-
Door opening	Left	Left	Left	Left	Left	Left
<b>SAFETY SYSTEMS</b>						
Glazed door	Double	Double	Double	Double	Double	Double
Automatic disconnection security system	•	•	•	•	•	•
Children safety block, timer and door	•	•	•	-	•	-
Grill protection	•	-	•	-	-	-
Safety thermostat	•	•	•	•	•	•
<b>ACCESORIES</b>						
Grid with feet	1	1 Round	1	-	1 Round	-
Browning plate	•	-	-	-	-	-
<b>POWER CONSUMPTION</b>						
Grill / Maxi grill, W	1200	1000	1200	-	1000	-
Microwave power	850	700	850	850	700	700
<b>ELECTRICAL FEATURES</b>						
Voltage, V	220-240	220 - 240	220-240	220-240	220 - 240	220 - 240
Frequency, HZ	50	50	50	50	50	50
Maximum connection rating, W	2500	1100	2500	1400	1100	1100
Cable connection lenght, cm	110cm + schuko	110cm + schuko	110cm + schuko	110cm + schuko	110cm + schuko	110cm + schuko



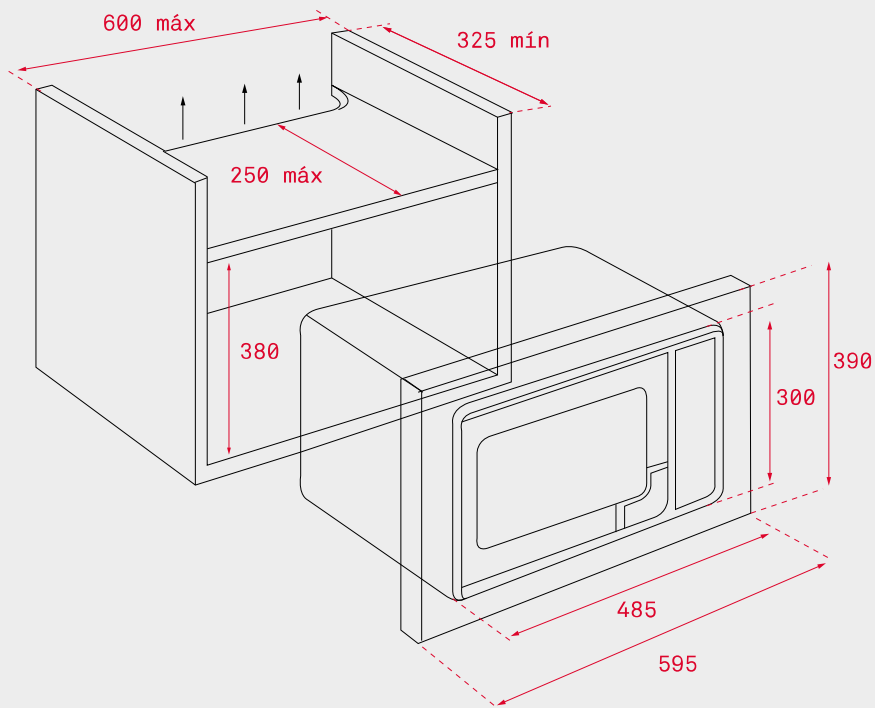
HLC 844 C  
MLC 844  
MSC 642



MWR 32 BIA BB



ML 822 BIS  
 MS 622 BIS  
 MS 622 BI



ML 820 BIS  
 MS 620 BIS  
 MB 620 BI