



TKS 850 C Condenser dryer with drying capacity of 8 Kg



Washing
capacity: 8Kg



Quick Cycle



Hand Wash

DESCRIPTION

Condenser dryer with drying capacity of 8 Kg

LIFE STYLE

Maestro

COLOURS



REFERENCE

REF. 40854101
EAN. 8421152132081

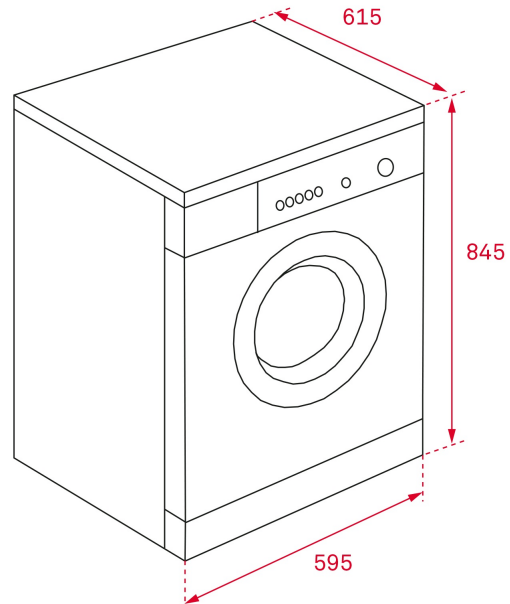


TEKA

TKS 850 C

FEATURES

Free standing dryer
Condenser dryer
16 programs
Drying capacity: 8 Kg
Electronic control panel with display
Delay timer 1-24h
4 Power levels
End of cycle alarm
Speed dry function
Humidity sensor
Anti-crease program
Delicate clothing program
Cooling program
Bi- direction rotation
Remaining time indicator
Removable filter with saturation
LED indicators for: on/off, filter saturation and full tank Inner light
Energy class: B

TEKA**TKS 850 C**

DIMENSIONS

Product height (mm): 845
Product width (mm): 595
Product depth (mm): 615
Product length (mm):
Net weight (Kg): 42

TECH SPECS

PRODUCT SHEET

Type of load: Front
Type of installation: Free standing
Drying capacity (Kgs): 8
Energy Efficiency Class: B
Condensation efficiency: B
Energy consumption per drying cycle (Full load) (kWh): 4.74
Energy consumption (kWh/year): 561
Duration of drying cycle (Full load) (minutes): 140
Automatic (sensor drying): Yes

POWER SUPPLY

Frequency (Hz): 50
Power rate (V): 220-240
Maximum Nominal Power (W): 2700
Nominal power motor (W): 200
Power of heating element (W): 2500

PARTICULAR CHARACTERISTICS

Glass door diameter (cms): 50
Number of programs: 16
Electronic washing management: Yes

CONTROL INDICATOR LIGHTS

Child lock: Yes
Bidirectional rotation: Yes
Drum light: Yes
Drum: Galvanized

SPECIAL FUNCTIONS

Remaining time: Yes
Drying: Yes
Dryer timer: Yes
Full water tank indicator: Yes

EQUIPMENT

Fast program: Yes
Economic program: Yes
Delayed Timer (h): 1-24

Adjustable Feet Back: Yes
Adjustable feet front: Yes



TKS 850 C

ENERGY LABEL

The energy label for the TEKA TKS 850 C washing machine is a vertical rectangular sticker. At the top left is the European Union flag. To its right is the word "ENERG" in large letters, with "енергия" (energy) in Cyrillic and "ENERGIE" in German below it. Further right are two small circular icons: one with "Y U/A" and another with "IE I/A". Below this header is the TEKA logo and the model number "TKS 850 C". The main part of the label features a color-coded energy efficiency scale from A+++ (dark green) at the top to D (red) at the bottom. A black arrow points to the "B" rating. Below the scale, the energy consumption is listed as "561 kWh/annum" in a white box. Underneath are four icons representing different specifications: a washing machine icon with "140 min/cycle*", a clock icon with "8,0 kg", a t-shirt icon with "69 dB", and a speaker icon with "69 dB". At the bottom left is a small icon of a washing machine with "ABCDEF" below it. At the bottom right is a small asterisked note in multiple languages: "*сушка - ciklus - postion - ryklus / podpraze - ciklo - tsukket / ohjelmä - ciklus - ciklus - cikls / siklus - cyklus - cykl - ciclo / program - tarkomping". The number "392/2012" is printed at the very bottom left.