



# ML 8220 BIS L Urban Colors Edition Built-in Microwave with ceramic base



Defrost By  
Time



Direct Access  
Menu



Defrost By  
Weight



22L



Ceramic base



Electronic Door  
Opening

### DESCRIPTION

Urban Colors Edition Built-in Microwave with ceramic base

### LIFE STYLE

Maestro

### COLOURS



### REFERENCE

REF. 112030002  
EAN. 8434778007695

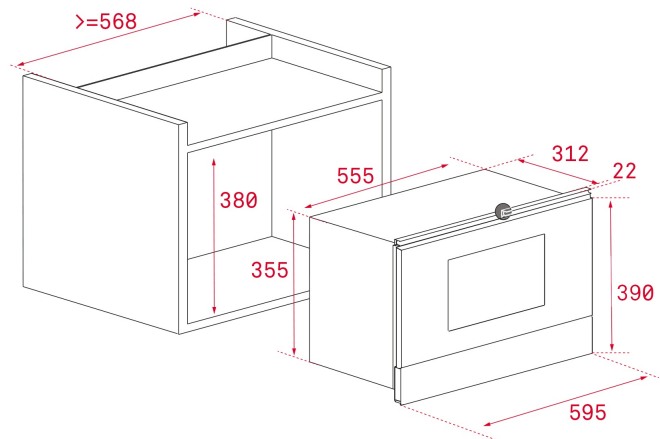


**TEKA**

**ML 8220 BIS L**

**FEATURES**

Urban Colors Edition  
Ceramic base microwave + grill  
Electronic glass control panel with digital clock  
Dropdown grill, 1.200W  
5 power levels, 850 W out  
Stainless steel cavity  
Ceramic base with uniform heating  
Forced tangential ventilation  
Program selector and electronic functions  
Quick start 30''  
Defrost (5 programs)  
9 direct access menus  
Browning plate and reinforced grill grid



## DIMENSIONS

**Product height (mm):** 390  
**Product width (mm):** 595  
**Product depth (mm):** 334  
**Product length (mm):**  
**Net weight (Kg):** 22

## TECH SPECS

### PARTICULAR CHARACTERISTICS

**Certificates:** CE/CB/Gmark  
**Type of inner light:** INCANDESCENT  
**Inside light position:** RIGHT  
**Number of cooking functions:** 3  
**Grill function:** Yes  
**Drop-down grill:** Yes  
**Number of guide levels (lower cavity):** 0  
**Forced refrigeration tangential 1 speed:** Yes  
**Microwave function:** Yes  
**Number of power levels:** 5  
**Minute Quick Start:** Yes  
**Tangential ventilation:** Yes

### ELECTRIC CONNECTION

**Maximum Nominal Power (W):** 2500  
**Frequency (Hz):** 50  
**Power rate (V):** 220-240  
**Cable Connection Length (cm):** 110  
**Plug:** Yes  
**Inside light Consumption (W):** 20

**ENERGY CONSUMPTION**

**Grill (W):** 1200

**Maxi Grill (W):** 1200

**Cooling Fan Motor (W):** 18

**SECURITY SYSTEM**

**Automatic disconnection when opening the door:** Yes

**Panel blocking system:** Yes

**Grill protection:** Yes

**Safety Thermostat:** Yes

**ACCESSORIES**

**Crunch plate:** YES

