



HLB 8600 WH A+ Multifunction Oven with 20 recipes



HydroClean



SurroundTemp



70L



Plus Extension
Telescopic
Guide



SoftClose

DESCRIPTION

A+ Multifunction Oven with 20 recipes

LIFE STYLE

Maestro

COLOURS



REFERENCE

REF. 111000012
EAN. 8434778008289

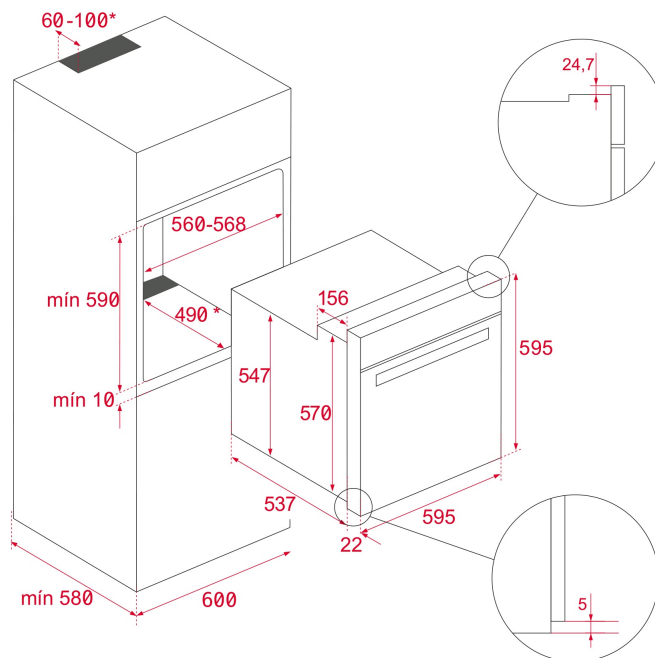


TEKA

HLB 8600 WH

FEATURES

Urban color Edition
Multifunction SurroundTemp
12 Cooking functions
Automatic HydroClean system
Touch control display
Digital Timer
Personal cooking assistant: 20 programmed international recipes
Chrome supports with 5 cooking levels
1 Plus Extension telescopic guide
Triple glazed door
SoftClose system
Automatic disconnection security system
Children safety lock
Automatic quick preheating
Anti-tip deep tray and reinforced grid
Tangential ventilation
Gross/net capacity: 71/70 litres



DIMENSIONS

Product height (mm): 595

Product width (mm): 595

Product depth (mm): 537+22

Product length (mm):

Net weight (Kg): 32

TECH SPECS

PARTICULAR CHARACTERISTICS

Certificates: N / CE / CCA / CB/GMARK/ JAS-ANZ/SASO

Number of cavities: 1

Type of inner light: Halogen

Inside light position: RIGHT TOP CORNER

Enamelled cavity: Yes

Function selector: ELECTRONIC

Number of cooking functions: 12

Number of recipes: 20

Grill function: Yes

MaxiGrill function: Yes

Bottom function: Yes

Turbo function: Yes

ECO function: Yes

Ferment function: Yes

Automatic quick heating: Yes

Slow Cook: Yes

Knobs type: MMX FIX ROTATIVE

Removable chromed tray guides: Yes

Number of guide levels: 5

Easy slide telescopic guides: Yes

Drop-down grill: Yes

Forced refrigeration tangential 1 speed: Yes

SoftClose: Yes

ELECTRIC CONNECTION

Maximum Nominal Power (W): 3215

Frequency (Hz): 50/60

Power rate (V): 220-240

Cable Connection Length (cm): 150

Plug: Yes

Inside light Consumption (W): 25

ENERGY CONSUMPTION

Energy consumption per cycle in conventional mode (kWh):
0.83

Energy consumption per cycle in fan-forced convection mode (kWh): 0,68

Bottom Heating Element (W): 1150

Grill (W): 1400

Maxi Grill (W): 2500

Traditional (W): 2550

Turbo (W): 2000

Multifunction Turbo (W): 22

Cooling Fan Motor (W): 18

SECURITY SYSTEM

Automatic disconnection when opening the door: Yes

Panel blocking system: Yes

Children safety block option: Yes

Grill protection: Yes

Anti-tip tray system: Yes

Safety Thermostat: Yes

CLEANING SYSTEM

Crystal Clean Enamel (Slippery): Yes

Hydroclean PRO: Yes

ACCESSORIES

Deep Tray (50 mm): 1

Steak tray: 0

Reinforced grid: 1

ENERGY EFFICIENCY

Energy Efficiency Class: A+

Energy Efficiency Index (EEI): 81

PRODUCT INFORMATION SHEET - DELEGATED REGULATION (EU) 65/2014

Supplier name or trademark: TEKA

Model identifier: HLB 8600 WH E01

Number of cavities: 1

Cavity 1

Energy Efficiency Index: 81

Energy Efficiency Class: A+

Energy consumption per cycle (conventional mode): 0.83

Energy consumption per cycle (fan-forced convection mode):
0,68

Heat source : Electric

Volume: 71



HLB 8600 WH

ENERGY LABEL

ENERGY LABEL

TEKA HLB 8600

A+++
A++
A+
A
B
C
D

A+

70L

0.83 kWh/cycle*

0.68 kWh/cycle*

* Unveň - cyklus - porton - zvlášť program - dno - horko - chlazení - ciklus - ciklus - ciklus - cyklus - cykl - dno - program - cykl

65/2014