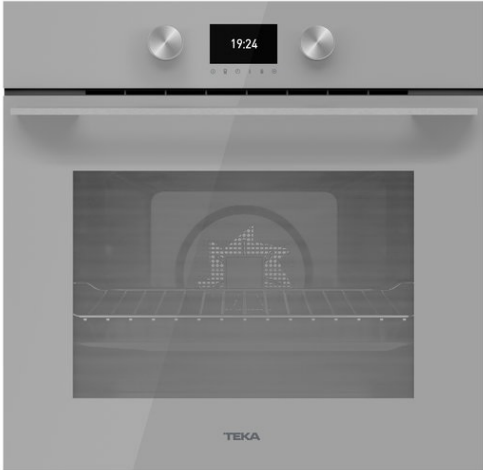




# HLB 8600 SM A+ Multifunction Oven with 20 recipes



HydroClean



SurroundTemp



70L



Plus Extension  
Telescopic  
Guide



SoftClose

## DESCRIPTION

A+ Multifunction Oven with 20 recipes

## LIFE STYLE

Maestro

## COLOURS



## REFERENCE

REF. 111000013  
EAN. 8434778008296

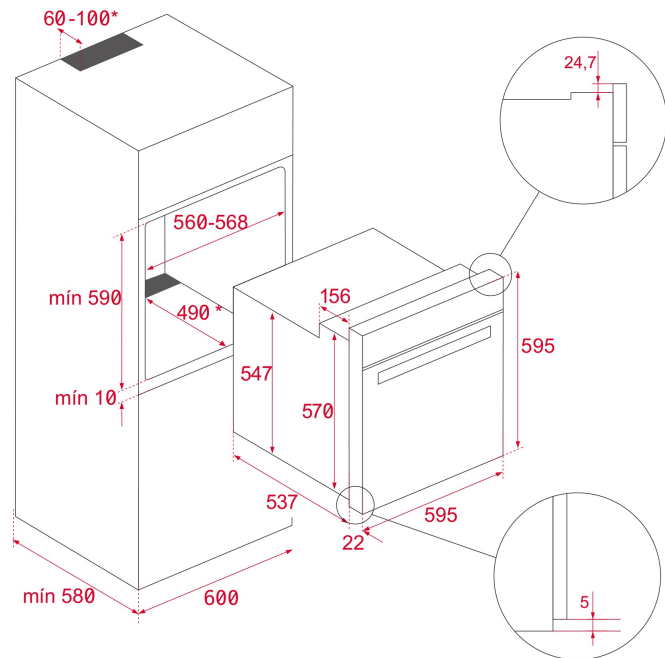


TEKA

HLB 8600 SM

## FEATURES

Urban color Edition  
Multifunction SurroundTemp  
12 Cooking functions  
Automatic HydroClean system  
Touch control display  
Digital Timer  
Personal cooking assistant: 20 programmed international recipes  
Chrome supports with 5 cooking levels  
1 Plus Extension telescopic guide  
Triple glazed door  
SoftClose system  
Automatic disconnection security system  
Children safety lock  
Automatic quick preheating  
Anti-tip deep tray and reinforced grid  
Tangential ventilation  
Gross/net capacity: 71/70 litres



## DIMENSIONS

**Product height (mm):** 595

**Product width (mm):** 595

**Product depth (mm):** 537+22

**Product length (mm):**

**Net weight (Kg):** 32

## TECH SPECS

### FEATURES

**Certificates:** N / CE / CCA / CB/GMARK/ JAS-ANZ/SASO

**Number of cavities:** 1

**Type of inner light:** Halogen

**Inside light position:** RIGHT TOP CORNER

**Enamelled cavity:** Yes

**Min. Temperature Regulator (°C):** 30

**Max. Temperature Regulator (°C):** 270

**Function selector:** ELECTRONIC

**Number of cooking functions:** 12

**Number of recipes:** 20

**Top + Bottom function:** Yes

**Grill + Bottom function:** Yes

**Grill function:** Yes

**MaxiGrill function:** Yes

**Top + Bottom + Fan function:** Yes

**Bottom function:** Yes

**Bottom + TURBO (Pizza) function:** Yes

**Turbo function:** Yes

**ECO function:** Yes

**Ferment function:** Yes

**Automatic quick heating:** Yes

**Slow Cook:** Yes

**Knobs type:** MMX FIX ROTATIVE  
**Removable chromed tray guides:** Yes  
**Number of guide levels:** 5  
**Easy slide telescopic guides:** Yes  
**Drop-down grill:** Yes  
**Forced refrigeration tangential 1 speed:** Yes  
**SoftClose:** Yes

## **ELECTRIC CONNECTION**

**Maximum Nominal Power (W):** 3215  
**Frequency (Hz):** 50/60  
**Power rate (V):** 220-240  
**Cable Connection Length (cm):** 150  
**Plug:** Yes  
**Inside light Consumption (W):** 25

## **ENERGY CONSUMPTION**

**Energy consumption per cycle in conventional mode (kWh):**  
0.83  
**Energy consumption per cycle in fan-forced convection mode (kWh):** 0,68  
**Bottom Heating Element (W):** 1150  
**Grill (W):** 1400  
**Maxi Grill (W):** 2500  
**Traditional (W):** 2550  
**Turbo (W):** 2000  
**Multifunction Turbo (W):** 22  
**Cooling Fan Motor (W):** 18

## **SAFETY SYSTEMS**

**Automatic disconnection when opening the door:** Yes  
**Panel blocking system:** Yes  
**Children safety block option:** Yes  
**Grill protection:** Yes  
**Anti-tip tray system:** Yes  
**Safety Thermostat:** Yes

## **CLEANING SYSTEM**

**Crystal Clean Enamel (Slippery):** Yes  
**Hydroclean PRO:** Yes

## **ACCESSORIES**

**Deep Tray (50 mm):** 1  
**Steak tray:** 0  
**Reinforced grid:** 1

## **ENERGY EFFICIENCY**

**Energy Efficiency Class:** A+  
**Energy Efficiency Index (EEI):** 81

