



DLV 98660 TOS Vertical decorative hood with Fresh air function in 90cm



Fresh AIR



LED



Stop Delay
Timer



Perimeter
extraction

DESCRIPTION

Vertical decorative hood with Fresh air function in 90cm

LIFE STYLE

Maestro

COLOURS



REFERENCE

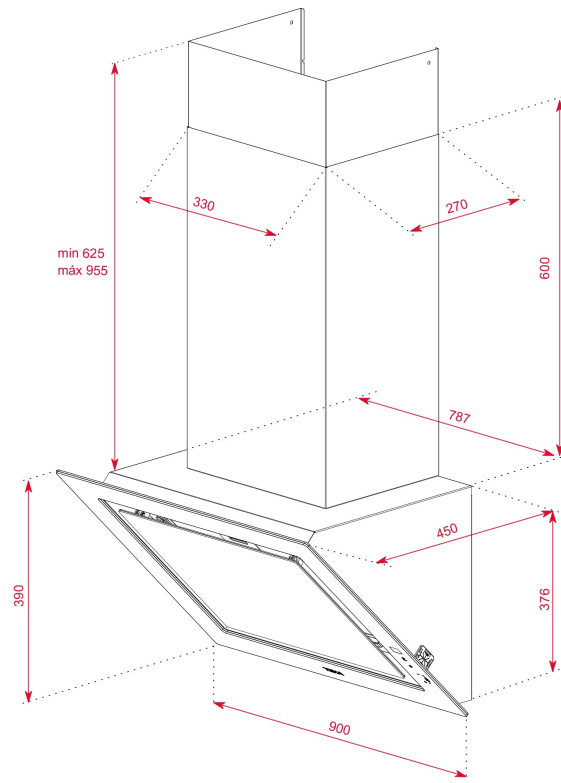
REF. 112930033
EAN. 8434778011975

FEATURES

Urban Colors Edition
Vertical decorative hood
Rim extraction system
Touch control display
FreshAir function
Full glass design
3 speeds + intensive
Stop delay timer
LED light bar
Saturation filter indicator
EcoPower motor
Exhausts capacity: min.290 m³/h – max.696 m³/h
Sound level: min.51 dB – max.67 dB
Recirculation function with or without tube cover
Optional regenerative charcoal filters
Installation also possible without tube cover

DIMENSIONS

Product height (mm): 1001-1331
Product width (mm): 900
Product depth (mm): 450
Product length (mm):
Net weight (Kg): 20,27



TECH SPECS

PARTICULAR CHARACTERISTICS

Type of hood: Vertical
Style: Decoratives
Ø Outlet (mm): 150
Removable oil collector: Yes
Type of inner light: LED BAR
Inside light Consumption (W): 7,5
Plug type: Schuko plug
Cable Connection Length (cm): 100
Power rate (V): 220240
Frequency (Hz): 50/60
Total hood power (W): 272,5
Number of motors: 1
Motor power (W): 265

**EU REGULATION NO. 65/2014
&66/2104**

Annual energy consumption AEC kWh/annum (kWh): 43,1
Energy Efficiency Class: A+
Fluid Dynamic Efficiency (FDEhood): 35
Fluid Dynamic Efficiency class: A
Light Efficiency (Lehood) lux/Watt: 36
Lighting Efficiency class: A

Grease Filtering Efficiency class: C
Air flow (Qmin) m3/h: 290
Air flow (Qmax): 558
Air flow (Qboost): 696
Noise (LwA) Min Speed (dB): 51
Noise (LwA) Max Speed (dB): 67
Noise (LwA) boost speed (dB): 70
Off mode Power (Po) W: 0,32
Energy Efficiency Index (EEI): 42,9
Time increase factor: 0,7
Electric power input at best efficiency point (Wbep) W: 147
Nominal power of the lighting system (WL) W: 7,5
Average illumination of the lighting system on the cooking surface (Emiddle) Lux: 269

ACCESSORIES

Anti Return valve: Yes
Outlet reduction: Yes
Optional Charcoal Filter: C1RTK
Charcoal filter description: Conventional charcoal filter
Conventional recirculation kit (with tube cover): 113290018
Regenerative recirculation kit (with tube cover): 113290010
Conventional recirculation kit (without tube cover): 113290016
Regenerative recirculation kit (without tube cover): 113290012

MODELS

Number of filters: 2
Filter description: Aluminum filters
Opening system: Piston
Control panel: Touch control white display
Stop delay timer: Yes
Filter saturation indicator: Yes
Time clock: Yes
Number of speeds: 3 + 1
Fresh air function: Yes

PRODUCT INFORMATION SHEET - DELEGATED REGULATION (EU) 65/2014

Supplier name or trademark: TEKA
Model identifier: DLV 98660 TOS
Annual Energy Consumption: 43,1
Energy Efficiency Class: A+
Fluid Dynamic Efficiency: 35
Fluid Dynamic Efficiency class: A
Lighting Efficiency: 36
Lighting Efficiency class: A
Grease Filtering Efficiency class: C
Air flow (min speed normal use): 290
Air flow (max speed normal use): 558
Air flow (intensive or boost use): 696
Airborne acoustical A-weighted sound power emissions (min speed normal use): 51.4
Airborne acoustical A-weighted sound power emissions (max speed normal use): 66.5
Airborne acoustical A-weighted sound power emissions (intensive or boost use): 69.9
Power consumption in off mode (W): 0,32



DLV 98660 TOS

ENERGY LABEL

