



RTF 15810 A+ Free Standing Combi Refrigerator with reversible doors



LED



Easy 90



LongLife No Frost



Vitacare Box



Zero Box

DESCRIPTION

A+ Free Standing Combi Refrigerator with reversible doors

LIFE STYLE

Maestro

COLOURS



REFERENCE

REF. 113370001
EAN. 8434778015249

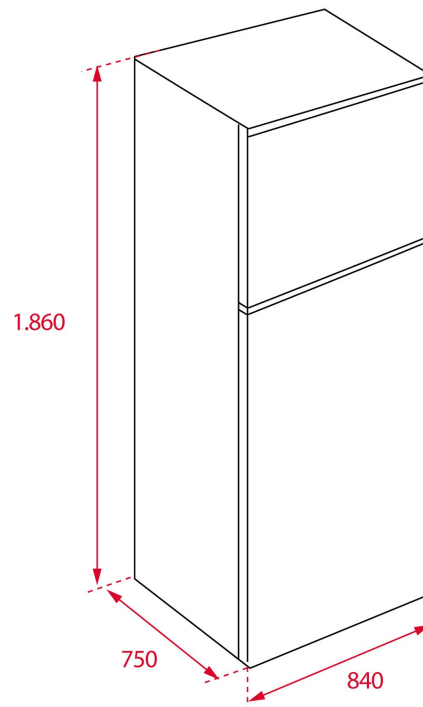


TEKA

RTF 15810

FEATURES

Free standing refrigerator
Full No Frost
Electronic control panel
Zero Box drawer
VitaCare Box drawer with humidity regulator
3 safety glass shelves with adjustable height
LED illumination
Adjustable front feet
Stainless steel reversible doors
Energy class: A+
Climate class: SN/T
Total gross capacity : 625 litres
Net capacity (fridge): 435 litres
Net capacity (chiller): 34 litres
Net capacity (freezer): 140 litres



DIMENSIONS

Product height (mm): 1860
Product width (mm): 840
Product depth (mm): 750
Product length (mm):
Net weight (Kg): 114

TECH SPECS

FITTING MEASURES

Built-in Width (mm): 0
Built-in Depth (mm): 0
Built-in height (mm): 0

PRODUCT SHEET

Cooling system: LongLife No Frost
No Frost In Refrigerator Compartment: Yes
No Frost in chiller: Yes
No Frost in freezer compartment: Yes
Total gross capacity (litres): 625
Refrigerator compartment capacity (litres): 435
Chilling Compartment Capacity (litres): 34
Freezer compartment capacity (litres): 140
Freezer classification: 4
Freezing capacity: 10,0
Temperature Rise Time (h): 17
Climate class: SN/T
Noise level (dB): 44
Certificates: CE, TUV, GS, GMARK

POWER SUPPLY

Frequency (Hz): 50
Power rate (V): 220-240
Power rate (W): 193
Defrost element power (W): 220
Energy consumption (kw/day): 1,265
Plug type: UK
Cable Connection Length (cm): 250
Inside light Consumption (W): 2

PARTICULAR CHARACTERISTICS

Type of installation: Free standing
Automatic defrosting in the refrigeration compartment: Yes
Automatic defrosting in the freezer compartment: Yes
Electronic control: Yes
Control panel: ELECTRONIC
Electronic adjustable thermostat: Yes
Fingerprint proof door: Yes
Antibacterial treatment: NO
Cooling set button: Yes
Fast freezing: Yes
Fast Cooling Function: Yes
Inner light: Yes
Type of inner light: SIDE LED
Reversible doors: Yes
Integrated handle: Yes

EQUIPMENT

Chromed bottle rack: NO
Antibacterial gasket: Yes
Multipurpose compartment: NO
Fast freezing zone: Yes
Twister ice maker: Yes
Ice cubes tray: 1
Bottle rack type: NO
Adjustable feet front: Yes
Roller (rear): Yes
Roller (front): Yes
Number of shelves: 3
Refrigerator adjustable shelves: Yes
Vegetable drawers: 1
Temperature and humidity regulation in drawers: VitaCare Box

PRODUCT INFORMATION SHEET (UE) 2019/2016

Supplier name or trademark: TEKA
Supplier's address: C/Cajo, 17, 39011, Santander , Spain
Model identifier: RTF 15810

Type of refrigerating appliance

Overall dimensions (mm)

Height: 1860
Width: 840
Depth: 750
Climate class: SN/T

Light source parameters

Minimum duration of the guarantee offered by the manufacturer (b): 24

Light source parameters

Minimum duration of the guarantee offered by the manufacturer (Years) (b): 24

Additional information:

Weblink to the manufacturer's website, where the information in point 4(a) Annex of Commission Regulation (EU) 2019/2019 (1) (b) is found: www.teka.com

(a) as determined in accordance with Commission Delegated Regulation (EU) 2019/2015 (2).

(b) changes to these items shall not be considered relevant for the purposes of point 4 of Article 4 of Regulation (EU) 2017/1369.

(c) if the product database automatically generates the definitive content of this cell the supplier shall not enter these data.

(1) Commission Regulation (EU) 2019/2019 of 1 October 2019 laying down ecodesign requirements for refrigerating appliances pursuant to Directive 2009/125/EC of the European Parliament and of the Council and repealing Commission Regulation (EC) No 643/2009 (see page 187 of this Official Journal).(2)

(2) Commission Delegated Regulation (EU) 2019/2015 of 11 March 2019 supplementing Regulation (EU) 2017/1369 of the European Parliament and of the Council with regard to energy labelling of light sources and repealing Commission Delegated Regulation (EU) No 874/2012 (see page 68 of this Official Journal).

