



# TKI3 145 D A+ Built-in Refrigerator in 82cm



LED

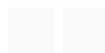
## DESCRIPTION

A+ Built-in Refrigerator in 82cm

## LIFE STYLE

Total

## COLOURS



## REFERENCE

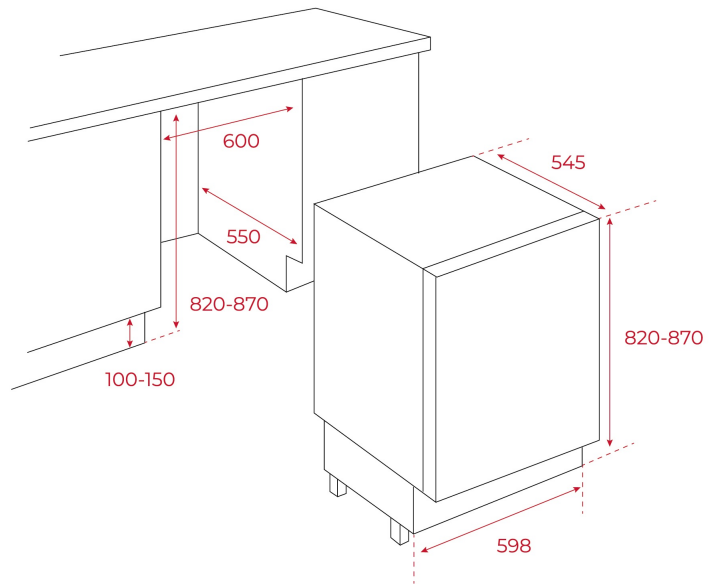
REF. 113460003  
EAN. 8434778015317



## TKI3 145 D

### FEATURES

Built-in fridge  
Mechanical control panel  
Manual defrost  
Safety glass shelves  
Door on door installation  
Reversible door  
Energy Class: A++  
Climate Class: SN-T  
Total gross capacity: 130 litres  
Net capacity: 128 litres



## DIMENSIONS

**Product height (mm):** 820  
**Product width (mm):** 598  
**Product depth (mm):** 545  
**Product length (mm):**  
**Net weight (Kg):** 30

## TECH SPECS

### FITTING MEASURES

**Built-in niche (cm):** 82

### PRODUCT SHEET

**Cooling system:** Defrost  
**Total gross capacity (litres):** 130  
**Refrigerator compartment capacity (litres):** 128  
**Climate class:** SN/T  
**Noise level (dB):** 40

### POWER SUPPLY

**Frequency (Hz):** 50  
**Power rate (V):** 230  
**Power rate (W):** 50  
**Energy consumption (kw/day):** 0,252

### PARTICULAR CHARACTERISTICS

**Type of installation:** Built-in  
**Automatic defrosting in the refrigeration compartment:** Yes  
**Antibacterial treatment:** NO  
**Cooling set button:** Yes

## EQUIPMENT

**Inner light:** Yes  
**Type of inner light:** LED  
**Reversible doors:** Yes

**Antibacterial gasket:** Yes  
**Multipurpose compartment:** NO  
**Bottle rack type:** NO  
**Adjustable feet front:** Yes  
**Refrigerator adjustable shelves:** Yes  
**Vegetable drawers:** 0

## PRODUCT INFORMATION SHEET (UE) 2019/2016

**Supplier name or trademark:** TEKA  
**Supplier's address:** C/Cajo, 17, 39011, Santander , Spain  
**Model identifier:** TKI3 145 D

### Type of refrigerating appliance

### Overall dimensions (mm)

**Height:** 820  
**Width:** 598  
**Depth:** 545  
**Climate class:** SN/T

### Light source parameters

**Minimum duration of the guarantee offered by the manufacturer (b):** 24

### Light source parameters

**Minimum duration of the guarantee offered by the manufacturer (Years) (b):** 24

### Additional information:

Weblink to the manufacturer's website, where the information in point 4(a) Annex of Commission Regulation (EU) 2019/2019 (1) (b) is found: [www.teka.com](http://www.teka.com)

(a) as determined in accordance with Commission Delegated Regulation (EU) 2019/2015 (2).

(b) changes to these items shall not be considered relevant for the purposes of point 4 of Article 4 of Regulation (EU) 2017/1369.

(c) if the product database automatically generates the definitive content of this cell the supplier shall not enter these data.

(1) Commission Regulation (EU) 2019/2019 of 1 October 2019 laying down ecodesign requirements for refrigerating appliances pursuant to Directive 2009/125/EC of the European Parliament and of the Council and repealing Commission Regulation (EC) No 643/2009 (see page 187 of this Official Journal).(2)

(2) Commission Delegated Regulation (EU) 2019/2015 of 11 March 2019 supplementing Regulation (EU) 2017/1369 of the European Parliament and of the Council with regard to energy labelling of light sources and repealing Commission Delegated Regulation (EU) No 874/2012 (see page 68 of this Official Journal).



TKI3 145 D

ENERGY LABEL

The energy label for the TEKA TKI3 145 D model includes the following information:

- Energy Class:** A++ (indicated by a black arrow pointing to the A++ bar on the scale)
- Energy Consumption:** 92 kWh/annum
- Capacity:** 128 L
- Noise Level:** 40 dB
- Standards:** 2010/1060
- Language Codes:** Y UA, IE IA