



# TK4 1070 WHITE 7kg A+++ Free Standing Washing Machine



Quick Cycle



Washing  
capacity: 7Kg

## DESCRIPTION

7kg A+++ Free Standing Washing Machine

## LIFE STYLE

Total

## COLOURS



## REFERENCE

REF. 40874202  
EAN. 8421152131855



**TEKA**

**TK4 1070 WHITE**

**FEATURES**

Free standing washing machine

Washing capacity: 7 Kg

16 washing programs

Maximum spin speed: 1000 rpm

Electronic control panel with display

Special Program baby care

Fast program 15 minutes

Delay timer 1-24h

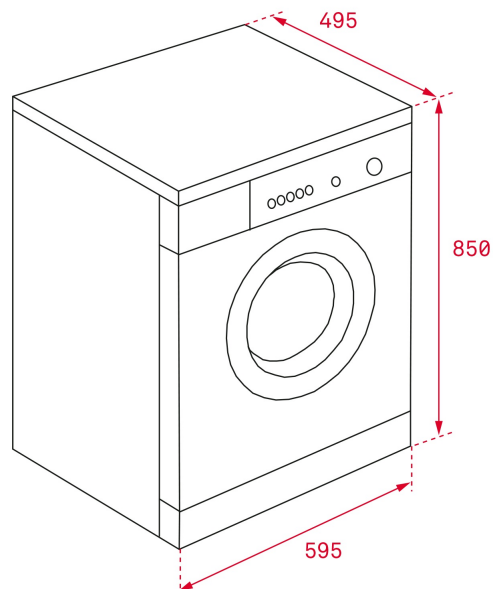
Balance control system

Locking system in case of lack of water or electricity Foam control

system

30 cm wide porthole

Energy class: A+++/C

**TEKA****TK4 1070 WHITE**

## DIMENSIONS

**Product height (mm):** 850  
**Product width (mm):** 595  
**Product depth (mm):** 495  
**Product length (mm):**  
**Net weight (Kg):** 61

## TECH SPECS

### PRODUCT SHEET

**Type of load:** Front  
**Type of installation:** Free standing  
**Washing capacity (Kgs):** 7  
**Energy consumption (kWh/year):** 175  
**Water consumption (litres/year):** 10000  
**Maximum spinning speed (RPM):** 1000  
**Certificates:** CE + Reach + ERP

### POWER SUPPLY

**Frequency (Hz):** 50  
**Power rate (V):** 220-240  
**Maximum Nominal Power (W):** 2050  
**Nominal power motor (W):** 450  
**Power of heating element (W):** 1800

### PARTICULAR CHARACTERISTICS

**Stainless Steel Drum:** Yes  
**Glass door diameter (cms):** 30  
**Number of programs:** 16  
**Number Of Washing Temperatures:** 6  
**Control panel:** ELECTRONIC

## CONTROL INDICATOR LIGHTS

## SPECIAL FUNCTIONS

## EQUIPMENT

## PRODUCT INFORMATION SHEET (UE) 2019/2014

## TECHNICAL DOCUMENTATION (UE) 2019/2014

**Electronic washing management:** Yes

**Child lock:** Yes

**Auto lock door:** Yes

**Cancel spin cycle button:** Yes

**Removable work top:** Yes

**Selected program indicator:** Yes

**Remaining time:** Yes

**Fast program:** Yes

**Fast program (minutes):** 15

**Economic program:** Yes

**Intense program:** Yes

**Delayed Timer (h):** 1-24

**Delicate fabrics:** Yes

**Adjustable Feet Back:** Yes

**Adjustable feet front:** Yes

**Supplier's name or trade mark :** TEKA

**Supplier's address :** C/Cajo, 17, 39011, Santander , Spain

**Model identifier :** TK4 1070 BLANCA (EXP)

### General product parameters

#### Dimensions (cm)

**Height :** 85

**Width :** 59,5

**Depth:** 49,5

#### Consumption and efficiency

**Maximum temperature inside the treated textile (a) (°C)**

**Remaining moisture content (a) (%)**

**Spin speed (a) (rpm)**

**Eco 40-60 programme duration (a) (h:min)**

#### Other

#### Additional information:

Weblink to the supplier's website, where the information in point 9 of Annex II to Commission Regulation (EU) 2019/2023 (1) (b) is found:

(a) for the eco 40-60 programme.

(b) changes to these items shall not be considered relevant for the purposes of paragraph 4 of Article 4 of Regulation (EU) 2017/1369.

(c) if the product database automatically generates the definitive content of this cell the supplier shall not enter these data.

#### Additional information:

(c) where appropriate, the references of the harmonised standards applied;

(d) where appropriate, the other technical standards and specifications used;

(e) the details and the results of calculations performed in accordance with Annex IV;

(f) a list of all equivalent models including the model identifier.



TK4 1070 WHITE

ENERGY LABEL

