



AirFry HSB 646 Multifunction SurroundTemp Oven with special AirFry function



HydroClean



SurroundTemp



70L



Plus Extension
Telescopic
Guide

DESCRIPTION

Multifunction SurroundTemp Oven with special AirFry function

LIFE STYLE

Total

COLOURS



REFERENCE

REF. 111010024
EAN. 8434778017410

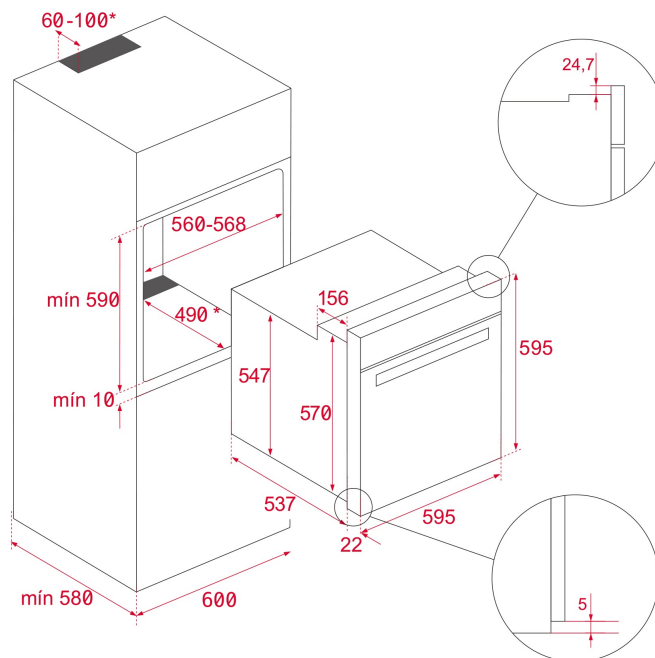


TEKA

AirFry HSB 646

FEATURES

AirFry Oven
HydroClean® PRO cleaning system
Multifunction SurroundTemp - 9 Cooking functions
Capacity, gross/net: 71/70 litres
Touch Control panel with LED display
Plus Extension telescopic guide easy slide
Express preheating function
Double glazed door
Dynamic ventilation
FryMaster Box, special perforated tray for frying
Anti-tip deep & baking trays and cooking grid
Children safety block option



DIMENSIONS

Product height (mm): 595

Product width (mm): 595

Product depth (mm): 537+22

Product length (mm):

Net weight (Kg): 28

TECH SPECS

PARTICULAR CHARACTERISTICS

Number of cavities: 1
Type of inner light: Halogen
Inside light position: RIGHT TOP CORNER
Enamelled cavity: Yes
Min. Temperature Regulator (°C): 50
Max. Temperature Regulator (°C): 250
Function selector: 11+0
Number of cooking functions: 9
Top + Bottom function: Yes
Grill function: Yes
MaxiGrill function: Yes
MaxiGrill + Fan function: Yes
Bottom function: Yes
Bottom + TURBO (Pizza) function: Yes
Turbo function: Yes
ECO function: Yes
Mechanical quick heating: Yes
Touch Control Programmer: Yes
Knobs type: MMX FIX knurling
Removable chromed tray guides: Yes
Number of guide levels: 5
Easy slide telescopic guides: Yes

ELECTRIC CONNECTION

Maximum Nominal Power (W): 3215

Frequency (Hz): 50/60

Power rate (V): 220-240

Cable Connection Length (cm): 150

Plug: Yes

Inside light Consumption (W): 25

ENERGY CONSUMPTION

Energy consumption per cycle in conventional mode (kWh):

0.81

Energy consumption per cycle in fan-forced convection mode

(kWh): 0,68

Bottom Heating Element (W): 1150

Grill (W): 1400

Maxi Grill (W): 2500

Traditional (W): 2550

Turbo (W): 2000

Multifunction Turbo (W): 22

Cooling Fan Motor (W): 18

SECURITY SYSTEM

Panel blocking system: Yes

Grill protection: Yes

Anti-tip tray system: Yes

Safety Thermostat: Yes

CLEANING SYSTEM

Fingerprint proof stainless steel: Yes

Crystal Clean Enamel (Slippery): Yes

Hydroclean PRO: Yes

ACCESSORIES

Baking Tray: 1

Deep Tray (50 mm): 1

Standard grid: 1

ENERGY EFFICIENCY

Energy Efficiency Class: A+

Energy Efficiency Index (EEI): 81



AirFry HSB 646

ENERGY LABEL

The energy label for the TEKA HSB 646 Air Fryer is a vertical rectangular sticker. At the top left is the European Union flag. To its right is the word "ENERG" in large blue letters, with "енергия - енергія" in smaller text below it. Further right are two circular icons: one with "Y" and "UA" and another with "IE" and "IA". Below this header, the brand name "Teka" and model number "HSB 646" are printed. A small icon of the air fryer is shown next to a power cord. The central part of the label features a vertical scale of energy efficiency classes from A+++ (dark green) at the top to D (red) at the bottom. A black arrow points to the A+ class. Below the scale, there are two boxes: the first shows an icon of the air fryer and the text "70 L"; the second shows an icon of a fan and the text "0.68 kWh/cycle*". To the right of these boxes, another icon of the air fryer is shown with the text "0.81 kWh/cycle*". At the bottom, there is a line of small text in multiple languages: "* усього циклів / portion - зйкис - програма / цикл - total / objemna ciklus ciklus - ciklus - ciklus - cykly - cycle - program - cycle!". The date "65/2014" is printed at the very bottom.