



# TKI3 145 D 82cm A+ Built-in Refrigerator



Easy 90,  
opening on its  
own axis for a  
perfect  
installation



LED lighting

## DESCRIPTION

82cm A+ Built-in Refrigerator

## LIFE STYLE

Total

## COLOURS



## REFERENCE

REF. 40693006  
EAN. 8421152114445

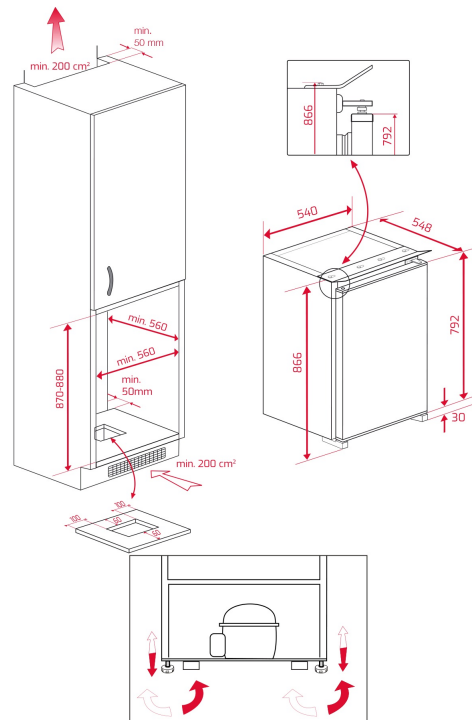


**TEKA**

**TKI3 145 D**

**FEATURES**

Built-in fridge  
Mechanical control panel  
Manual defrost  
Safety glass shelves  
Door on door installation  
Reversible door  
Energy Class: A++  
Climate Class: SN-T  
Total gross capacity: 130 litres  
Net capacity: 128 litres



## DIMENSIONS

**Product height (mm):** 818  
**Product width (mm):** 595  
**Product depth (mm):** 545  
**Product length (mm):**  
**Net weight (Kg):** 29

## TECH SPECS

### FITTING MEASURES

**Built-in niche (cm):** 82

### PRODUCT SHEET

**Cooling system:** Defrost  
**Total gross capacity (litres):** 130  
**Refrigerator compartment capacity (litres):** 128  
**Annual Consumption (kWh/year):** 92  
**Climate class:** SN/T  
**Noise level (dB):** 40  
**Certificates:** CE

### POWER SUPPLY

**Frequency (Hz):** 50  
**Power rate (V):** 230  
**Power rate (W):** 140  
**Energy consumption (kw/day):** 0,252  
**Plug type:** European  
**Cable Connection Length (cm):** 193

**PARTICULAR  
CHARACTERISTICS**

**Type of installation:** Built-in  
**Automatic defrosting in the refrigeration compartment:** Yes  
**Control panel:** Mechanical  
**Antibacterial treatment:** NO  
**Cooling set button:** Yes  
**Inner light:** Yes  
**Type of inner light:** LED BULB  
**Reversible doors:** Yes

**EQUIPMENT**

**Antibacterial gasket:** Yes  
**Multipurpose compartment:** NO  
**Ice cubes tray:** No  
**Bottle rack type:** NO  
**Adjustable feet front:** Yes  
**Number of shelves:** 3  
**Refrigerator adjustable shelves:** Yes

**PRODUCT INFORMATION  
SHEET (UE) 2019/2016**

**Supplier name or trademark:** TEKA  
**Supplier's address:**  
**Model identifier:** NA

Type of refrigerating appliance

**Low-noise appliance:**  
**Design type:** NA  
**Wine storage appliance:**  
**Other refrigerating appliance:**

Overall dimensions (mm)

**Height:** NA  
**Width:** NA  
**Depth:** NA  
**Total volume (dm<sup>3</sup> or l):** NA  
**Energy efficiency class:** NA  
**Airborne acoustical noise emissions (dB(A) re 1 pW):**  
**Airborne acoustical noise emission class:** NA  
**Annual energy consumption (kWh/a):** NA  
**Climate class:** SN/T

**Minimum ambient temperature (°C), for which the refrigerating appliance is suitable:**

**Maximum ambient temperature (°C), for which the refrigerating appliance is suitable:**

**Winter setting:**

**Compartment 1:**

**Compartment 1 - Compartment Volume (l):**

**Compartment 1 - Recommended temperature setting for optimised food storage (°C):**

**Compartment 1 - Freezing capacity (kg/24h):**

**Compartment 1 - Defrosting type:**

**Compartment 1 - Target temperature (°C):**

**Compartment 1 - Thermodynamic parameter (rc):**

**Compartment 1 - Nc:**

**Compartment 1 - Mc:**

**Compartment 1 - Defrost factor (Ac):**

**Compartment 1 - Built-in factor (Bc):**

**Compartment 2:**

**Compartment 2 - Compartment Volume (l):**

**Compartment 2 - Recommended temperature setting for optimised food storage (°C):**

**Compartment 2 - Freezing capacity (kg/24h):**

**Compartment 2 - Defrosting type:**

**Compartment 2 - Target temperature (°C):**

**Compartment 2 - Thermodynamic parameter (rc):**

**Compartment 2 - Nc:**

**Compartment 2 - Mc:**  
**Compartment 2 - Defrost factor (Ac):**  
**Compartment 2 - Built-in factor (Bc):**  
**Compartment 3:**  
**Compartment 3 - Compartment Volume (I):**  
**Compartment 3 - Recommended temperature setting for optimised food storage (°C):**  
**Compartment 3 - Freezing capacity (kg/24h):**  
**Compartment 3 - Defrosting type:**  
**Compartment 3 - Target temperature (°C):**  
**Compartment 3 - Thermodynamic parameter (rc):**  
**Compartment 3 - Nc:**  
**Compartment 3 - Mc:**  
**Compartment 3 - Defrost factor (Ac):**  
**Compartment 3 - Built-in factor (Bc):**  
**Compartment 4:**  
**Compartment 4 - Compartment Volume (I):**  
**Compartment 4 - Recommended temperature setting for optimised food storage (°C):**  
**Compartment 4 - Freezing capacity (kg/24h):**  
**Compartment 4 - Defrosting type:**  
**Compartment 4 - Target temperature (°C):**  
**Compartment 4 - Thermodynamic parameter (rc):**  
**Compartment 4 - Nc:**  
**Compartment 4 - Mc:**  
**Compartment 4 - Defrost factor (Ac):**  
**Compartment 4 - Built-in factor (Bc):**  
**Compartment 5 - Type:**  
**Compartment 5 - Compartment Volume (I):**  
**Compartment 5 - Recommended temperature setting for optimised food storage (°C):**  
**Compartment 5 - Freezing capacity (kg/24h):**  
**Compartment 5 - Defrosting type:**  
**Compartment 5 - Target temperature (°C):**  
**Compartment 5 - Thermodynamic parameter (rc):**  
**Compartment 5 - Nc:**  
**Compartment 5 - Mc:**  
**Compartment 5 - Defrost factor (Ac):**  
**Compartment 5 - Built-in factor (Bc):**

#### **Light source parameters**

**Light source - Type of light source:** NA  
**Light source - Energy efficiency class:** NA  
**Minimum duration of the guarantee offered by the manufacturer (b):**

#### **Additional information:**

Weblink to the manufacturer's website, where the information in point 4(a) Annex of Commission Regulation (EU) 2019/2019 (1) (b) is found:  
(a) as determined in accordance with Commission Delegated Regulation (EU) 2019/2015 (2).  
(b) changes to these items shall not be considered relevant for the purposes of point 4 of Article 4 of Regulation (EU) 2017/1369.  
(c) if the product database automatically generates the definitive content of this cell the supplier shall not enter these data.

(1) Commission Regulation (EU) 2019/2019 of 1 October 2019 laying down ecodesign requirements for refrigerating appliances pursuant to Directive 2009/125/EC of the European Parliament and of the Council and repealing Commission Regulation (EC) No 643/2009 (see page 187 of this Official Journal).(2)

(2) Commission Delegated Regulation (EU) 2019/2015 of 11 March 2019 supplementing Regulation (EU) 2017/1369 of the European Parliament and of the Council with regard to energy labelling of light sources and repealing Commission Delegated Regulation (EU) No 874/2012 (see page 68 of this Official Journal).





TKI3 145 D

ENERGY LABEL

The image shows a standard European energy label for a TEKA TKI3 145 D refrigerator. At the top left is the European Union flag. To its right is the word "ENERG" in large letters, with "енергия · енергija" below it. Further right are four small circles containing the letters Y, UA, IE, and TA. Below this header is the TEKA logo and the model number "TKI3 145 D". The central part of the label features a vertical scale of seven colored arrows representing energy efficiency classes: A+++ (dark green), A++ (green), A+ (light green), A (yellow-green), B (yellow), C (orange), and D (red). A black arrow points to the A++ class. Below the scale, the text "ENERGIA · ЕНЕРГИЈА", "ENERĢIJA · ENERĢIJA", and "ENERGY · ENERGIE · ENERGI" is listed. To the right of this text, a box contains the number "92" and the unit "kWh/annum". At the bottom, there are three icons: a refrigerator with "128 L" below it, a snowflake with a minus sign and "40 dB" below it, and a speaker icon with "40 dB" below it. The bottom left corner of the label has the number "2010/1060".