



TFI3 130 D 85cm A++ Built-in Refrigerator



Easy 90,
opening on its
own axis for a
perfect
installation



LED lighting

DESCRIPTION

85cm A++ Built-in Refrigerator

LIFE STYLE

Total

COLOURS



REFERENCE

REF. 40695051
EAN. 8421152114353

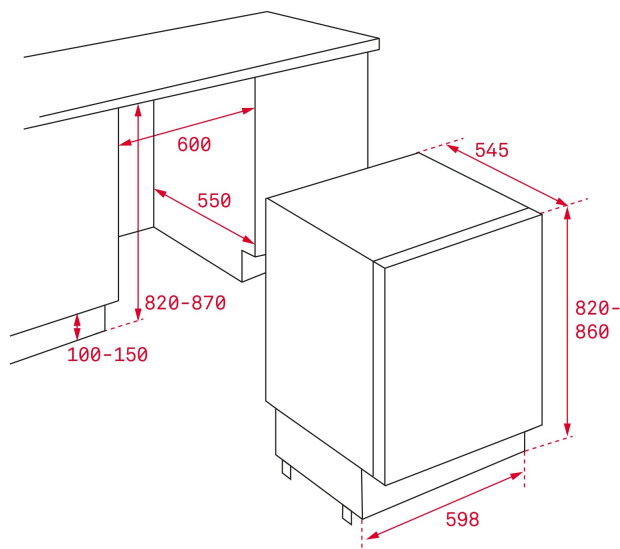


TEKA

TFI3 130 D

FEATURES

Built-under refrigerator
Mechanical control panel
4* freezer
Manual defrost
Safety glass shelves
Door on door installation
Reversible door
Energy Class: A++
Climate Class: SN-T
Total capacity: 125 litres
Net capacity (fridge): 105 + 18 litres



DIMENSIONS

Product height (mm): 818
Product width (mm): 595
Product depth (mm): 545
Product length (mm):
Net weight (Kg): 29

TECH SPECS

FITTING MEASURES

Built-in niche (cm): 82

PRODUCT SHEET

Cooling system: Defrost
Total gross capacity (litres): 125
Refrigerator compartment capacity (litres): 92
Freezer compartment capacity (litres): 15
Freezer classification: 4
Freezing capacity: 2
Annual Consumption (kWh/year): 138
Temperature Rise Time (h): 10
Climate class: SN/T
Noise level (dB): 39

POWER SUPPLY

Frequency (Hz): 50
Power rate (V): 230
Power rate (W): 65
Energy consumption (kw/day): 0,378
Plug type: European
Cable Connection Length (cm): 193

**PARTICULAR
CHARACTERISTICS**

Type of installation: Built-in
Automatic defrosting in the refrigeration compartment: Yes
Control panel: Mechanical
Antibacterial treatment: NO
Cooling set button: Yes
Inner light: Yes
Type of inner light: LED BULB
Reversible doors: Yes

EQUIPMENT

Chromed bottle rack: NO
Antibacterial gasket: Yes
Multipurpose compartment: NO
Ice cubes tray: 1
Bottle rack type: NO
Adjustable feet front: Yes
Roller (rear): Yes
Number of shelves: 2
Refrigerator adjustable shelves: Yes
Vegetable drawers: 0

**PRODUCT INFORMATION
SHEET (UE) 2019/2016**

Supplier name or trademark: TEKA
Supplier's address:
Model identifier: NA

Type of refrigerating appliance

Low-noise appliance:
Design type: NA
Wine storage appliance:
Other refrigerating appliance:

Overall dimensions (mm)

Height: NA
Width: NA
Depth: NA
Total volume (dm³ or l): NA
Energy efficiency class: NA
Airborne acoustical noise emissions (dB(A) re 1 pW):
Airborne acoustical noise emission class: NA
Annual energy consumption (kWh/a): NA
Climate class: SN/T
Minimum ambient temperature (°C), for which the refrigerating appliance is suitable:
Maximum ambient temperature (°C), for which the refrigerating appliance is suitable:
Winter setting:
Compartment 1:
Compartment 1 - Compartment Volume (l):
Compartment 1 - Recommended temperature setting for optimised food storage (°C):
Compartment 1 - Freezing capacity (kg/24h):
Compartment 1 - Defrosting type:
Compartment 1 - Target temperature (°C):
Compartment 1 - Thermodynamic parameter (rc):
Compartment 1 - Nc:
Compartment 1 - Mc:
Compartment 1 - Defrost factor (Ac):
Compartment 1 - Built-in factor (Bc):
Compartment 2:
Compartment 2 - Compartment Volume (l):
Compartment 2 - Recommended temperature setting for optimised food storage (°C):

Compartment 2 - Freezing capacity (kg/24h):

Compartment 2 - Defrosting type:

Compartment 2 - Target temperature (°C):

Compartment 2 - Thermodynamic parameter (rc):

Compartment 2 - Nc:

Compartment 2 - Mc:

Compartment 2 - Defrost factor (Ac):

Compartment 2 - Built-in factor (Bc):

Compartment 3:

Compartment 3 - Compartment Volume (l):

Compartment 3 - Recommended temperature setting for optimised food storage (°C):

Compartment 3 - Freezing capacity (kg/24h):

Compartment 3 - Defrosting type:

Compartment 3 - Target temperature (°C):

Compartment 3 - Thermodynamic parameter (rc):

Compartment 3 - Nc:

Compartment 3 - Mc:

Compartment 3 - Defrost factor (Ac):

Compartment 3 - Built-in factor (Bc):

Compartment 4:

Compartment 4 - Compartment Volume (l):

Compartment 4 - Recommended temperature setting for optimised food storage (°C):

Compartment 4 - Freezing capacity (kg/24h):

Compartment 4 - Defrosting type:

Compartment 4 - Target temperature (°C):

Compartment 4 - Thermodynamic parameter (rc):

Compartment 4 - Nc:

Compartment 4 - Mc:

Compartment 4 - Defrost factor (Ac):

Compartment 4 - Built-in factor (Bc):

Compartment 5 - Type:

Compartment 5 - Compartment Volume (l):

Compartment 5 - Recommended temperature setting for optimised food storage (°C):

Compartment 5 - Freezing capacity (kg/24h):

Compartment 5 - Defrosting type:

Compartment 5 - Target temperature (°C):

Compartment 5 - Thermodynamic parameter (rc):

Compartment 5 - Nc:

Compartment 5 - Mc:

Compartment 5 - Defrost factor (Ac):

Compartment 5 - Built-in factor (Bc):

Light source parameters

Light source - Type of light source: NA

Light source - Energy efficiency class: NA

Minimum duration of the guarantee offered by the manufacturer (b):

Additional information:

Weblink to the manufacturer's website, where the information in point 4(a) Annex of Commission Regulation (EU) 2019/2019 (1) (b) is found: (a) as determined in accordance with Commission Delegated Regulation (EU) 2019/2015 (2).

(b) changes to these items shall not be considered relevant for the purposes of point 4 of Article 4 of Regulation (EU) 2017/1369.

(c) if the product database automatically generates the definitive content of this cell the supplier shall not enter these data.

(1) Commission Regulation (EU) 2019/2019 of 1 October 2019 laying down ecodesign requirements for refrigerating appliances pursuant to Directive 2009/125/EC of the European Parliament and of the Council and repealing Commission Regulation (EC) No 643/2009 (see page 187 of this Official Journal).(2)

(2) Commission Delegated Regulation (EU) 2019/2015 of 11 March

2019 supplementing Regulation (EU) 2017/1369 of the European Parliament and of the Council with regard to energy labelling of light sources and repealing Commission Delegated Regulation (EU) No 874/2012 (see page 68 of this Official Journal).



TFI3 130 D

ENERGY LABEL

The energy label for the TEKA TFI3 130 D refrigerator is a vertical rectangular sticker. At the top left is the European Union flag. To its right is the word "ENERG" in large blue letters, with "енергия · ενεργεια" in smaller text below it. Further right are two circular icons: one with "Y I/A" and another with "IE I/A". Below this header is the TEKA logo and the model number "TFI3 130 D". The central part of the label features a vertical scale of seven energy efficiency classes, each represented by a colored arrow pointing to the right: A+++ (dark green), A++ (medium green), A+ (light green), A (yellow), B (orange), C (red-orange), and D (red). A black arrow points to the A++ class. Below the scale, the energy consumption is listed as "138 kWh/annum" in a white box. To the left of this box, the word "ENERGIA" is written in multiple languages: ENERGIJA, ENERPIJA, ENERPIJA, ENERPIJA, ENERPIJA, ENERPIJA, ENERPIJA. At the bottom, there are three icons: a water tap labeled "92 L", a snowflake labeled "15 L", and a speaker labeled "39 dB". The bottom left corner of the label contains the number "2010/1066".