



**MWR 22 BI** 22L Built-in Microwave with ceramic base



Defrost by time



Electronic door opening



22L capacity

**DESCRIPTION**

22L Built-in Microwave with ceramic base

**LIFE STYLE**

Total

**COLOURS**



**REFERENCE**

REF. 40586302  
EAN. 8421152141014

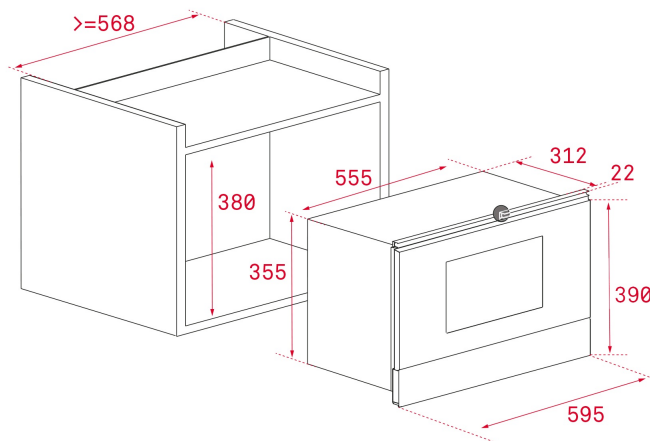


**TEKA**

**MWR 22 BI**

**FEATURES**

Country Style Edition  
Ceramic base microwave + grill  
Electromechanical control  
Five power levels, 850 W out  
Stainless steel cavity  
Ceramic base with uniform heating  
Forced tangential ventilation  
Auto defrost by time



## DIMENSIONS

**Product height (mm):** 380/390

**Product width (mm):** 595

**Product depth (mm):** 334

**Product length (mm):**

**Net weight (Kg):** 21,6

## TECH SPECS

### PARTICULAR CHARACTERISTICS

**Certificates:** CE; CB; EAC

**Type of inner light:** Incandescent

**Inside light position:** RIGHT

**Function selector:** MECHANICAL

**Number of cooking functions:** 1

**Knobs type:** 2 ROTATING MECHANICAL

**Number of guide levels (lower cavity):** 0

**Microwave function:** Yes

**Microwave defrosting:** Yes

**Number of power levels:** 5

**Tangential ventilation:** Yes

### ELECTRIC CONNECTION

**Maximum Nominal Power (W):** 1400

**Frequency (Hz):** 50

**Power rate (V):** 220-240

**Cable Connection Length (cm):** 150

**Plug:** Yes

**Inside light Consumption (W):** 20

**ENERGY CONSUMPTION**

Cooling Fan Motor (W): 18

**SECURITY SYSTEM**

Automatic disconnection when opening the door: Yes

Safety Thermostat: Yes

**ACCESSORIES**

Glass Tray: 0

