



RFD 77820 190cm A++ French Door No Frost Refrigerator



High efficiency
Inverter Motor



On Holidays
function



Gourmet Box,
drawer with
temperature
selection
between -2°
and 3° C



IonClean
Technology,
neutralise
bacteria and
bad odours



LED lighting



LongLife No
Frost,
independent
cooling circuits



VitaCare Box,
keeps fruit and
vegetables
fresh



A++ Energy
Class

DESCRIPTION

190cm A++ French Door No Frost Refrigerator

LIFE STYLE

Maestro

COLOURS



REFERENCE

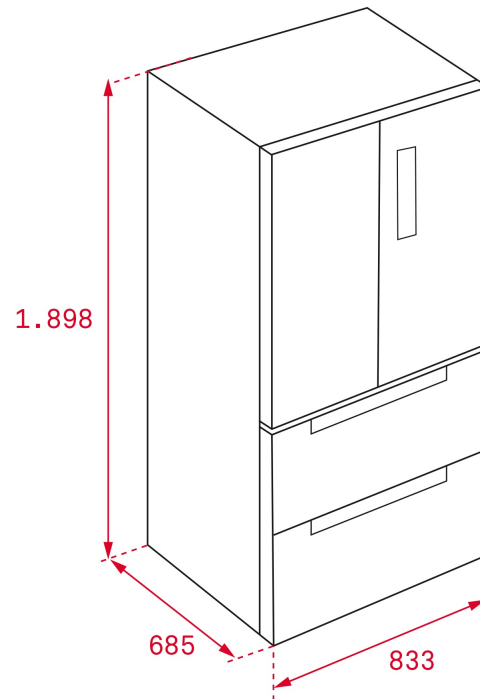
REF. 113430004
EAN. 8434778001471

FEATURES

French Door Gourmet Refrigerator
Motor inverter with high efficiency compressor
IonClean technology to neutralize bacteria and bad odours
LongLife No Frost with 3 independent circuits
Touch control with independent temperature regulator
Chromed details
Gourmet Box with telescopic guides and softclose, interior light, display, and Touch control with independent temperature regulator between -2° and +3°C
2 VitaCare Box drawers with independent humidity control
Top and back LED light
TempGuard Radar technology
Interior LED light in freezer
Pull-out telescopic softclose drawer with deep tray and two special drawers for meat and fish
Pull-out telescopic softclose deep drawer with an upper tray with telescopic guides
Removable freezer drawers for easy cleaning

DIMENSIONS

Product height (mm): 1898
Product width (mm): 833
Product depth (mm): 685
Product length (mm):
Net weight (Kg): 136



TECH SPECS

FITTING MEASURES

Built-in Width (mm): 0
Built-in Depth (mm): 0
Built-in Height (mm): 0
Built-in niche (cm): NA

PRODUCT SHEET

Cooling system: LongLife No Frost
Energy Efficiency Class: A++
No Frost In Refrigerator Compartment: Yes
No Frost in chiller: Yes
No Frost in freezer compartment: Yes
Total gross capacity (litres): 537
Refrigerator compartment capacity (litres): 304
Chilling Compartment Capacity (litres): 31
Freezer compartment capacity (litres): 165
Freezer classification: 4
Freezing capacity: 13,0
Annual Consumption (kWh/year): 333
Temperature Rise Time (h): 15
Climate class: T
Noise level (dB): 42

Certificates: CB/DE

POWER SUPPLY

Frequency (Hz): 50

Power rate (V): 230

Power rate (W): 250

Defrost element power (W): 250

Energy consumption (kw/day): 0,915

Cable Connection Length (cm): 175

PARTICULAR CHARACTERISITICS

Type of installation: Free standing

Number of bottles (wine cooler): NA

Automatic defrosting in the refrigeration compartment: Yes

Automatic defrosting in the freezer compartment: Yes

Electronic adjustable thermostat: Yes

Display on door: Yes

Fingerprint proof door: Yes

Antibacterial treatment: IonClean

Freezing set button: Yes

Cooling set button: Yes

Lock function: Yes

Fast freezing: Yes

Fast Cooling Function: Yes

On Holidays Function: Yes

Inner light: Yes

Type of inner light: LED

Integrated handle: Yes

CONTROL INDICATOR LIGHTS

Operating light fridge: Yes

Operating light freezer: Yes

Freezer compartment temperature display: Yes

Fast freezing indicator: Yes

Acoustic alarm: Yes

Visual alarm: Yes

EQUIPMENT

Antibacterial gasket: Yes

Multipurpose compartment: NO

Ice cubes tray: 1

Bottle rack type: CHROMED

Dairy covered compartment: Yes

Adjustable feet front: Yes

Roller (rear): Yes

Refrigerator adjustable shelves: Yes

Vegetable drawers: 2

Temperature and humidity regulation in drawers: VitaCare Box



RFD 77820

ENERGY LABEL

The energy label for the TEKA RFD 77820 GBK refrigerator features the following information:

- Model:** RFD 77820 GBK
- Energy Class:** A++ (indicated by a black arrow pointing to the A++ level on the scale)
- Energy Consumption:** 333 kWh/annum
- Net Capacity:** 335 L
- Freezer Capacity:** 165 L
- Noise Level:** 42 dB
- Energy Scale:** A+++ (dark green), A++ (green), A+ (light green), A (yellow), B (orange), C (dark orange), D (red)
- Logos:** European Union flag, ENERGY (with Y, U, A, IE, IA icons), and TEKA.
- Text:** ENERGIJA - ENERGIJA, ENERGIJA - ENERGIJA, ENERGIJA - ENERGIJA
- Reference:** 2010/1060