



# CI3 330 NF Built-in Combi refrigerator



Fresh Box,  
keeps fruit and  
vegetables  
fresh for longer



LED lighting

**DESCRIPTION**

Built-in Combi refrigerator

**LIFE STYLE**

Total

**COLOURS**

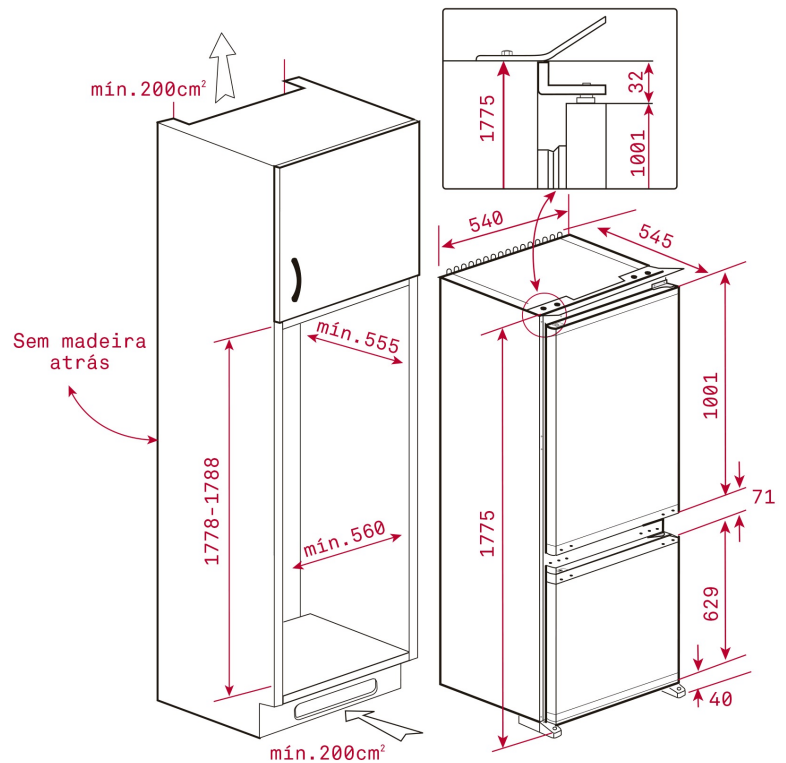


**REFERENCE**

REF. 40633511  
EAN. 8421152156551

**FEATURES**

Built-in Combi refrigerator  
Reversible doors Sliding door hinges  
\*\*\*\*4 Star freezer  
No frost freezer  
Sliding door hinges  
Reversible doors  
LED Illumination from top  
Safety glass shelves hight adjustable Removeable balconies 2  
Glass shelves in freezer to maximize loading Antibacterial gasket  
Energy efficiency class: A+  
Total gross volume: 275 liters  
Fridge net volume: 193 liters  
Freezer net volume: 69 liters



## DIMENSIONS

**Product height (mm):** 1776  
**Product width (mm):** 540  
**Product depth (mm):** 545  
**Product length (mm):**  
**Net weight (Kg):** 55

## TECH SPECS

### FITTING MEASURES

**Built-in niche (cm):** 178

### PRODUCT SHEET

**Cooling system:** Defrost / No Frost  
**Energy Efficiency Class:** A+  
**No Frost in freezer compartment:** Yes  
**Total gross capacity (litres):** 275  
**Refrigerator compartment capacity (litres):** 193  
**Freezer compartment capacity (litres):** 69  
**Freezer classification:** 4  
**Freezing capacity:** 4,0  
**Annual Consumption (kWh/year):** 286  
**Temperature Rise Time (h):** 13  
**Climate class:** T  
**Noise level (dB):** 40

### POWER SUPPLY

**Frequency (Hz):** 60  
**Power rate (V):** 220-240  
**Power rate (W):** 115  
**Defrost element power (W):** 120

**PARTICULAR  
CHARACTERISITICS**

**Energy consumption (kw/day):** 0,785

**Type of installation:** Built-in

**Automatic defrosting in the refrigeration compartment:** Yes

**Automatic defrosting in the freezer compartment:** Yes

**Antibacterial treatment:** NO

**Inner light:** Yes

**Type of inner light:** LED on Ceiling

**Reversible doors:** Yes

**EQUIPMENT**

**Chromed bottle rack:** 4

**Antibacterial gasket:** Yes

**Multipurpose compartment:** NO

**Ice cubes tray:** 1

**Bottle rack type:** CHROMED

**Adjustable feet front:** Yes

**Roller (rear):** Yes

**Vegetable drawers:** 1

**Temperature and humidity regulation in drawers:** FRESH BOX



CI3 330 NF

ENERGY LABEL

The energy label for the TEKA CI3 330 NF refrigerator features the following information:

- Energy Class:** A+ (indicated by a black arrow pointing to the A+ bar on the scale).
- Annual Energy Consumption:** 286 kWh/annum.
- Net Capacity (Refrigerator):** 193 L.
- Net Capacity (Freezer):** 69 L.
- Sound Power Level:** 40 dB.
- Energy Efficiency Class:** Y (top left), IA (top right), IE (bottom left), IA (bottom right).
- Model:** CI3 330 NF.
- Regulation:** 2010/1060.