



# MWE 209 FI 20L Built-in Microwave + Grill



Defrost by time



Defrost by weight



Direct access menu



20L capacity

**DESCRIPTION**

20L Built-in Microwave + Grill

**LIFE STYLE**

Total

**COLOURS**



**REFERENCE**

REF. 40581119  
EAN. 8421152127230

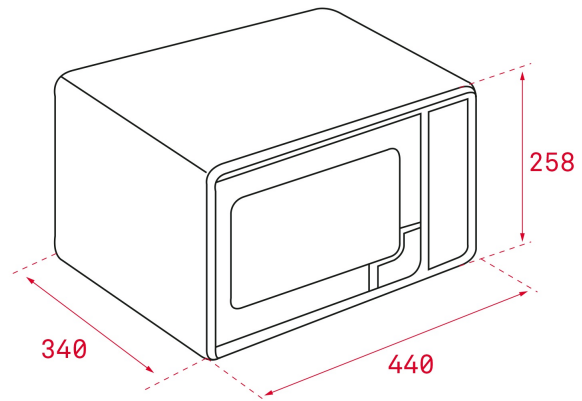


**TEKA**

**MWE 209 FI**

**FEATURES**

Built-in microwave + Grill  
Capacity: 20 litres  
Electronic control panel with white LED display  
Quick start +30"  
Double glass door  
5 Power levels: 800 W.  
Drop down grill: 1,000 W  
Maximum nominal power: 1,250 W  
8 Auto-cook menus  
3 Cooking function (Mic, Grill, Mic-Grill)  
Defrost by time and weight  
Timer 0-95 minutes  
Turntable 24.5cm  
Safety block  
Fingerprint-proof stainless steel  
Stainless steel inner cavity



## DIMENSIONS

**Product height (mm):** 340  
**Product width (mm):** 463  
**Product depth (mm):** 360  
**Product length (mm):**  
**Net weight (Kg):** 15,0

## TECH SPECS

### PARTICULAR CHARACTERISTICS

**Certificates:** GS / EMC  
**Number of cooking functions:** 3  
**Grill function:** Yes  
**Number of guide levels (lower cavity):** 0  
**Microwave function:** Yes  
**Number of power levels:** 5

### ELECTRIC CONNECTION

**Maximum Nominal Power (W):** 1250  
**Frequency (Hz):** 50  
**Power rate (V):** 230  
**Inside light Consumption (W):** 20

### ENERGY CONSUMPTION

**Grill (W):** 1000  
**Turbo (W):** 0

### SECURITY SYSTEM

**Children safety block option:** Yes  
**Safety Thermostat:** Yes

**CLEANING SYSTEM**

Fingerprint proof stainless steel: Yes

**ACCESSORIES**

Glass Tray: 1

Crunch plate: 0

