



JZC 63312 ABN 60cm Hybrid Hob with Direct Functions and 3 zones



MultiSlider, for independent control of each cooking zone



Integrated auto-ignition system



Autolock



ExactFlame with 9 power levels



Power function



Power Plus function

DESCRIPTION

60cm Hybrid Hob with Direct Functions and 3 zones

LIFE STYLE

Total

COLOURS



REFERENCE

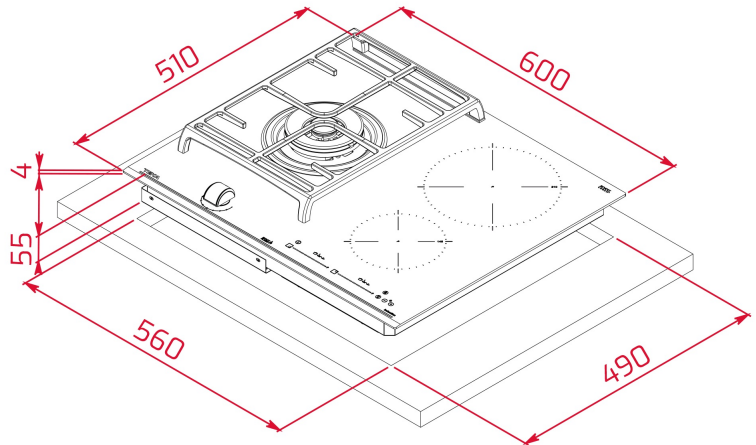
REF. 112570112
EAN. 8434778011234

FEATURES

Gas on glass + Induction hob
Touch control MultiSlider
ExactFlame control
Cooking timer
3 cooking zones:
1 induction 210 Ø (2250-3000 W)
1 induction 145 Ø (1250-1800 W)
1 gas Doble ring burner wok (4.0 kW)
9 gas power levels with precise control of the flame
Large cast iron grids
Automatic-ignition
Auto-lock safety device
Induction Power Plus function
3 special cooking functions: Simmering, Melting and KeepWarm
Maximum nominal power (gas): 4.0 kW
Maximum nominal power (induction): 3500 W
Ceramic Glass (4 mm)

TEKA

JZC 63312 ABN



DIMENSIONS

Product height (mm): 59
Product width (mm): 600
Product depth (mm): 510
Product length (mm):
Net weight (Kg): 12,8

TECH SPECS

FITTING MEASURES

Built-in Width (mm): 560
Built-in Depth (mm): 490
Built-in Height (mm): 55

PARTICULAR CHARACTERISTICS

Gas type: Natural
Maximum nominal power (W) (Gas): 4000
Auto ignition: Yes
Number of electric power levels: 9
Simmering: Yes
Melting: Yes
Keeping warm: Yes
Power management function: Yes

ELECTRIC CONNECTION

Frequency (Hz): 50/60
Power rate (V): 220-240
Cable Connection Length (cm): 110
Maximum Nominal Power (W) (Electric hob): 3500

COOKING ZONES

Cooking Zones: 3

Energy consumption for the whole hob, Wh/Kg: 180,4

Left center cooking zone - Type: DOUBLE RING

Right rear cooking zone - Diameter (mm): 210

Right rear cooking zone - Type: Single Zone

Right rear cooking zone - Consumption in Wh/Kg (EU 66/2014):
178,7

Right front cooking zone - Diameter (mm): 145

Right front cooking zone - Type: Single Zone

Right front cooking zone - Consumption in Wh/Kg (EU 66/2014): 182,1

SECURITY SYSTEM

Automatic safety disconnection (Auto Lock) (Gas): Yes

Residual heat indicator (Electric hob): Yes

Automatic safety disconnection (Auto Lock) (Electric hob): Yes

Child lock: Yes

FINISH

Surface finishing: Front bevelled glass

Surface type: Ceramic Glass (4mm)

ACCESSORIES

Grid type: Full Grid

Wok support: Optional

Junction Kit: Optional

Cast Iron Grids: Yes

Teppan Yaki: No

