



# RLF 74911 90cm A++ Side by Side refrigerator



High efficiency  
Inverter Motor



On Holidays  
function



Fresh Box,  
keeps fruit and  
vegetables  
fresh for longer



Full No Frost



LED lighting

## DESCRIPTION

90cm A++ Side by Side refrigerator

## COLOURS

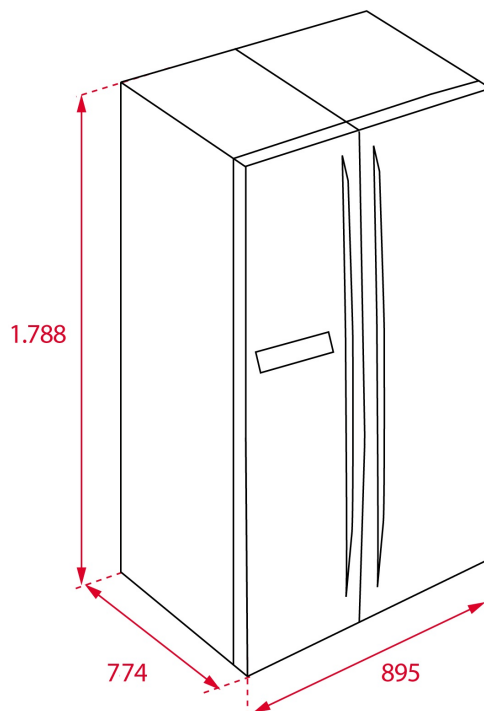


## REFERENCE

REF. 113430023  
EAN. 8434778013290

**FEATURES**

Side by Side refrigerator  
Full No Frost  
Electronic control panel with freezer and refrigerator  
Temperature control and indicator  
4 star freezer  
Eco function  
2 FreshBox drawers  
2 Freezer drawers  
7 safety glass shelves with adjustable height  
LED illumination  
Safety lock for children  
8 door balconies, 1 special freezer box  
External strip handle  
Back wheels to move the appliance easily  
Energy class: A++  
Total gross capacity: 661 liters



## DIMENSIONS

Product height (mm): 1808

Product width (mm): 910

Product depth (mm): 750

Product length (mm):

Net weight (Kg): 100

## TECH SPECS

### FITTING MEASURES

Built-in Width (mm): 0

Built-in Depth (mm): 0

Built-in Height (mm): 0

### PRODUCT SHEET

Cooling system: FULL NF

Energy Efficiency Class: A++

No Frost In Refrigerator Compartment: Yes

No Frost in freezer compartment: Yes

Total gross capacity (litres): 661

Refrigerator compartment capacity (litres): 389

Freezer compartment capacity (litres): 216

Freezer classification: 4

Freezing capacity: 11

Annual Consumption (kWh/year): 372

Temperature Rise Time (h): 15

Climate class: SN-T

Noise level (dB): 40

Certificates: CE, TUV, GS

## POWER SUPPLY

**Frequency (Hz):** 50  
**Power rate (V):** 220-240  
**Power rate (W):** 170  
**Defrost element power (W):** 240  
**Energy consumption (kw/day):** 1,02  
**Plug type:** EU F TYPE(CURRENT ONE/VDE)  
**Cable Connection Length (cm):** 175

## PARTICULAR CHARACTERISTICS

**Type of installation:** Free standing  
**Automatic defrosting in the refrigeration compartment:** Yes  
**Automatic defrosting in the freezer compartment:** Yes  
**Electronic control:** Yes  
**Control panel:** LED DISPLAY  
**Electronic adjustable thermostat:** Yes  
**Display on door:** Yes  
**Fingerprint proof door:** Yes  
**Antibacterial treatment:** NO  
**Freezing set button:** Yes  
**Cooling set button:** Yes  
**Lock function:** Yes  
**Fast freezing:** Yes  
**Fast Cooling Function:** Yes  
**On Holidays Function:** Yes  
**Inner light:** Yes  
**Type of inner light:** LED  
**Integrated handle:** Yes

## CONTROL INDICATOR LIGHTS

**Operating light fridge:** Yes  
**Operating light freezer:** Yes  
**Freezer compartment temperature display:** Yes  
**Fast freezing indicator:** Yes  
**Acoustic alarm:** Yes

## EQUIPMENT

**Chromed bottle rack:** NO  
**Multipurpose compartment:** NO  
**Ice cubes tray:** 2  
**Bottle rack type:** YES  
**Adjustable feet front:** Yes  
**Roller (rear):** Yes  
**Number of shelves:** 5  
**Refrigerator adjustable shelves:** Yes  
**Vegetable drawers:** 2  
**Temperature and humidity regulation in drawers:** FRESH BOX

