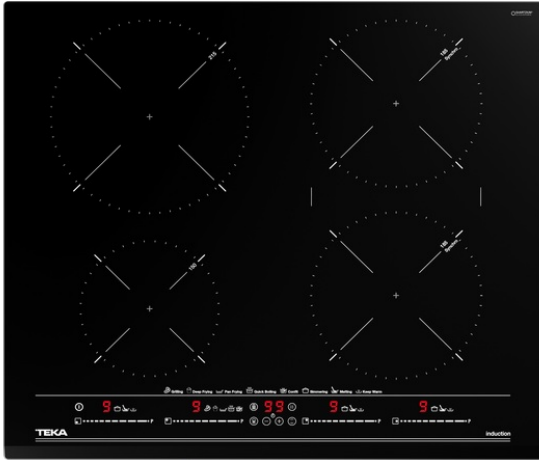


IZC 64630 MST

MasterSense Series induction hob with direct functions and MultiSlider touch control



MultiSlider



Autolock



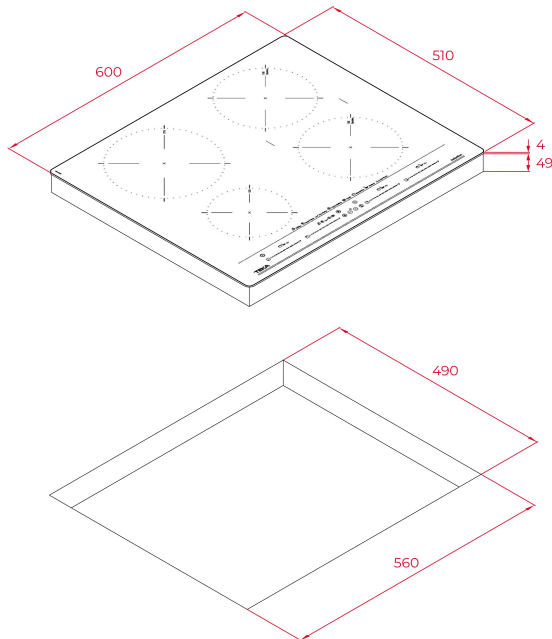
Power



Power Plus



Easy installation

**REFERENCE**

REF: 112500022

EAN: 8434778011722

FEATURES

Urban Colors Edition

MasterSense Series

Induction hob

Direct functions with temperature sensors: Grilling, confit, pan frying, deep frying, quick boiling, simmering, melting, deep frying and keep warm

Touch Control MultiSlider

4 cooking zones

1 zone Ø 215 mm

2 zones Ø 185 mm

1 zone Ø 150 mm

Ceramic glass surface

Auto-lock safety system

Cooking timer

Power plus

Child lock

Residual heat indicator

Power management

Easy installation kit

Maximum nominal power 7200 W

Optional: Grilling plate

Optional: Teppanyaki

DIMENSIONS**Product height (mm):** 53**Product width (mm):** 600**Product depth (mm):** 510**Product length (mm):****Net weight (Kg):** 10,7**TECHNICAL DETAILS**

Power rate (V): 220-240

Frequency (Hz): 50/60

Maximum Nominal Power (W): -

COLOURS

112500022

Black glass



112500027

Steam grey



112500027

Stone grey



112500027

London brick brown



112500027

White

ENERGY EFFICIENCY

Power consumption in standby mode (W): 0.4

Time to reach standby mode (min): 1