



HSC 644 S 45cm Multifunctional Turbo Steam Oven



48L

DESCRIPTION

45cm Multifunctional Turbo Steam Oven

LIFE STYLE

Total

COLOURS

REFERENCE

REF. 41591750
EAN. 8421152145432

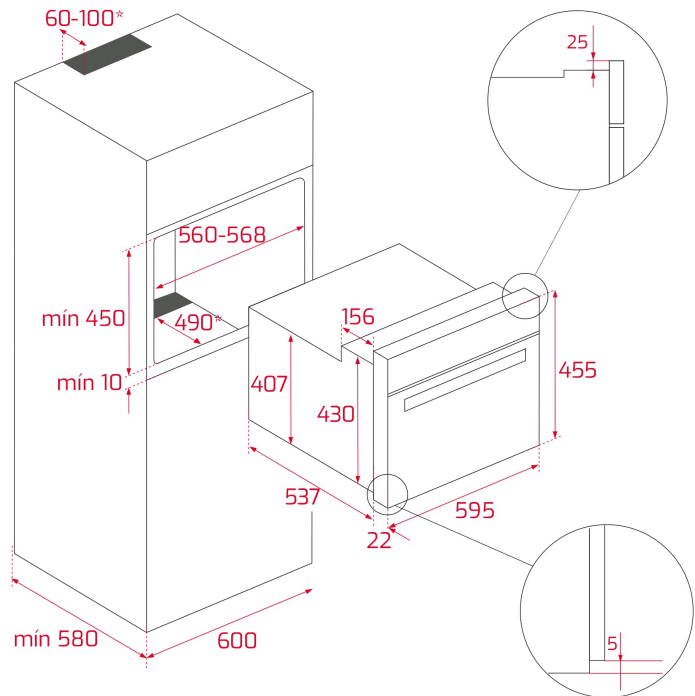


TEKA

HSC 644 S

FEATURES

Steam oven
Touch Control with electronic timer
Five cooking levels
Steam cooking 30-100°C
1 litre water tank
Sterilization and regeneration functions
Triple glazed door
Door opening security disconnection
Tangential ventilation
Deep tray, stainless steel perforated tray and reinforced grid (with anti-tip system)



DIMENSIONS

Product height (mm): 455
Product width (mm): 595
Product depth (mm): 559
Product length (mm):
Net weight (Kg): 26,5

TECH SPECS

PARTICULAR CHARACTERISTICS

Certificates: CE/CB
Number of cavities: 1
Type of inner light: Halogen
Inside light position: upper rear right
Enamelled cavity: Yes
Function selector: ELECTRONIC
Number of cooking functions: 1
Bottom function: Yes
Touch Control Programmer: Yes
Knobs type: MMX FIX KNOB
Removable chromed tray guides: Yes
Number of guide levels: 5
Number of guide levels (lower cavity): 0
Forced refrigeration tangential 1 speed: Yes

ELECTRIC CONNECTION

Maximum Nominal Power (W): 2300
Frequency (Hz): 50/60
Power rate (V): 220-240
Cable Connection Length (cm): 110
Inside light Consumption (W): 25

ENERGY CONSUMPTION

Bottom Heating Element (W): 1150
Cooling Fan Motor (W): 35

SECURITY SYSTEM

Automatic disconnection when opening the door: Yes
Panel blocking system: Yes
Children safety block option: Yes
Anti-tip tray system: Yes
Safety Thermostat: Yes
Full glazed doors: 3

CLEANING SYSTEM

Fingerprint proof stainless steel: Yes
Crystal Clean Enamel (Slippery): Yes

ACCESSORIES

Baking Tray: Yes
Reinforced grid: Yes

