



TGI2 120 D Defrost Built-in Freezer 82cm with 1 door and 2 transparent drawers



Easy 90

DESCRIPTION

Defrost Built-in Freezer 82cm with 1 door and 2 transparent drawers

LIFE STYLE

Total

COLOURS



REFERENCE

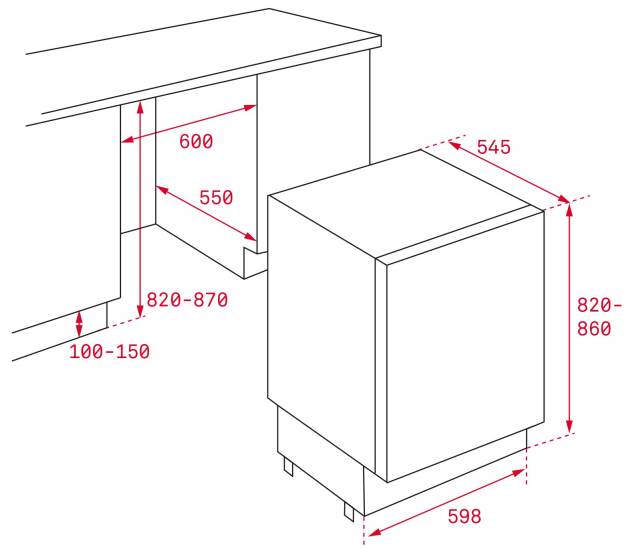
REF. 40694000
EAN. 8421152084915



TGI2 120 D

FEATURES

Built-under freezer
Electronic control panel
4* freezer
3 freezer drawers
Door on door installation
Reversible door
:
Climate Class: SN-T
Noise level: 39 dBA
Total gross capacity: 96 litres
Net capacity: 87 litres



DIMENSIONS

Product height (mm): 818
Product width (mm): 595
Product depth (mm): 545
Product length (mm):
Net weight (Kg): 31

TECH SPECS

FITTING MEASURES

Built-in niche (cm): 82

PRODUCT SHEET

Cooling system: Defrost
Total gross capacity (litres): 96
Freezer compartment capacity (litres): 87
Freezer classification: 4
Freezing capacity: 6
Annual Consumption (kWh/year): 183
Temperature Rise Time (h): 19
Climate class: SN/T
Noise level (dB): 42

POWER SUPPLY

Frequency (Hz): 50
Power rate (V): 230
Power rate (W): 75
Energy consumption (kw/day): 0,501
Plug type: European
Cable Connection Length (cm): 193

**PARTICULAR
CHARACTERISTICS**

Type of installation: Built-in
Electronic control: Yes
Control panel: Electronic
Electronic adjustable thermostat: Yes
Antibacterial treatment: NO
Fast freezing: Yes
Reversible doors: Yes

CONTROL INDICATOR LIGHTS

Operating light freezer: Yes
Fast freezing indicator: Yes

EQUIPMENT

Antibacterial gasket: Yes
Ice cubes tray: 1
Adjustable feet front: Yes

**PRODUCT INFORMATION
SHEET (UE) 2019/2016**

Supplier name or trademark: TEKA
Supplier's address: C/Cajo, 17, 39011, Santander , Spain
Model identifier: TGI2 120 D

Type of refrigerating appliance

Design type: NA

Overall dimensions (mm)

Height: 818

Width: 595

Depth: 545

Total volume (dm³ or l): NA

Airborne acoustical noise emission class: NA

Annual energy consumption (kWh/a): NA

Climate class: SN/T

**Minimum ambient temperature (°C), for which the
refrigerating appliance is suitable:** NA

**Maximum ambient temperature (°C), for which the
refrigerating appliance is suitable:** NA

Light source parameters

Light source - Type of light source: NA

Light source - Energy efficiency class: NA

Light source parameters

Light source - Type of light source: NA

Light source - Energy efficiency class: NA

Additional information:

Weblink to the manufacturer's website, where the information in point 4(a) Annex of Commission Regulation (EU) 2019/2019 (1) (b) is found:
(a) as determined in accordance with Commission Delegated Regulation (EU) 2019/2015 (2).

(b) changes to these items shall not be considered relevant for the purposes of point 4 of Article 4 of Regulation (EU) 2017/1369.

(c) if the product database automatically generates the definitive content of this cell the supplier shall not enter these data.

(1) Commission Regulation (EU) 2019/2019 of 1 October 2019 laying down ecodesign requirements for refrigerating appliances pursuant to Directive 2009/125/EC of the European Parliament and of the Council and repealing Commission Regulation (EC) No 643/2009 (see page 187 of this Official Journal).(2)

(2) Commission Delegated Regulation (EU) 2019/2015 of 11 March

2019 supplementing Regulation (EU) 2017/1369 of the European Parliament and of the Council with regard to energy labelling of light sources and repealing Commission Delegated Regulation (EU) No 874/2012 (see page 68 of this Official Journal).



TGI2 120 D

ENERGY LABEL

