



**LP8 700 EU** Free Standing Dishwasher for 12 place settings and 4 washing programs



Eco Function

**DESCRIPTION**

Free Standing Dishwasher for 12 place settings and 4 washing programs

**LIFE STYLE**

Easy

**COLOURS**



**REFERENCE**

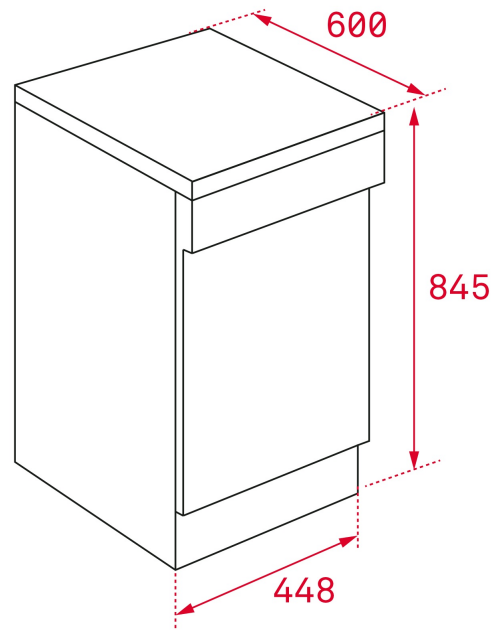
REF. 40782052  
EAN. 8421152144558



## LP8 700 EU

### FEATURES

Free-standing dishwasher  
Place settings: 12  
Washing programs: 4  
Washing temperatures: 45°, 60°, 65°C  
Half load program  
Fast program 30 minutes  
Eco Program  
AquaStop safety system  
Adjustable upper basket  
:  
Noise level: 49 dBA



## DIMENSIONS

**Product height (mm):** 845  
**Product width (mm):** 598  
**Product depth (mm):** 600  
**Product length (mm):**  
**Net weight (Kg):** 40,5

## TECH SPECS

### PRODUCT SHEET

**Capacity (Place Settings):** 12  
**Energy consumption (kWh/year):** 273  
**Power consumption (Kwh):** 0,96  
**Water consumption (litres/year):** 3220  
**Water consumption (litres):** 11.5  
**Standard program:** ECO  
**Standard cycle duration (minutes):** 190  
**Noise level (dB):** 49  
**Certificates:** GS;CE;EMC;Rohs

### POWER SUPPLY

**Frequency (Hz):** 50  
**Power rate (V):** 220-240  
**Power rate (W):** 1760-2100  
**Plug type:** EU  
**Maximum Nominal Power (W):** 2100

### PARTICULAR CHARACTERISITICS

**Type of installation:** Free standing  
**Control panel:** Electronic buttons  
**Number of programs:** 4

## SECURITY SYSTEM

## CONTROL INDICATOR LIGHTS

## SPECIAL FUNCTIONS

## PRODUCT INFORMATION SHEET (UE) 2019/2014

**Number Of Washing Temperatures:** 3

**Water softener:** Yes

**Microfilter:** Yes

**Internal Leakage Control:** Yes

**Low Salt Aid indicator:** Yes

**Low Rinse Aid indicator:** Yes

**Selected program indicator:** Yes

**Fast program:** Yes

**Fast program (minutes):** 30

**Economic program:** Yes

**Half load:** Yes

**Delayed Timer (h):** NO

**Supplier name or trademark:** TEKA

**Supplier's address:** C/Cajo, 17, 39011, Santander , Spain

**Model identifier:** LP8 700 EU

**Rated capacity (nb of place settings):** 12

**Height (cm):** 85

**Width (cm):** 60

**Depth (cm):** 60

**Energy Efficiency Class:** 55,9

**Cleaning performance index:** 1,13

**Drying performance index:** 11

**Energy consumption in kWh [per cycle], based on the eco programme:** 0,923

**Water consumption in litres [per cycle], based on the eco programme:** 11

**Programme duration(h:min):** 3:40

**Type:** Free standing

**Airborne acoustical noise emissions (dB(A) re 1 pW):** 49

**Airborne acoustical noise emission class:** C

**Off-mode (W):** 0,49

**Standby mode (W):** NA

**Delay start (W) (if applicable):** 1

**Networked standby (W) (if applicable):** NA

**Minimum duration of the guarantee offered by the supplier:** 2

### Additional information:

Weblink to the supplier's website, where the information in point 6 of Annex II to Commission Regulation (EU) 2019/2022 (1) (b) is found:

(a) for the eco programme.

(b) changes to these items shall not be considered relevant for the purposes of paragraph 4 of Article 4 of Regulation (EU) 2017/1369.

(c) if the product database automatically generates the definitive content of this cell the supplier shall not enter these data.



LP8 700 EU

ENERGY LABEL

