



TKS1 810 H 8kg A++ Free Standing Dryer with 3 drying temperatures



Hand Wash



Washing capacity: 8Kg

DESCRIPTION

8kg A++ Free Standing Dryer with 3 drying temperatures

LIFE STYLE

Total

COLOURS

REFERENCE

REF. 40854210
EAN. 8421152155981



TEKA

TKS1 810 H

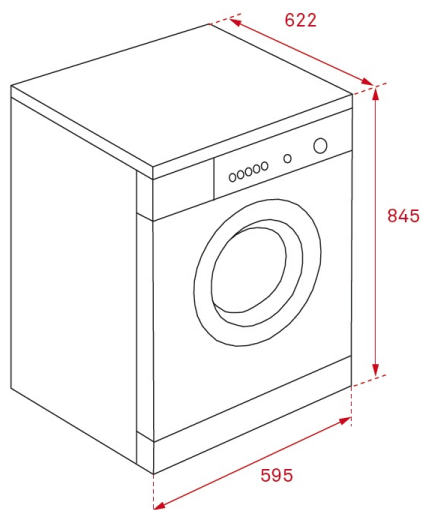
FEATURES

Free standing dryer
Heat pump condenser dryer
16 programs
Drying capacity: 8 Kg
Electronic control panel with display
Delay timer 1-24h
4 Power levels
End of cycle alarm
Humidity sensor
Anti-crease program
Delicate clothing program clothing program
Cooling program
Bi- direction rotation
Remaining time indicator
Removable filter with saturation level indicator
Energy class: A++

TEKA**TKS1 810 H**

DIMENSIONS

Product height (mm): 845
Product width (mm): 595
Product depth (mm): 622
Product length (mm):
Net weight (Kg): 51



TECH SPECS

PRODUCT SHEET

Type of load: Front
Type of installation: Free standing
Drying capacity (Kgs): 8
Energy Efficiency Class: A++
Energy consumption per drying cycle (Full load) (kWh): 1.98
Energy consumption (kWh/year): 236
Automatic (sensor drying): Yes
Certificates: CE, VDE

POWER SUPPLY

Frequency (Hz): 50
Power rate (V): 220-240
Maximum Nominal Power (W): 650
Nominal power motor (W): 120

PARTICULAR CHARACTERISTICS

Glass door diameter (cms): 37,5
Number of programs: 12
Control panel: Electronic
Electronic washing management: Yes
Child lock: Yes
Bidirectional rotation: Yes
Drum light: Yes
Drum: Galvanized

CONTROL INDICATOR LIGHTS

SPECIAL FUNCTIONS

Selected program indicator: Yes

Remaining time: Yes

Drying: Yes

Dryer timer: Yes

Economic program: Yes

Delayed Timer (h): 1-24

Delicate fabrics: Yes

Easy ironing/anti crease: Yes

EQUIPMENT

Adjustable Feet Back: Yes

Adjustable feet front: Yes



TKS1 810 H

ENERGY LABEL

The energy label for the TEKA TKS1 810 H washing machine is a vertical rectangular sticker with a blue border. At the top left is the European Union flag. To its right, the word "ENERG" is written in large blue letters, with "енергия · ενεργεια" below it. Further right are two small circular icons: one with "Y" and "JA" and another with "IE" and "IA". Below this, the TEKA logo is on the left and the model number "TKS1 810 H" is on the right. The main part of the label features a scale of energy efficiency classes from A+++ (green) at the top to D (red) at the bottom. A black arrow points to the A++ class. Below the scale, the energy consumption is listed as "236 kWh/annum" in a white box with a blue border. Underneath, there are three icons: a washing machine cycle, a clock, and a t-shirt. Below these icons are the values "195 min/cycle*", "8,0 kg", and "69 dB". At the bottom left is a water consumption icon with the label "ABCDEF" and a small number "392/2012". At the bottom right is a small text block in multiple languages explaining the water consumption scale.

ENERG
енергия · ενεργεια

Y JA
IE IA

TeKa TKS1 810 H

A+++
A++
A+
A
B
C
D

236 kWh/annum

ENERGIA · ЕНЕРГИЯ · ENERGIJA
ENERGIJA · ENERGY · ENERGIE
ENERGI

195 min/cycle*

8,0 kg

69 dB

ABCDEF

392/2012

*цикло - циклу - portion - ciklus
profesional - ciclo - tsükkel
ohjelmä - ciklus - ciklus - ciklu
ciklu - ciklus - cykl - ciclo
program - tarkomgning