



# HSC 635 45cm A+ Compact Multifunction Oven with HydrocleanPRO



44L



A Energy Class



Plus Extension  
Telescopic  
Guide



HydroClean

**DESCRIPTION**

45cm A+ Compact Multifunction Oven with HydrocleanPRO

**LIFE STYLE**

Total

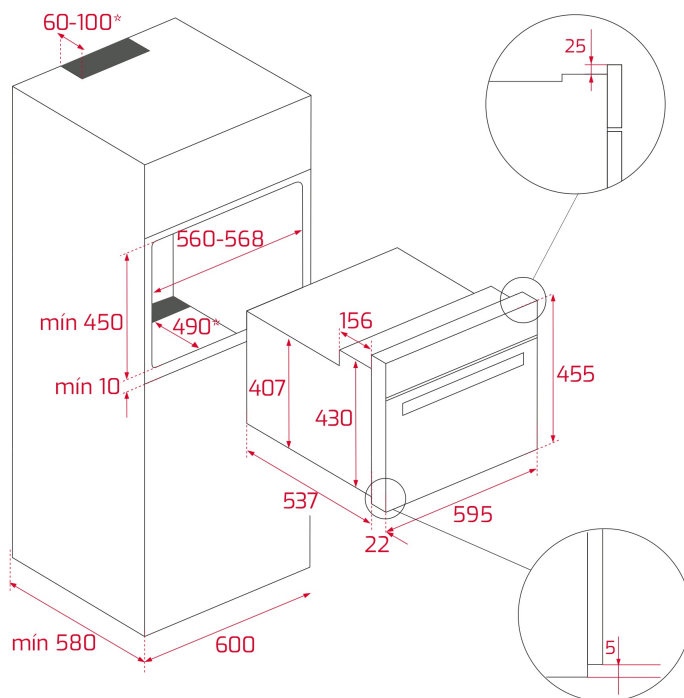
**COLOURS**

**REFERENCE**

REF. 41531030  
EAN. 8421152148464

**FEATURES**

Multifunction  
HydroClean® PRO cleaning system  
A+ Energy class: up to 20% less consumption  
Esmalte Slippery  
Capacity: 45/44 litres (gross/net)  
Touch Control panel with LED display  
8 cooking functions  
Express preheating function  
ECO and defrosting functions  
Children safety block  
Double removable glazed door  
Full glass inner door  
Drop down maxi grill  
Plus Extension telescopic guide easy slide  
Anti-tip deep tray and reinforced grid  
Dynamic ventilation  
Optional Muticook and cast aluminium tray



## DIMENSIONS

Product height (mm): 455

Product width (mm): 595

Product depth (mm): 537+22

Product length (mm):

Net weight (Kg): 25

## TECH SPECS

### PARTICULAR CHARACTERISTICS

**Certificates:** N / CE / CCA / CB/ EAC

**Number of cavities:** 1

**Type of inner light:** Halogen

**Inside light position:** Right top corner

**Enamelled cavity:** Yes

**Function selector:** 10+0

**Number of cooking functions:** 8

**Top function:** Yes

**Grill function:** Yes

**MaxiGrill function:** Yes

**Bottom function:** Yes

**ECO function:** Yes

**Mechanical quick heating:** Yes

**Touch Control Programmer:** Yes

**Knobs type:** MMX FIX KNOB knurling

**Removable chromed tray guides:** Yes

**Number of guide levels:** 3

**Easy slide telescopic guides:** Yes

**Drop-down grill:** Yes

**Number of guide levels (lower cavity):** 0

**ELECTRIC CONNECTION**

**Maximum Nominal Power (W):** 2615  
**Frequency (Hz):** 50/60  
**Power rate (V):** 220-240  
**Cable Connection Length (cm):** 110  
**Inside light Consumption (W):** 25

**ENERGY CONSUMPTION**

**Energy consumption per cycle in conventional mode (kWh):**  
0.77  
**Energy consumption per cycle in fan-forced convection mode (kWh):** 0,59  
**Bottom Heating Element (W):** 1150  
**Grill (W):** 1400  
**Maxi Grill (W):** 2500  
**Traditional (W):** 2550  
**Multifunction Turbo (W):** 22  
**Cooling Fan Motor (W):** 18

**SECURITY SYSTEM**

**Panel blocking system:** Yes  
**Grill protection:** Yes  
**Anti-tip tray system:** Yes  
**Safety Thermostat:** Yes  
**Full glazed doors:** 3

**CLEANING SYSTEM**

**Fingerprint proof stainless steel:** Yes  
**Crystal Clean Enamel (Slippery):** Yes  
**Hydroclean PRO:** Yes

**ACCESSORIES**

**Deep Tray (50 mm):** Yes  
**Standard grid:** Yes

**ENERGY EFFICIENCY**

**Energy Efficiency Class:** A+  
**Energy Efficiency Index (EEI):** 80,8

