



# HBC 625 P 45cm A+ Pyrolytic Compact Multifunction Oven



44L



A Energy Class



DualClean



HydroClean



Pyrolysis

**DESCRIPTION**

45cm A+ Pyrolytic Compact Multifunction Oven

**LIFE STYLE**

Easy

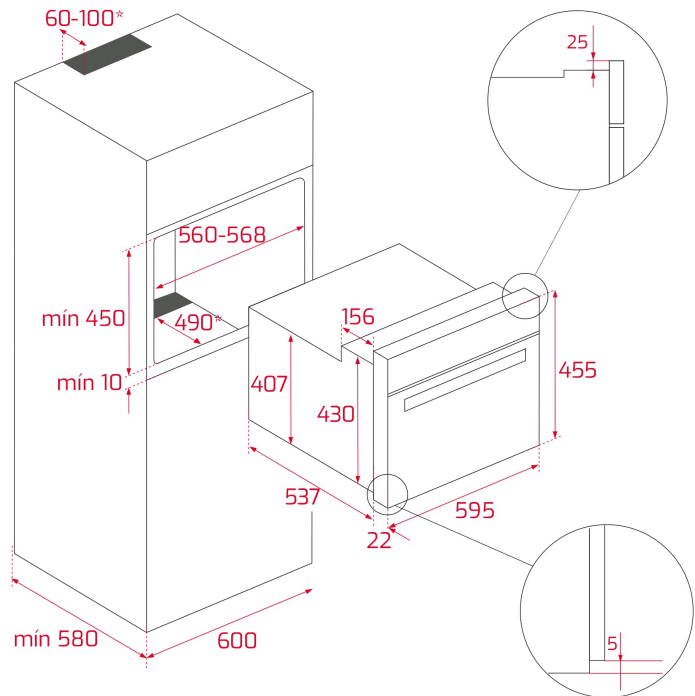
**COLOURS**

**REFERENCE**

REF. 41534010  
EAN. 8421152148679

**FEATURES**

Pyrolytic Multifunction  
DualClean cleaning system:Pyrolytic sefl-cleaning (3 levels)  
+HydroClean® PRO  
Esmalte Slippery  
A+ Energy class: up to 20% less consumption  
Capacity: 45/44 litres (gross/net)  
Touch Control panel with LED display  
8 cooking functions  
Express preheating function  
ECO and defrosting functions  
Children safety block, Minute minder and door  
Automatic disconnection security system  
Triple removable glazed door  
Full glass inner door  
Anti-tip deep tray and cooking grid  
Tangential ventilation Plus with 2 speeds



## DIMENSIONS

Product height (mm): 455

Product width (mm): 595

Product depth (mm): 537+22

Product length (mm):

Net weight (Kg): 27

## TECH SPECS

### PARTICULAR CHARACTERISTICS

**Certificates:** N / CE / CCA / CB

**Number of cavities:** 1

**Type of inner light:** Halogen

**Inside light position:** Right top corner

**Enamelled cavity:** Yes

**Function selector:** 11+0

**Number of cooking functions:** 8

**Top function:** Yes

**Grill function:** Yes

**MaxiGrill function:** Yes

**Bottom function:** Yes

**ECO function:** Yes

**Mechanical quick heating:** Yes

**Touch Control Programmer:** Yes

**Knobs type:** MMX FIX KNOB knurling

**Removable chromed tray guides:** Yes

**Number of guide levels:** 3

**Number of guide levels (lower cavity):** 0

### ELECTRIC CONNECTION

**Maximum Nominal Power (W):** 2515

## ENERGY CONSUMPTION

**Frequency (Hz):** 50/60  
**Power rate (V):** 220-240  
**Cable Connection Length (cm):** 110  
**Inside light Consumption (W):** 25

**Energy consumption per cycle in conventional mode (kWh):**  
0.77

**Energy consumption per cycle in fan-forced convection mode (kWh):** 0,59

**Bottom Heating Element (W):** 1050

**Grill (W):** 1400

**Grill (Lower Cavity) (W):** 0

**Maxi Grill (W):** 2450

**Traditional (W):** 1050

**Multifunction Turbo (W):** 25

**Cooling Fan Motor (W):** 30

## SECURITY SYSTEM

**Automatic disconnection when opening the door:** Yes

**Panel blocking system:** Yes

**Children safety block option:** Yes

**Grill protection:** Yes

**Anti-tip tray system:** Yes

**Safety Thermostat:** Yes

**Full glazed doors:** 3

## CLEANING SYSTEM

**Fingerprint proof stainless steel:** Yes

**Crystal Clean Enamel (Slippery):** Yes

**Hydroclean PRO:** Yes

**Pyrolytic:** Yes

**DualClean:** Yes

## ACCESSORIES

**Deep Tray (50 mm):** Yes

**Standard grid:** Yes

## ENERGY EFFICIENCY

**Energy Efficiency Class:** A+

**Energy Efficiency Index (EEI):** 80,8



HBC 625 P

ENERGY LABEL

