



iOVEN P A+ Pyrolytic Oven with 50 recipes and SteamBox



70L



DualClean



Full Extension
Telescopic
Guide



MeatProbe



HydroClean



Pyrolysis



SoftClose



SurroundTemp



The SteamBox
Included

DESCRIPTION

A+ Pyrolytic Oven with 50 recipes and SteamBox

LIFE STYLE

Maestro

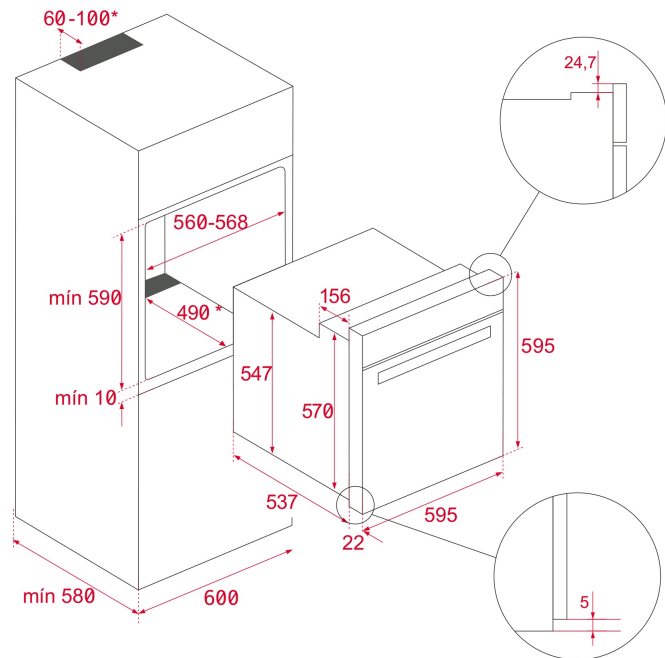
COLOURS

REFERENCE

REF. 11100000
EAN. 8434778000146

FEATURES

Multifunction SurroundTemp - 18 Cooking functions
DualClean cleaning system: Pyrolytic self-cleaning (3 levels) + HydroClean® PRO
A+ Energy class: up to 20% less consumption
Capacity, gross/net: 71/70 litres
TFT 5" true color Touch control
Cook personal assistant (50 recipes)
MeatProbe
SlowCook function: low temperature cooking
KeepWarm, bake bread, Quick heating, pizza, ferment, defrosting & ECO functions
Children safety block
Automatic disconnection security system
Quadruple glazed door
SoftClose door system
2 Plus-Extension telescopic guides, 5 cooking levels
The SteamBox included
Anti-tip deep & baking tray and 2 reinforced grids
Tangential ventilation with 2 speeds



DIMENSIONS

Product height (mm): 595

Product width (mm): 595

Product depth (mm): 537+22

Product length (mm):

Net weight (Kg): 40

TECH SPECS

PARTICULAR CHARACTERISTICS

Certificates: N / CE / CCA / CB/EAC/GMARK/SASO

Number of cavities: 1

Type of inner light: Halogen

Inside light position: RIGHT TOP CORNER

Enamelled cavity: Yes

Function selector: ELECTRONIC

Number of cooking functions: 18

Number of recipes: 50

Top function: Yes

Grill function: Yes

MaxiGrill function: Yes

Bottom function: Yes

Turbo function: Yes

ECO function: Yes

Bake bread function: Yes

Ferment function: Yes

Keeping warm: Yes

Automatic quick heating: Yes

Slow Cook: Yes

Removable chromed tray guides: Yes

Number of guide levels: 5

Full extension telescopic guides: Yes

ELECTRIC CONNECTION

Easy slide telescopic guides: Yes
Drop-down grill: Yes
SoftClose: Yes

Maximum Nominal Power (W): 3552
Frequency (Hz): 50/60
Power rate (V): 220-240
Cable Connection Length (cm): 150
Plug: Yes
Inside light Consumption (W): 25

ENERGY CONSUMPTION

Energy consumption per cycle in conventional mode (kWh):
0.95
Energy consumption per cycle in fan-forced convection mode (kWh): 0,68
Bottom Heating Element (W): 1050
Grill (W): 1400
Maxi Grill (W): 2450
Traditional (W): 2450
Turbo (W): 2000
Multifunction Turbo (W): 25
Cooling Fan Motor (W): 30

SECURITY SYSTEM

Automatic disconnection when opening the door: Yes
Panel blocking system: Yes
Children safety block option: Yes
Grill protection: Yes
Anti-tip tray system: Yes
Safety Thermostat: Yes
Full glazed doors: 4

CLEANING SYSTEM

Crystal Clean Enamel (Slippery): Yes
Hydroclean PRO: Yes
Pyrolitic: Yes
DualClean: Yes

ACCESSORIES

Baking Tray: 1
Deep Tray (50 mm): 1
The SteamBox: 1
Reinforced grid: 2
Meat Probe: 1

ENERGY EFFICIENCY

Energy Efficiency Class: A+
Energy Efficiency Index (EEI): 81



iOVEN P

ENERGY LABEL

The energy label for the TEKA iOVEN P oven features the following information:

- Top Header:** Includes the European Union flag, the word "ENERG" in large letters, and the Ukrainian text "енергія - енерґія" below it. To the right are two circular icons: "Y UA" and "IE IA".
- Brand and Model:** The TEKA logo is on the left, and the model name "iOVEN P" is on the right.
- Energy Efficiency Scale:** A vertical bar on the left shows efficiency levels from A+++ (dark green) at the top to D (red) at the bottom. A black arrow points to the A+ level.
- Capacity:** A laptop icon is shown with "70 L" written below it.
- Energy Consumption:** Two icons represent different modes: a top-down view of the oven with "0.91 kWh/cycle*" and a circular fan icon with "0.68 kWh/cycle*".
- Footnote:** A small line of text at the bottom reads: "*указані витрати потужності за один цикл роботи в режимі підігрівання - тільки в режимі підігрівання - тільки в режимі підігрівання - тільки в режимі підігрівання".
- Standard:** The number "65/2014" is printed at the very bottom.