



# HLC 8471 S 45 Multifunction Oven with HydroClean system and steamer



48L



SoftClose

**DESCRIPTION**

45 Multifunction Oven with HydroClean system and steamer

**LIFE STYLE**

Maestro

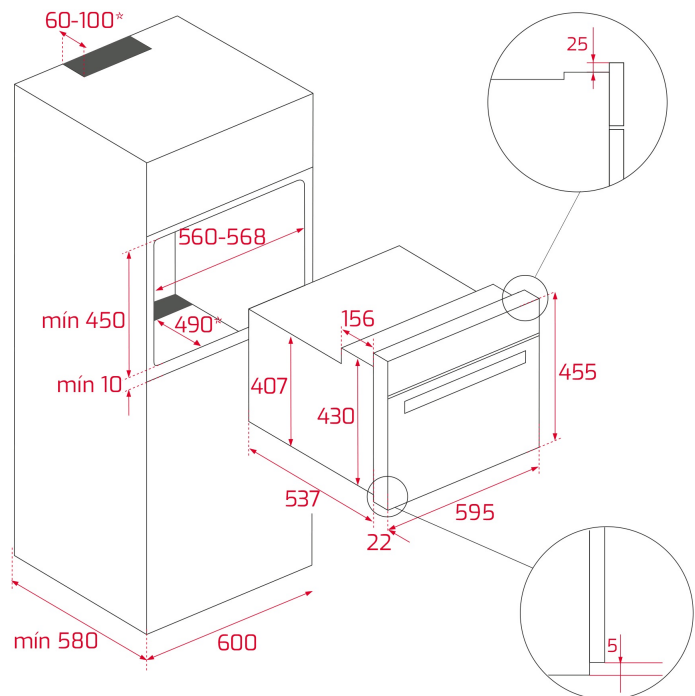
**COLOURS**

**REFERENCE**

REF. 111230001  
EAN. 8434778003550

**FEATURES**

Urban Colors Edition  
Steam oven  
True colour TFT 4 display with digital timer  
Steam cooking 30-100°C  
1 Plus-Extension telescopic guide, 5 cooking levels  
Personal cooking assistant (20 pre-programmed recipes)  
Automatic temperature and time suggestion for each function  
1 litre water tank  
Sterilization and regeneration functions  
MeatProbe  
Triple glazed door  
SoftClose system  
Door opening security disconnection  
Tangential ventilation  
2 Gastronorm with tray  
Deep tray, stainless steel perforated tray and reinforced grid (with anti-tip system)



## DIMENSIONS

**Product height (mm):** 455  
**Product width (mm):** 595  
**Product depth (mm):** 559  
**Product length (mm):**  
**Net weight (Kg):** 26,5

## TECH SPECS

### PARTICULAR CHARACTERISTICS

**Certificates:** CE/CB / CCC  
**Type of inner light:** Halogen  
**Inside light position:** upper rear right  
**Enamelled cavity:** Yes  
**Function selector:** ELECTRONIC  
**Number of cooking functions:** 1  
**Bottom function:** Yes  
**Knobs type:** MMX FIX KNOB  
**Ring illuminated:** Yes  
**Removable chromed tray guides:** Yes  
**Number of guide levels:** 5  
**Number of guide levels (lower cavity):** 0  
**Forced refrigeration tangential 1 speed:** Yes  
**SoftClose:** Yes

### ELECTRIC CONNECTION

**Maximum Nominal Power (W):** 3000  
**Frequency (Hz):** 50/60  
**Power rate (V):** 220-240  
**Cable Connection Length (cm):** 110  
**Plug:** Yes

## **ENERGY CONSUMPTION**

**Inside light Consumption (W):** 25

**Bottom Heating Element (W):** 1150

**Cooling Fan Motor (W):** 35

## **SECURITY SYSTEM**

**Automatic disconnection when opening the door:** Yes

**Panel blocking system:** Yes

**Children safety block option:** Yes

**Anti-tip tray system:** Yes

**Safety Thermostat:** Yes

**Full glazed doors:** 3

## **CLEANING SYSTEM**

**Fingerprint proof stainless steel:** Yes

**Crystal Clean Enamel (Slippery):** Yes

## **ACCESSORIES**

**Baking Tray:** Yes

**Reinforced grid:** Yes

