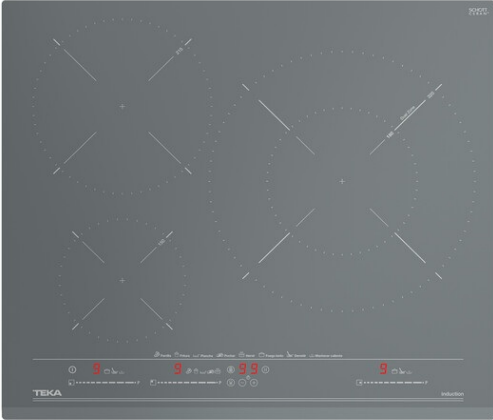




IZC 63632 ST MST MasterSense Series induction hob with direct functions and MultiSlider touch control



MultiSlider



Autolock



Power



Power Plus



Easy installation



Super Zone

DESCRIPTION

MasterSense Series induction hob with direct functions and MultiSlider touch control

COLOURS

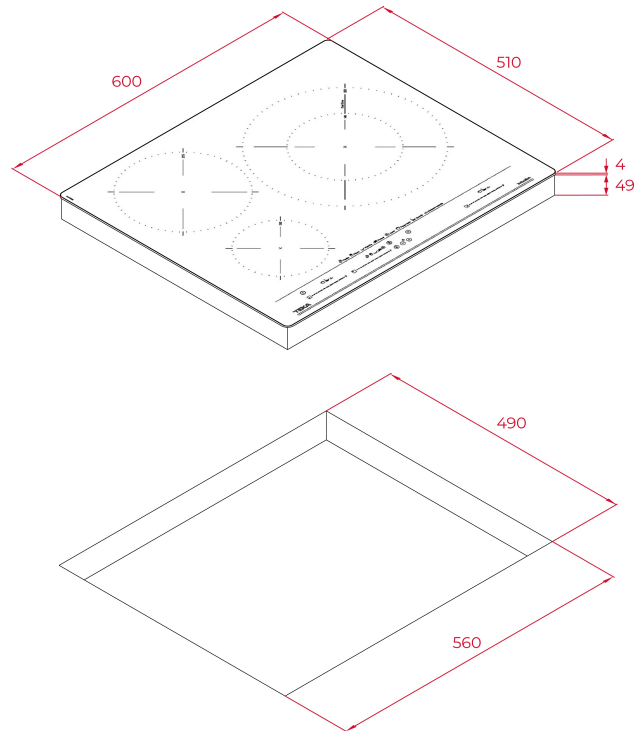


REFERENCE

REF. 112500015
EAN. 8434778011555

FEATURES

Urban Colors Edition
MasterSense Series
Induction hob
Direct functions with temperature sensors: Poaching, confit, grilling, pan frying, deep frying, quick boiling, simmering, melting and keep warm
Touch Control MultiSlider
3 cooking zones
1 zone Ø 320/180 mm
1 zone Ø 215 mm
1 zone Ø 150 mm
Ceramic glass surface
Auto-lock safety system
Cooking timer
Power plus
Child lock
Residual heat indicator
Power management
Easy installation kit
Maximum nominal power 7200 W
Optional: Grilling plate
Optional: Teppanyaki



DIMENSIONS

Product height (mm): 53
Product width (mm): 600
Product depth (mm): 510
Product length (mm):
Net weight (Kg): 10,7

TECHNICAL DETAILS

FITTING MEASURES

Built-in Width (mm): 560
Built-in Depth (mm): 490
Built-in height (mm): 49

FEATURES

Number of electric power levels: 9
Grilling: Yes
Pan frying: Yes
Deep frying: Yes
Simmering: Yes
Melting: Yes
Keeping warm: Yes
Poach: Yes
Power management function: Yes

ELECTRIC CONNECTION

Frequency (Hz): 50/60
Power rate (V): 220-240
Cable Connection Length (cm): 110
Maximum Nominal Power (W) (Electric hob): 7200

COOKING ZONES

Cooking Zones: 3

SAFETY SYSTEMS

Residual heat indicator (Gas): Yes

Residual heat indicator (Electric hob): Yes

Automatic safety disconnection (Auto Lock) (Electric hob): Yes

Child lock: Yes

FINISH

Surface finishing: Front bevelled glass

Surface type: Ceramic Glass (4mm)

Easy installation system: Yes

ACCESSORIES

Junction Kit: Optional

Teppan Yaki: Optional

