



# RBF 78615 RTR American Retro Fridge LongLife No Frost with IonClean



Motor Inverter



Eco Function



IonClean Technology



LED



LongLife No Frost



Vitacare Box



Zero Box



22L

**DESCRIPTION**

American Retro Fridge LongLife No Frost with IonClean

**LIFE STYLE**

Maestro

**COLOURS**



**REFERENCE**

REF. 113400011  
EAN. 8434778017502



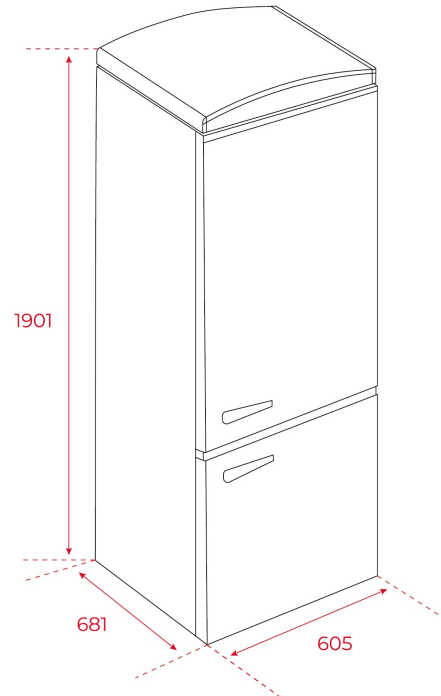
## RBF 78615 RTR

### FEATURES

Free Standing bottom freezer refrigerator  
LongLife No Frost with 2 independent circuits  
IonClean technology  
Electronic adjustable thermostat  
VitaCare Box drawer + ZeroBox drawer  
Safety glass shelves  
On holidays function  
Fast freezing function  
Flexi rack  
Front adjustable feet  
ECO Function  
LED Illumination  
Climate class: T/SN  
Total capacity (gross/net): 341 / 324 litres  
Bottle rack and ice cube tray included

## DIMENSIONS

**Product height (mm):** 1901  
**Product width (mm):** 605  
**Product depth (mm):** 681  
**Product length (mm):**  
**Net weight (Kg):** 75



## TECH SPECS

### FITTING MEASURES

**Built-in height (mm):** 1901

### PRODUCT SHEET

**Cooling system:** LongLife No Frost  
**No Frost In Refrigerator Compartment:** Yes  
**No Frost in chiller:** Yes  
**No Frost in freezer compartment:** Yes  
**Total gross capacity (litres):** 341  
**Refrigerator compartment capacity (litres):** 230  
**Chilling Compartment Capacity (litres):** 22  
**Freezer compartment capacity (litres):** 94  
**Freezer classification:** 4  
**Freezing capacity:** 8,0  
**Annual Consumption (kWh/year):** 250  
**Temperature Rise Time (h):** 10  
**Climate class:** SN/T  
**Noise level (dB):** 41

### POWER SUPPLY

**Frequency (Hz):** 50  
**Power rate (V):** 220-240

## **PARTICULAR CHARACTERISITICS**

**Power rate (W):** 197  
**Defrost element power (W):** 145  
**Energy consumption (kw/day):** 0,72  
**Plug type:** EU F TYPE  
**Inside light Consumption (W):** 2

**Type of installation:** Free standing  
**Automatic defrosting in the refrigeration compartment:** Yes  
**Automatic defrosting in the freezer compartment:** Yes  
**Electronic control:** Yes  
**Control panel:** ELECTRONIC  
**Electronic adjustable thermostat:** Yes  
**Antibacterial treatment:** IonClean  
**Cooling set button:** Yes  
**Fast freezing:** Yes  
**ECO function:** Yes  
**Inner light:** Yes  
**Type of inner light:** SIDE LED  
**External handle:** Yes

## **CONTROL INDICATOR LIGHTS**

**Operating light fridge:** Yes  
**Fast freezing indicator:** Yes  
**Acoustic alarm:** Yes

## **EQUIPMENT**

**Antibacterial gasket:** Yes  
**Multipurpose compartment:** NO  
**Ice cubes tray:** 1  
**Bottle rack type:** CHROMED  
**FlexiRack:** Yes  
**Adjustable Feet Back:** Yes  
**Adjustable feet front:** Yes  
**Refrigerator adjustable shelves:** Yes  
**Vegetable drawers:** 2



RBF 78615 RTR

ENERGY LABEL

