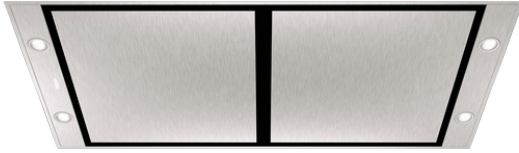


REFERENCE

REF: 40484180

EAN: 8421152145890

FEATURES

Remote Control



LED

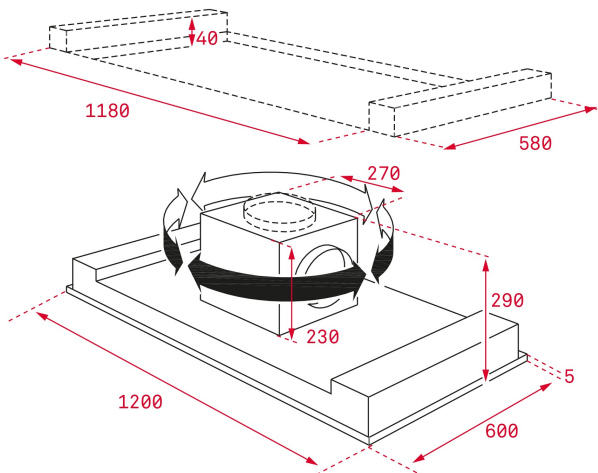


Perimeter extraction



Stop Delay Timer

Decorative island hood
 Push buttons control
 Rim extraction
 Remote control
 3 speeds + 1 intensive
 Free Outlet exhaust capacity (m3/h): 920
 Max speed exhaust capacity (m3/h): 631
 Min speed exhaust capacity (m3/h): 315
 Intensive speed exhaust capacity (m3/h): 807
 Intensive speed sound level (dBA): 66
 Max speed sound level (dBA): 60
 Min speed sound level (dBA): 47
 4 LED lamps
 4 Aluminum filter
 Stop delay timer
 Filter saturation indicator
 Operating pilot light
 Anti-return valve included
 Outlet reduction included
 Optional recirculation kit with tube cover installation: ZUB 9015

**DIMENSIONS****Product height (mm):** 305**Product width (mm):** 1200**Product depth (mm):** 600**Product length (mm):****Net weight (Kg):** 27,9**TECHNICAL DETAILS**

Energy Efficiency Class: A

Noise (LwA) Min Speed (dB): 47

Noise (LwA) Max Speed (dB): 60

Noise (LwA) Boost Speed (dB): 66

Ø Outlet (mm): 150

COLOURS

40484180

Stainless steel