

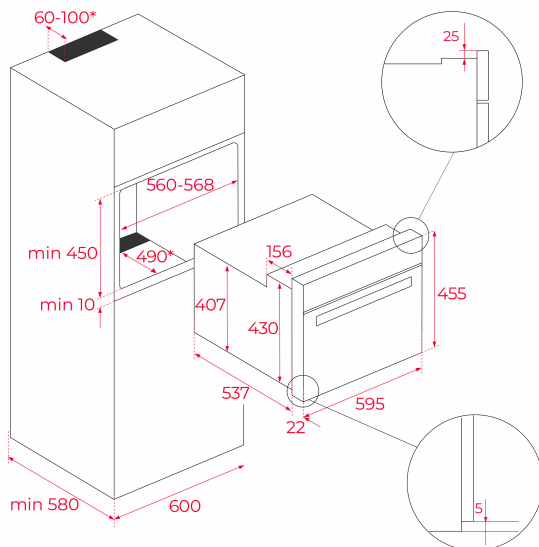
TEKA

HSC 644 S

Full Steam compact oven with electronic timer



48L



REFERENCE

REF: 41591750

EAN: 8421152145432

FEATURES

Steam oven

Temperature range 50-100 °C

1 litre water tank

Touch control display with knobs

Electronic timer (Delay/Start function)

Chrome supports with 5 cooking levels

Removable triple glazed door

Automatic disconnection security system

Children safety lock

Anti-tip deep tray, anti-tip gastronorm tray and special grid for perforated tray

Capacity (gross/net): 49 / 48 litres

DIMENSIONS

Product height (mm): 455**Product width (mm):** 595**Product depth (mm):** 559**Product length (mm):****Net weight (Kg):** 26,5

TECHNICAL DETAILS

Energy Efficiency Class: -

Power rate (V): 220-240

Frequency (Hz): 50/60

Maximum Nominal Power (W): 2300

COLOURS



41591750

Stainless steel