

**Stone 45 S-TG 1B 1D**

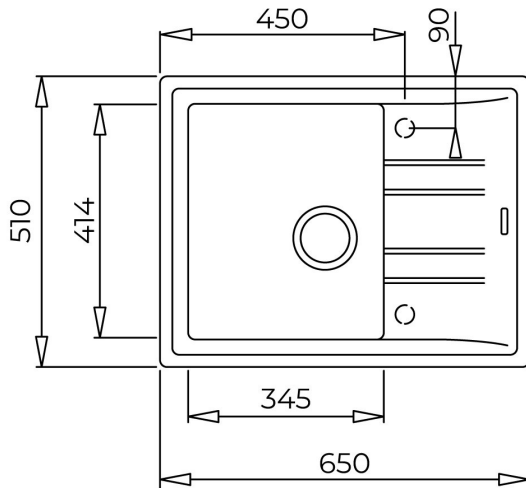
Inset Tegrinite sink with one bowl and one drainer

200mm  
depthColour  
Intensity

Easy Clean



Food safe

High  
resistance**REFERENCE**

REF: 115330053

EAN: 8434778006612

**FEATURES**

Stone Series

Tegrinite+ sink

One bowl and one drainer

High resistance surface to impacts, thermal shocks and high temperatures

Excellent UV resistance against decoloring

Bacteria-free surface very easy to clean

Inset installation

80% quartz and resins

3½" automatic basket waste with siphon

200 mm deep bowl

45 cm base unit

**DIMENSIONS****Product height (mm):****Product width (mm):** 510**Product depth (mm):** 200**Product length (mm):** 650**Net weight (Kg):** 10,5**COLOURS**

	115330053	Topasbeige
	115330049	Dark grey
	115330049	White
	115330049	Metallic black
	115330049	Sandbeige
	115330049	Carbon
	115330049	Metallic grey