

REFERENCE

REF: 115260020

EAN: 8434778006759

FEATURES

ForSquare Series
 Tegrinite+ sink
 2 bowls
 High resistance surface to impacts, thermal shocks and high temperatures
 Excellent UV resistance against decoloring
 Bacteria-free surface very easy to clean
 Inset installation
 80% quartz and resins
 3½" automatic basket waste with siphon
 200 and 155 mm deep bowls
 60 cm base unit

200mm
depthColour
Intensity

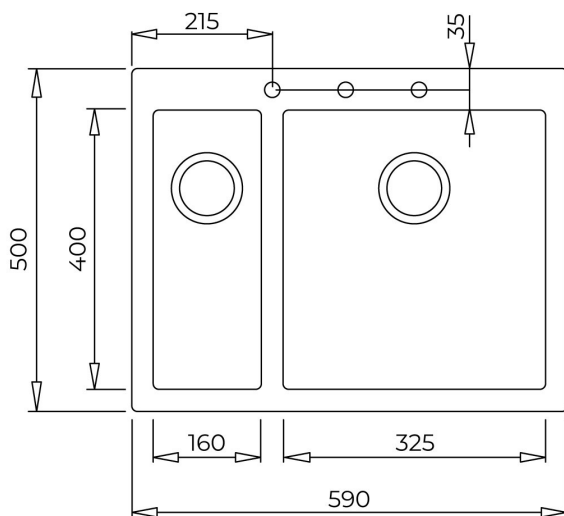
Easy Clean



Food safe

High
resistance

DIMENSIONS

Product height (mm):**Product width (mm):** 500**Product depth (mm):** 200**Product length (mm):** 590**Net weight (Kg):** 11,3

COLOURS

	115260020	Stone grey
	115260019	Artic white
	115260019	Bright cream
	115260019	Avena beige
	115260019	Black