



**TNF 450 EU INOX** Free-standing No Frost Larder in 185cm with 1 door and electronic control



Motor Inverter



Fresh Box



LED

**DESCRIPTION**

Free-standing No Frost Larder in 185cm with 1 door and electronic control

**LIFE STYLE**

Maestro

**COLOURS**



**REFERENCE**

REF. 40660020  
EAN. 8421152146392

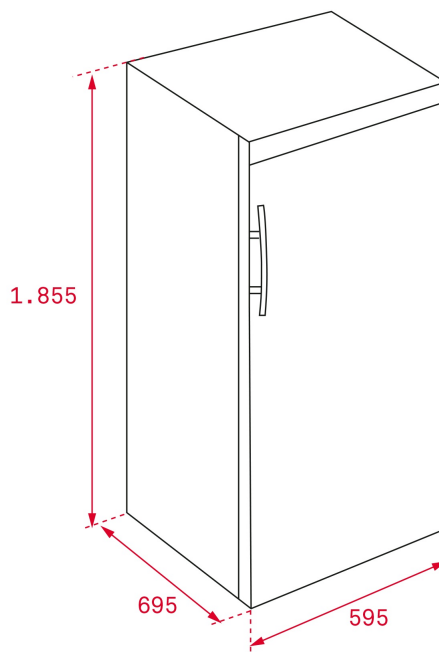


**TEKA**

**TNF 450 EU INOX**

**FEATURES**

Free standing Larder  
No Frost  
Electronic control panel  
Display on top trim  
Stainless steel finishing  
LED illumination  
Antibacterial gasket  
Safety glass shelves  
5 removable balconies  
2 FreshBox drawers  
Chromed bottle rack  
Climate Class : SN-T  
Total gross capacity: 355 litres  
Net capacity: 350 litres



## DIMENSIONS

**Product height (mm):** 1855

**Product width (mm):** 595

**Product depth (mm):** 695

**Product length (mm):**

**Net weight (Kg):** 65

## TECH SPECS

### FITTING MEASURES

**Built-in Width (mm):** 0

**Built-in Depth (mm):** 0

**Built-in Height (mm):** 0

### PRODUCT SHEET

**Cooling system:** Defrost

**No Frost In Refrigerator Compartment:** Yes

**Total gross capacity (litres):** 355

**Refrigerator compartment capacity (litres):** 345

**Annual Consumption (kWh/year):** 112

**Climate class:** SN/N/ST/T

**Noise level (dB):** 41

**Certificates:** CE, TUV, GS

### POWER SUPPLY

**Frequency (Hz):** 50

**Power rate (V):** 220-240

**Power rate (W):** 84

**Energy consumption (kw/day):** 0,31

**PARTICULAR  
CHARACTERISTICS**

**Type of installation:** Free standing  
**Automatic defrosting in the refrigeration compartment:** Yes  
**Electronic adjustable thermostat:** Yes  
**Fingerprint proof door:** Yes  
**Antibacterial treatment:** NO  
**Cooling set button:** Yes  
**Inner light:** Yes  
**Type of inner light:** LED  
**Reversible doors:** Yes  
**External handle:** Yes

**CONTROL INDICATOR LIGHTS**

**Operating light fridge:** Yes  
**Acoustic alarm:** Yes

**EQUIPMENT**

**Multipurpose compartment:** NO  
**Bottle rack type:** CHROMED  
**Adjustable feet front:** Yes  
**Roller (rear):** Yes  
**Vegetable drawers:** 2  
**Temperature and humidity regulation in drawers:** FRESH BOX

**PRODUCT INFORMATION  
SHEET (UE) 2019/2016**

**Supplier name or trademark:** TEKA  
**Supplier's address:** C/Cajo, 17, 39011, Santander , Spain  
**Model identifier:** TNF 450 EU INOX

**Type of refrigerating appliance**

**Low-noise appliance:** 0  
**Design type:** Free standing  
**Wine storage appliance:** 0  
**Other refrigerating appliance:** 1

**Overall dimensions (mm)**

**Height:** 1855  
**Width:** 595  
**Depth:** 635  
**Total volume (dm<sup>3</sup> or l):** 350  
**Energy efficiency class:** E  
**Airborne acoustical noise emission class:** C  
**Annual energy consumption (kWh/a):** 116  
**Climate class:** SN/N/ST/T  
**Minimum ambient temperature (°C), for which the refrigerating appliance is suitable:** 10  
**Maximum ambient temperature (°C), for which the refrigerating appliance is suitable:** 43  
**Compartment 1:** FRESH FOOD  
**Compartment 1 - Compartment Volume (l):** 350  
**Compartment 1 - Recommended temperature setting for optimised food storage (°C):** 4  
**Compartment 1 - Freezing capacity (kg/24h):** NA  
**Compartment 1 - Defrosting type:** A  
**Compartment 1 - Target temperature (°C):** NA  
**Compartment 1 - Thermodynamic parameter (rc):** NA  
**Compartment 1 - Nc:** NA  
**Compartment 1 - Mc:** NA  
**Compartment 1 - Defrost factor (Ac):** NA  
**Compartment 1 - Built-in factor (Bc):** NA  
**Compartment 2:** NA  
**Compartment 2 - Compartment Volume (l):** NA  
**Compartment 2 - Recommended temperature setting for optimised food storage (°C):** NA  
**Compartment 2 - Freezing capacity (kg/24h):** NA

**Compartment 2 - Defrosting type:** NA  
**Compartment 2 - Target temperature (°C):** NA  
**Compartment 2 - Thermodynamic parameter (rc):** NA  
**Compartment 2 - Nc:** NA  
**Compartment 2 - Mc:** NA  
**Compartment 2 - Defrost factor (Ac):** NA  
**Compartment 2 - Built-in factor (Bc):** NA  
**Compartment 3:** NA  
**Compartment 3 - Compartment Volume (l):** NA  
**Compartment 3 - Recommended temperature setting for optimised food storage (°C):** NA  
**Compartment 3 - Freezing capacity (kg/24h):** NA  
**Compartment 3 - Defrosting type:** NA  
**Compartment 3 - Target temperature (°C):** NA  
**Compartment 3 - Thermodynamic parameter (rc):** NA  
**Compartment 3 - Nc:** NA  
**Compartment 3 - Mc:** NA  
**Compartment 3 - Defrost factor (Ac):** NA  
**Compartment 3 - Built-in factor (Bc):** NA  
**Compartment 4:** NA  
**Compartment 4 - Compartment Volume (l):** NA  
**Compartment 4 - Recommended temperature setting for optimised food storage (°C):** NA  
**Compartment 4 - Freezing capacity (kg/24h):** NA  
**Compartment 4 - Defrosting type:** NA  
**Compartment 4 - Target temperature (°C):** NA  
**Compartment 4 - Thermodynamic parameter (rc):** NA  
**Compartment 4 - Nc:** NA  
**Compartment 4 - Mc:** NA  
**Compartment 4 - Defrost factor (Ac):** NA  
**Compartment 4 - Built-in factor (Bc):** NA  
**Compartment 5 - Type:** NA  
**Compartment 5 - Compartment Volume (l):** NA  
**Compartment 5 - Recommended temperature setting for optimised food storage (°C):** NA  
**Compartment 5 - Freezing capacity (kg/24h):** NA  
**Compartment 5 - Defrosting type:** NA  
**Compartment 5 - Target temperature (°C):** NA  
**Compartment 5 - Thermodynamic parameter (rc):** NA  
**Compartment 5 - Nc:** NA  
**Compartment 5 - Mc:** NA  
**Compartment 5 - Defrost factor (Ac):** NA  
**Compartment 5 - Built-in factor (Bc):** NA

#### Light source parameters

**Light source - Type of light source:** LED (exempt type)  
**Light source - Energy efficiency class:** NA  
**Minimum duration of the guarantee offered by the manufacturer (b):** 24 months

#### Light source parameters

**Light source - Type of light source:** LED (exempt type)  
**Light source - Energy efficiency class:** NA  
**Minimum duration of the guarantee offered by the manufacturer (Years) (b):** 24 months

#### Additional information:

Weblink to the manufacturer's website, where the information in point 4(a) Annex of Commission Regulation (EU) 2019/2019 (1) (b) is found:  
(a) as determined in accordance with Commission Delegated Regulation (EU) 2019/2015 (2).  
(b) changes to these items shall not be considered relevant for the purposes of point 4 of Article 4 of Regulation (EU) 2017/1369.  
(c) if the product database automatically generates the definitive content of this cell the supplier shall not enter these data.

(1) Commission Regulation (EU) 2019/2019 of 1 October 2019 laying down ecodesign requirements for refrigerating appliances pursuant to Directive 2009/125/EC of the European Parliament and of the Council and repealing Commission Regulation (EC) No 643/2009 (see page 187 of this Official Journal).(2)

(2) Commission Delegated Regulation (EU) 2019/2015 of 11 March 2019 supplementing Regulation (EU) 2017/1369 of the European Parliament and of the Council with regard to energy labelling of light sources and repealing Commission Delegated Regulation (EU) No 874/2012 (see page 68 of this Official Journal).



# TNF 450 EU INOX

## ENERGY LABEL

